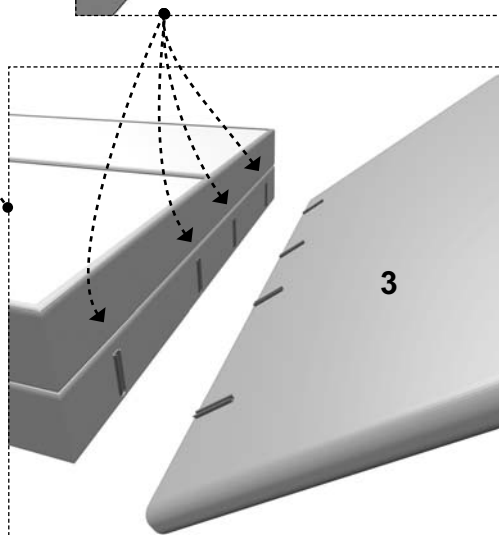
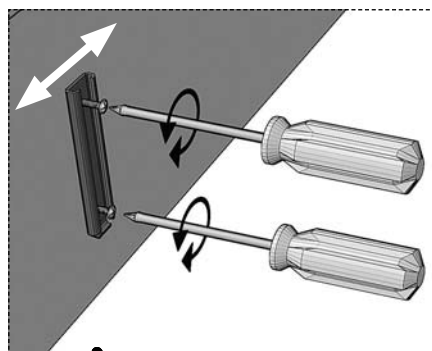
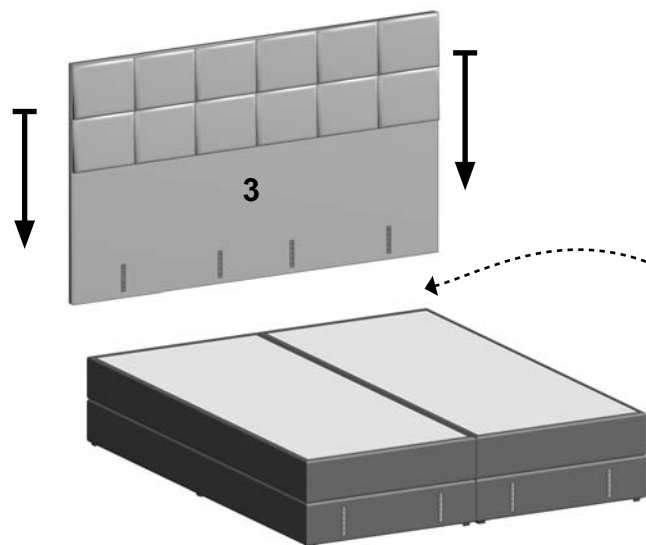
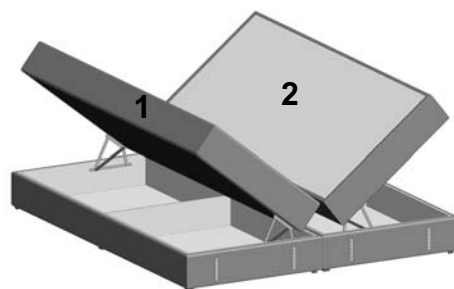
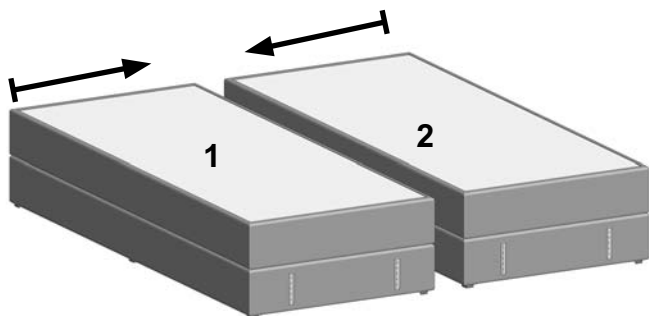
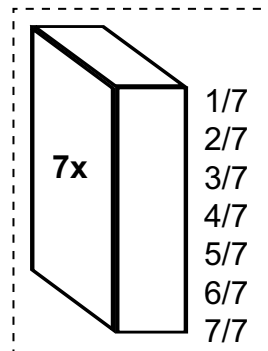
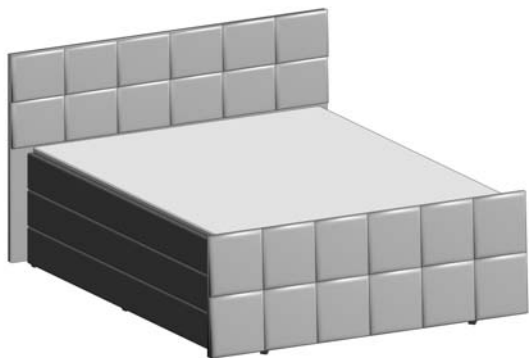


# SACRAMENTO B1, B2, B3

20151222



# SACRAMENTO B1, B2, B3

20151222

