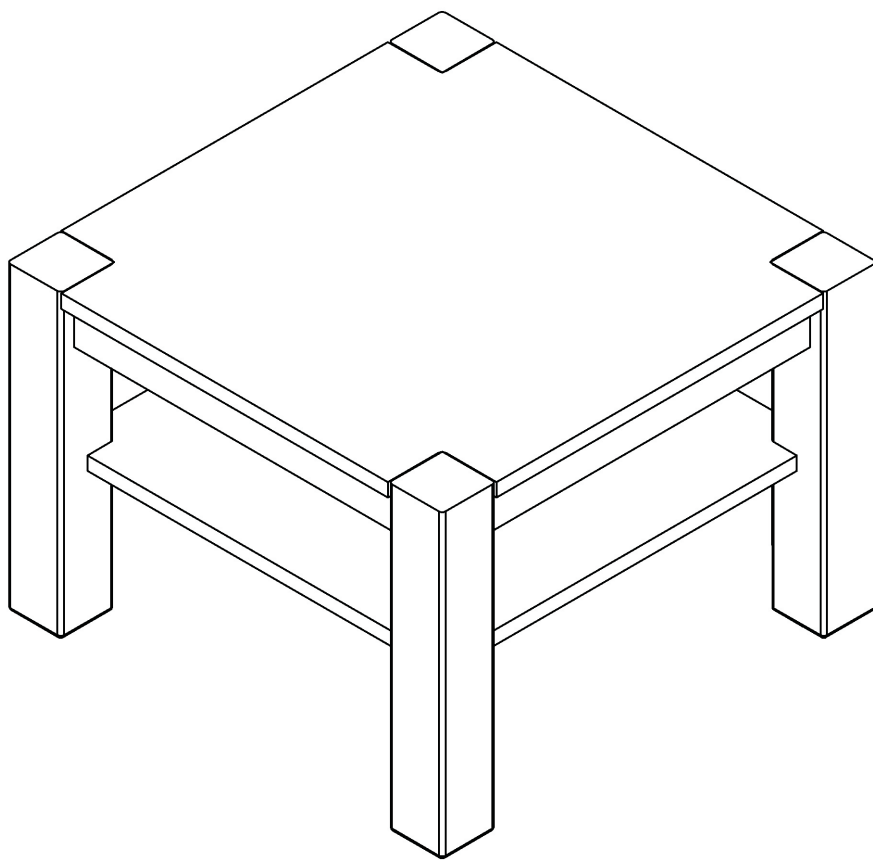
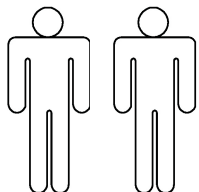
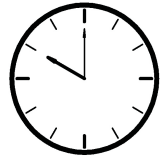
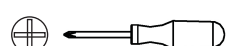
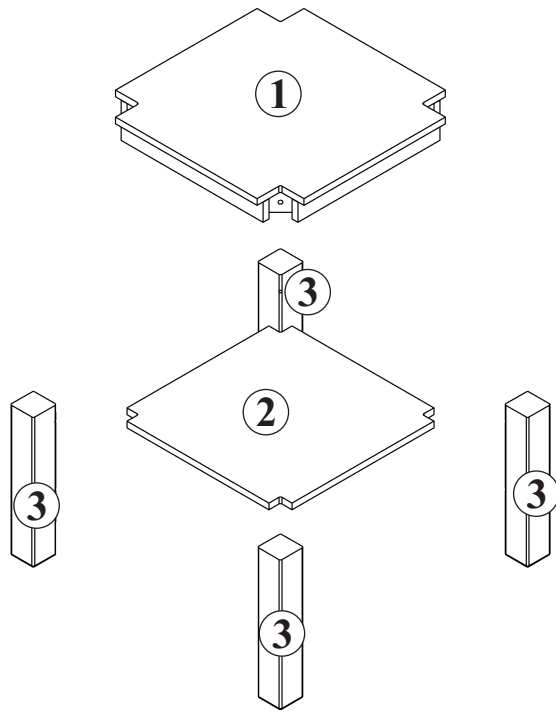


MONTAGE INFORMATION
COUCHTISCH "PETER" 58705_KB2



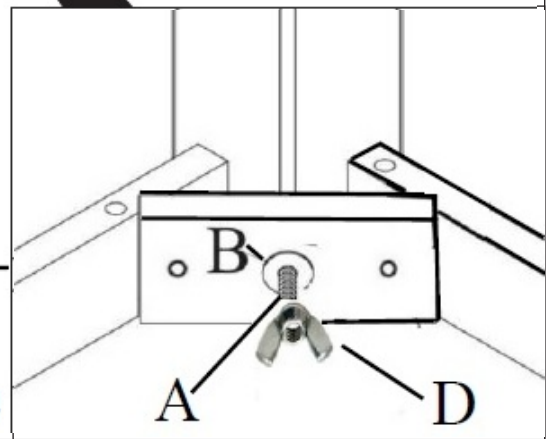
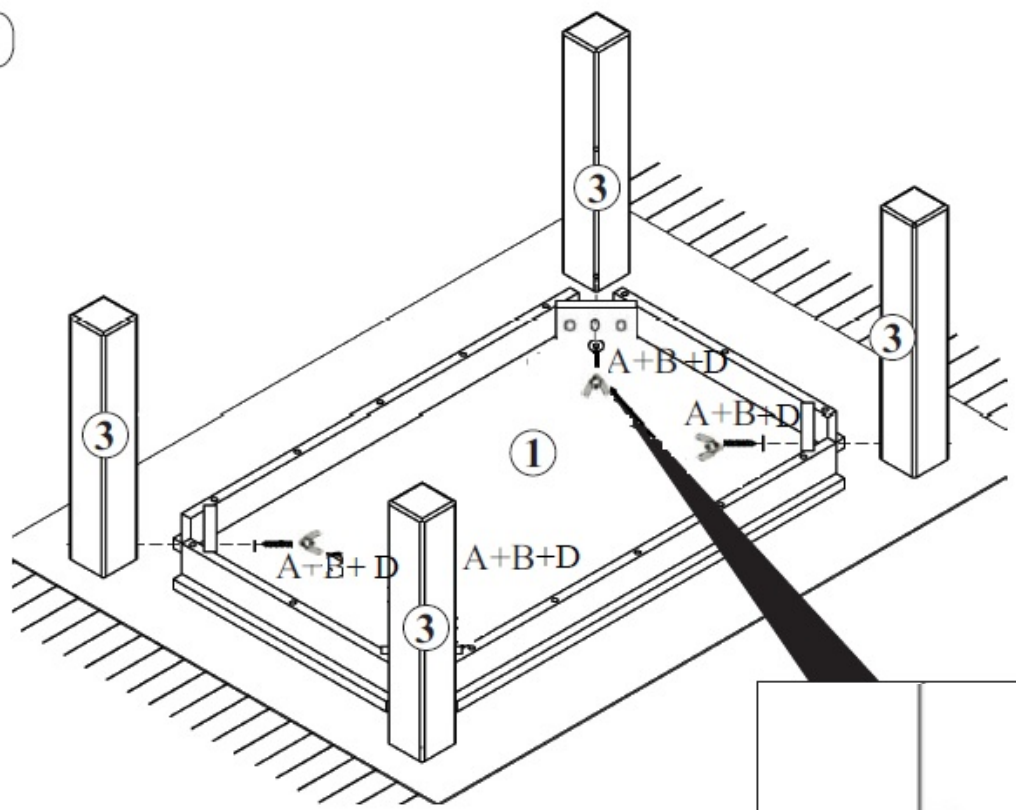
	 10min
	



3	450x80x80	4x
2	570x570x20	1x
1	650x650x20	1x

<p>A</p> <p>$\Phi 8 \times 70 \text{ mm}$ x 4</p>	<p>B</p> <p>M8 x 4</p>	<p>C</p> <p>$\Phi 8 \times 35 \text{ mm}$ x 4</p>	<p>D</p> <p>x 4</p>
---	---------------------------	---	---------------------

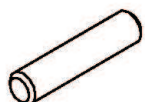
1



<p>A</p> <p>$\Phi 8 \times 70 \text{ mm}$ x 4</p>	<p>B</p> <p>M8 x 4</p>	<p>D</p> <p>x 4</p>
---	---------------------------	---------------------

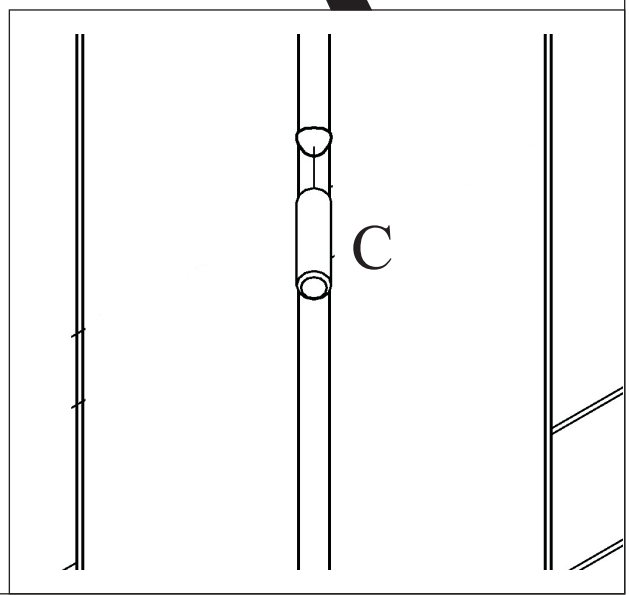
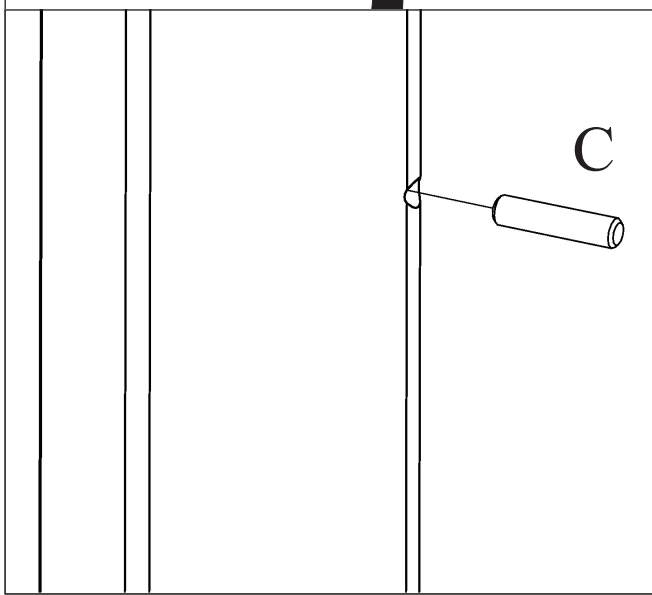
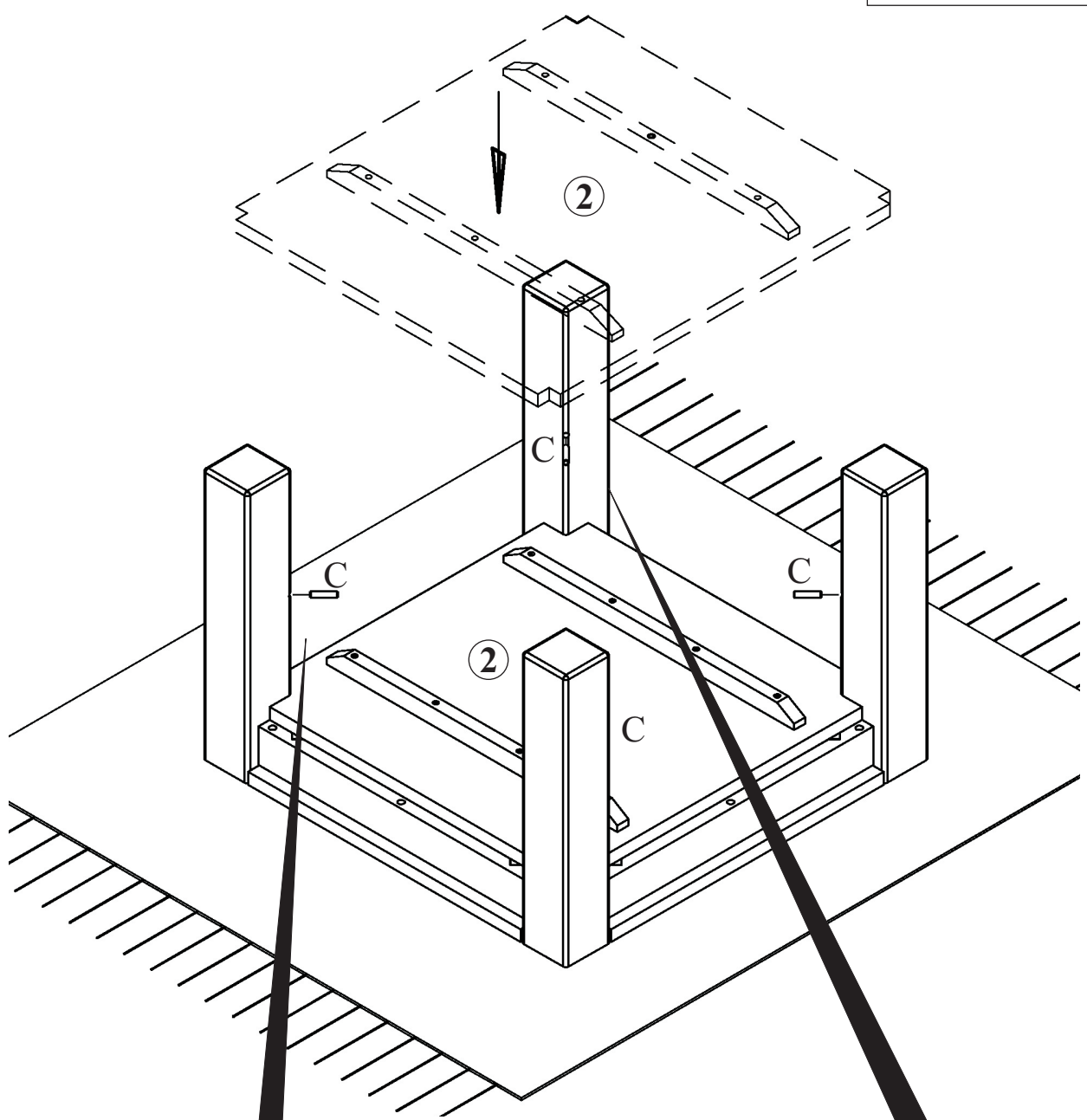
2

C



Φ8x35 mm

X 4



3

