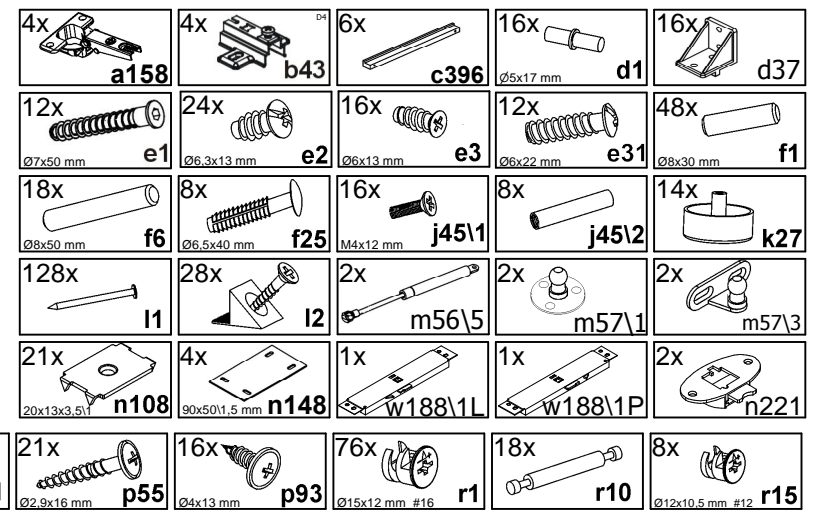
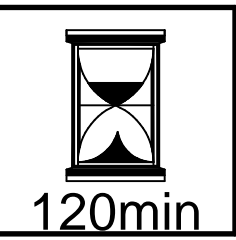
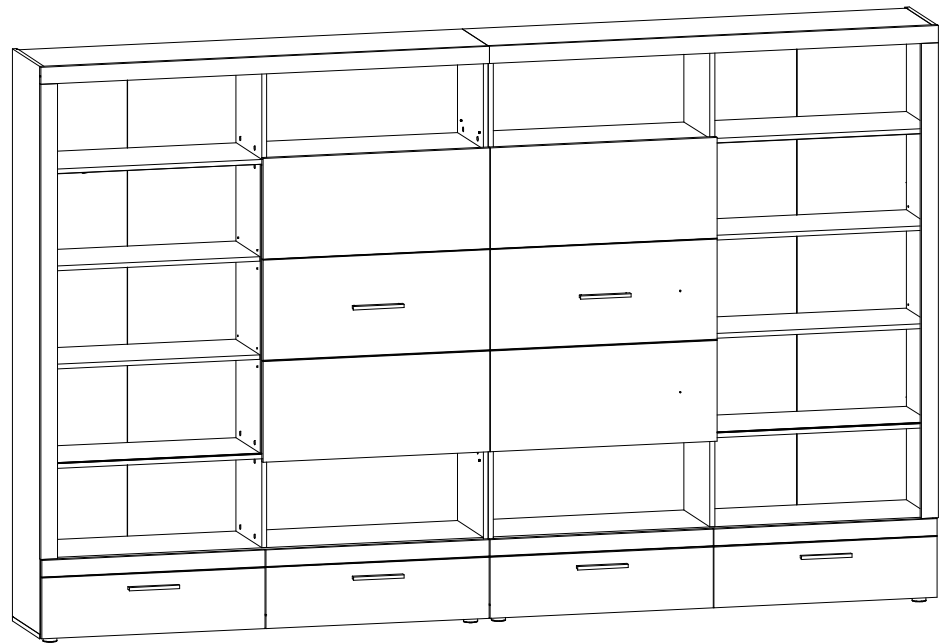
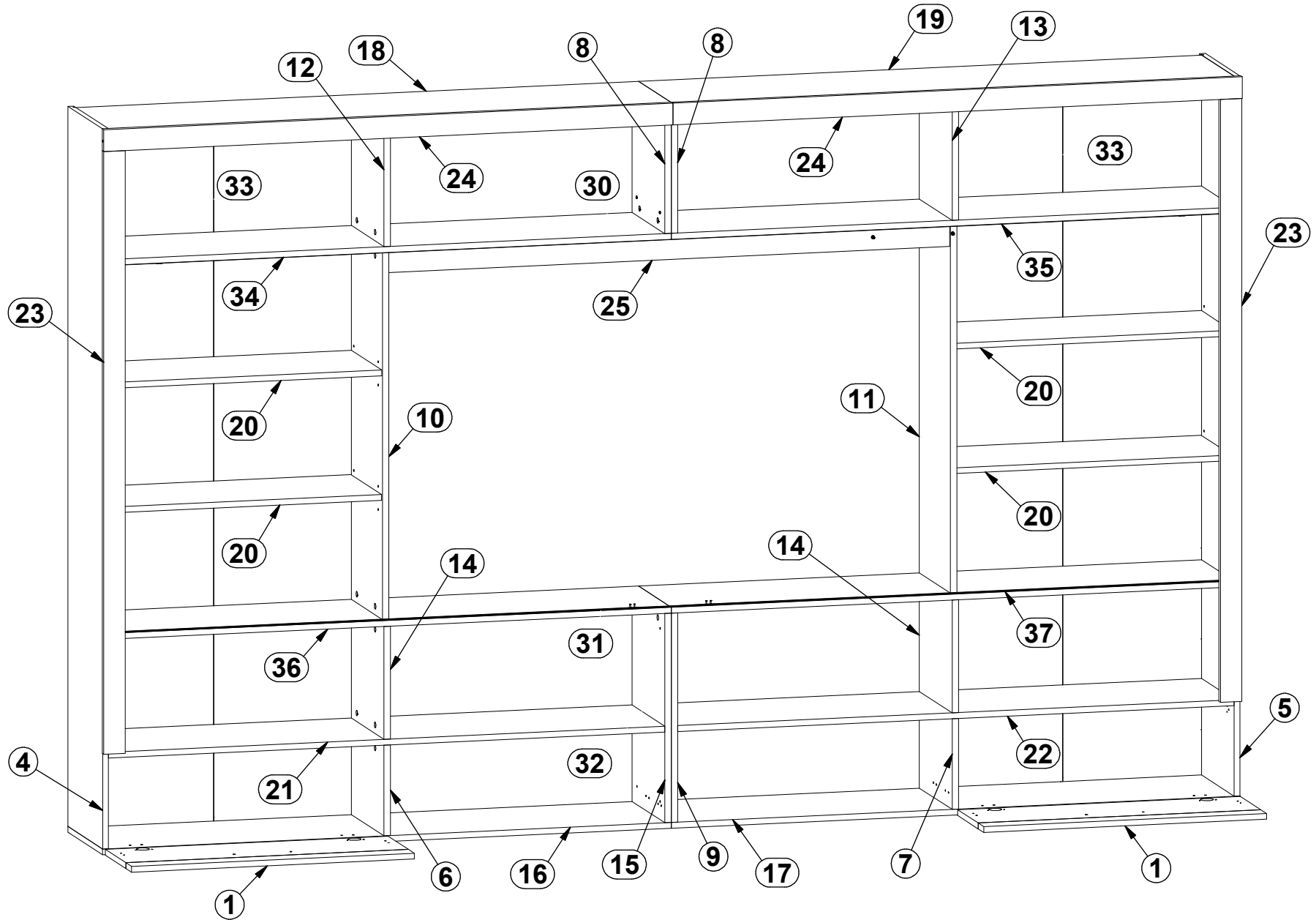
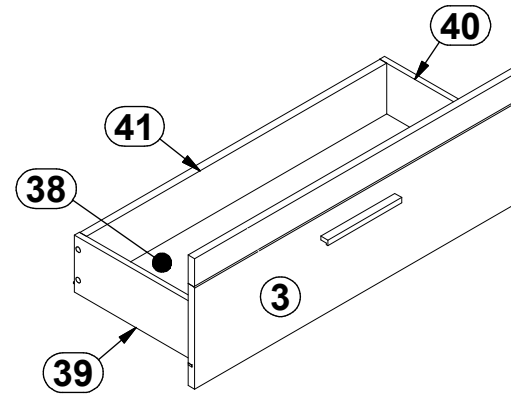
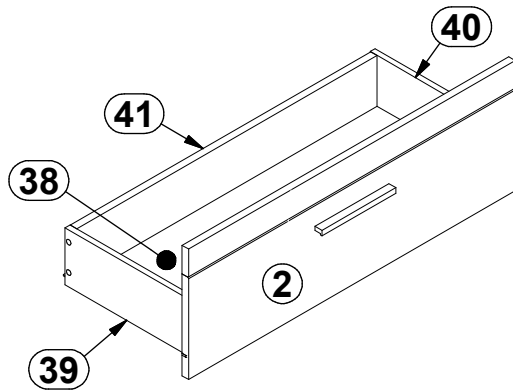
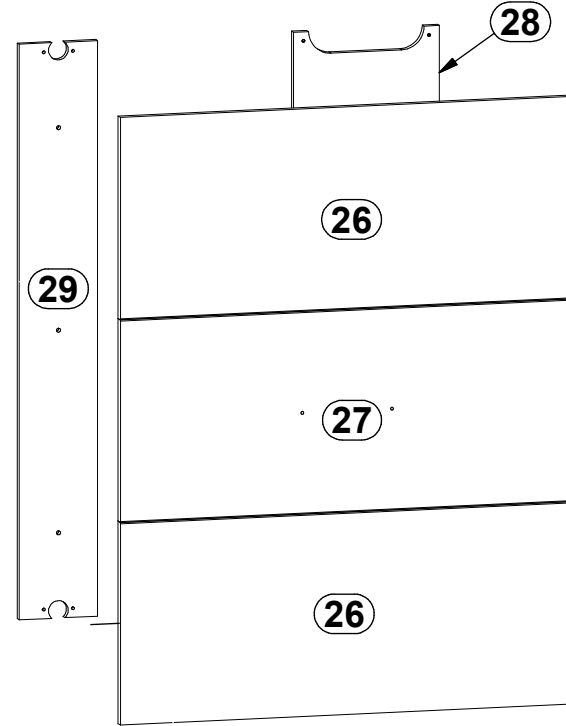
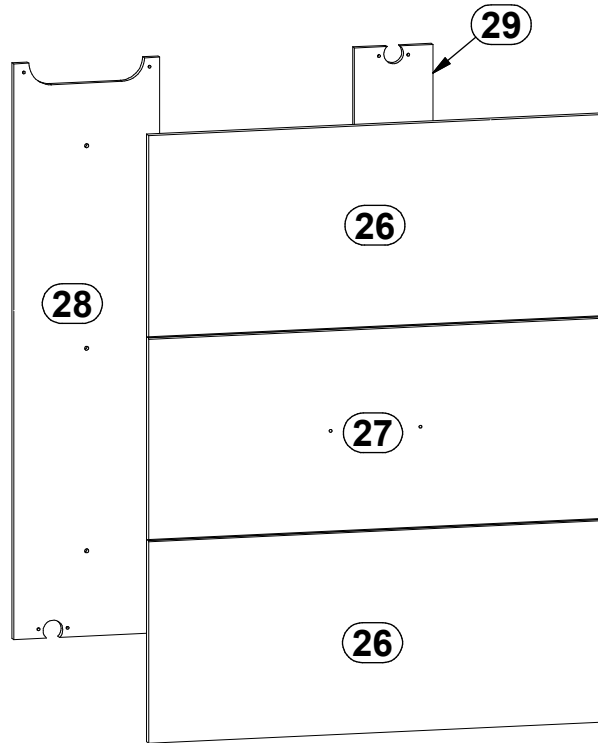


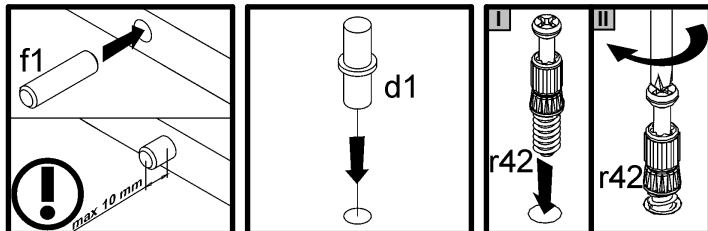
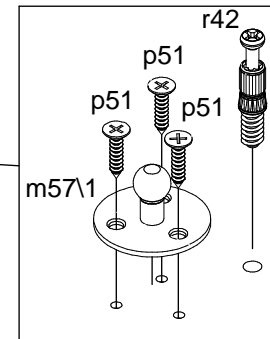
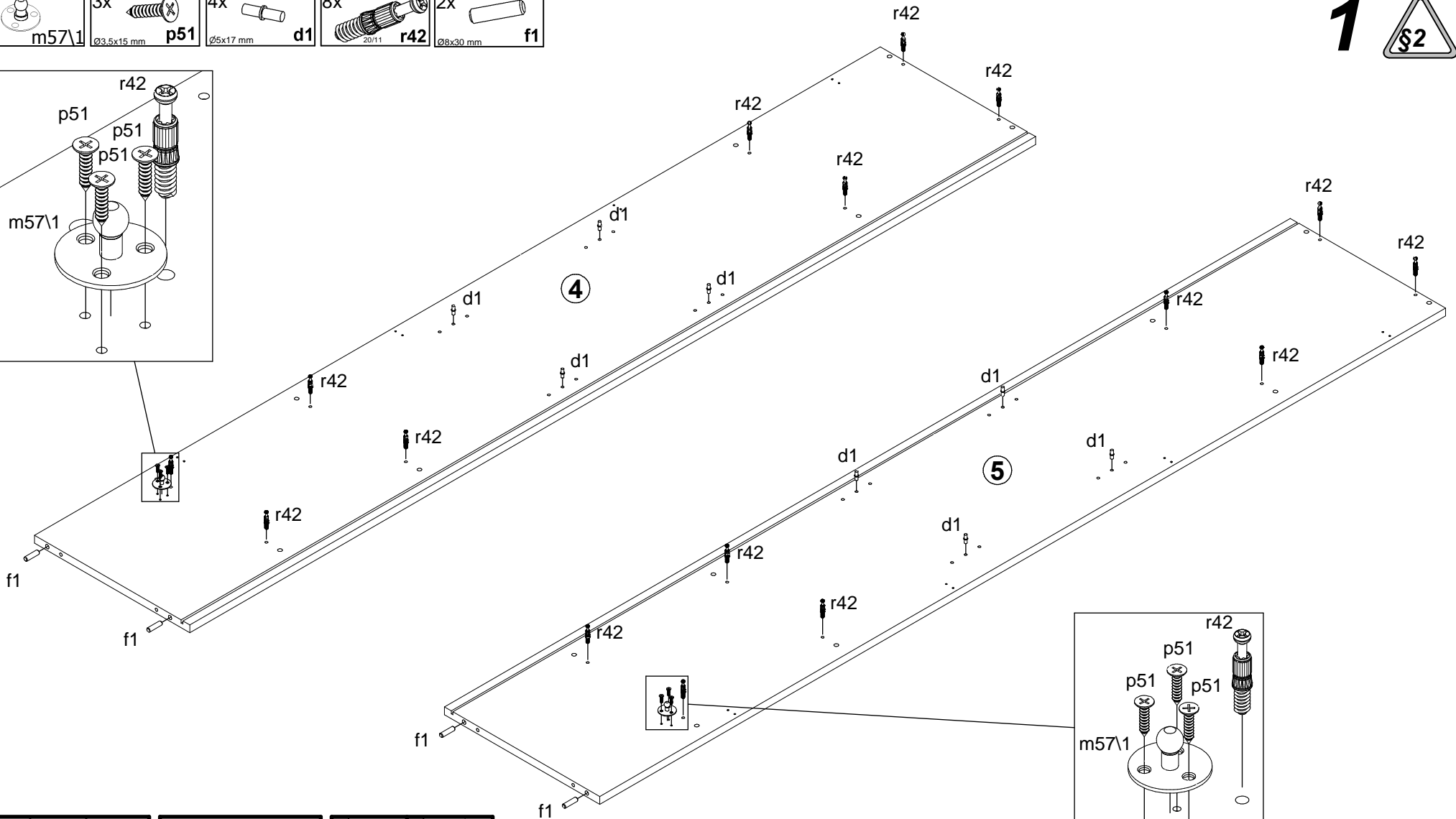
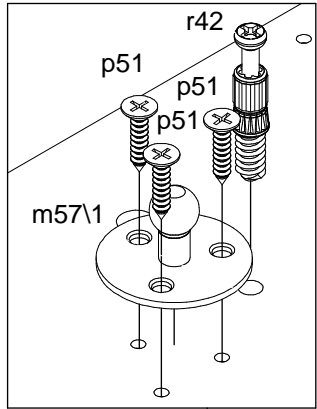
A	B	C1	C2	C3	D	A	B	C1	C2	C3	D	A	B	C1	C2	C3	D
1	M227-0001	275	795	16	1/6	13	M227-1010	344,5	344,	18	4/6	24	M227-5002	1600	60	16	3/6
2	M227-0002	275	795	16	1/6	14	M227-1011	311	344,	18	1/6	25	M227-5003	1579	60	16	3/6
3	M227-0003	275	795	16	1/6	15	M227-1013	577	344,	18	5/6	26	M227-7005	354,	808,	16	6/6
4	M227-1001	1984	364,	16	2/6	16	M227-2001	1599	364,	16	5/6	27	M227-7006	354,	808,	16	6/6
5	M227-1002	1984	364,	16	2/6	17	M227-2002	1599	364,	16	5/6	28	M227-7801	1006	260	12,	2/6
6	M227-1003	250	344,	18	1/6	18	M227-3001	1582,5	344,	16	4/6	29	M227-7802	1006	140	12,	2/6
7	M227-1004	250	344,	18	1/6	19	M227-3002	1582,5	344,	16	4/6	30	M227-9001	373	1595	2,5	5/6
8	M227-1005	344,5	344,	18	4/6	20	M227-3005	774	320	16	4/6	31	M227-9002	334,	1595	2,5	5/6
9	M227-1006	577	344,	18	5/6	21	M227-3008	1564,5	344,	16	6/6	32	M227-9003	261	1595	2,5	5/6
10	M227-1007	1014	327	18	5/6	22	M227-3009	1564,5	344,	16	6/6	33	M227-9301	1987	789	2,5	2/6
11	M227-1008	1014	327	18	5/6	23	M227-5001	1661	60	16	3/6	34	M227-3003	1582,5	344	17,5	3/6
12	M227-1009	344,5	344,	18	4/6							35	M227-3004	1582,5	344	17,5	3/6
												36	M227-3006	1582,5	344	17,5	3/6
												37	M227-3007	1582,5	344	17,5	3/6
												38	WSP-9220	741	308	2,5	1/6
												39	WSQ3-503	300	120	12,	1/6
												40	WSQ3-504	300	120	12,	1/6
												41	WTQ-5295	731	107	16	1/6



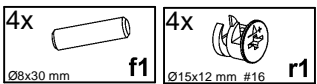
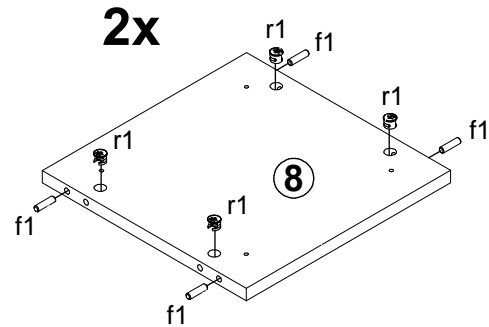
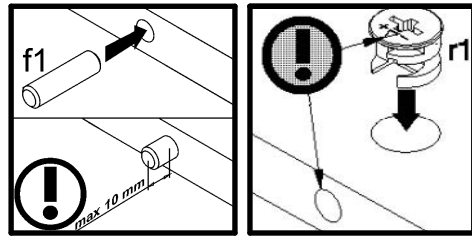
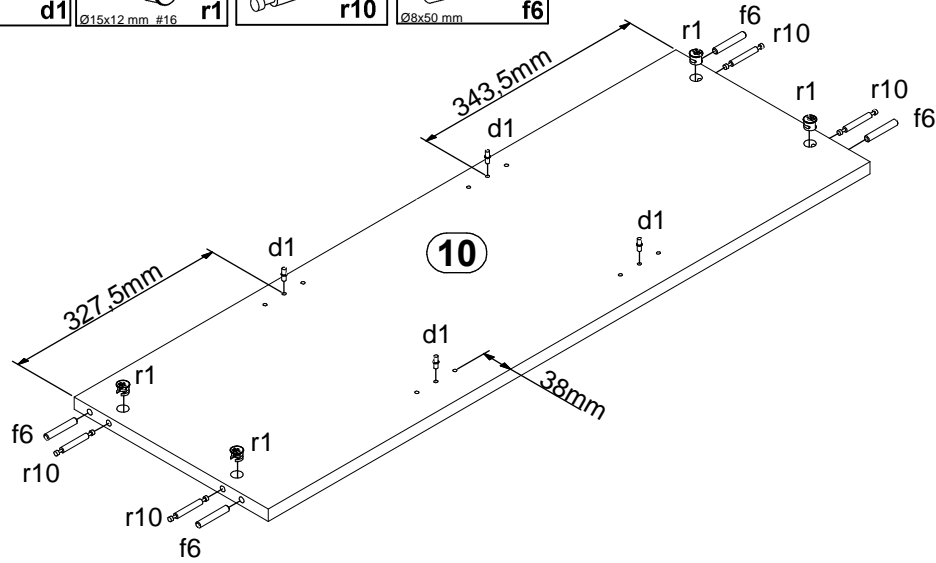
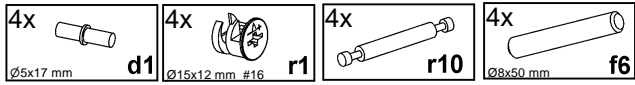




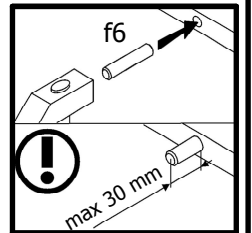
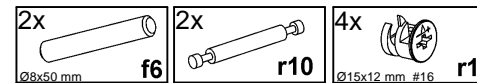
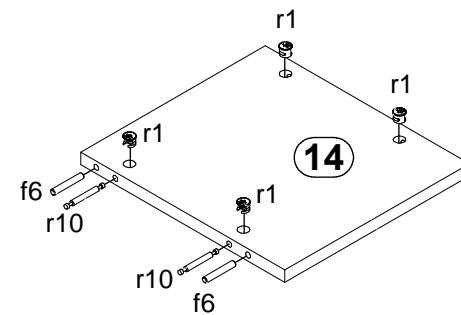
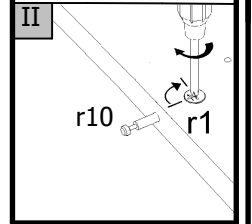
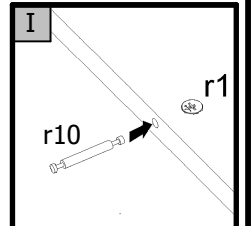
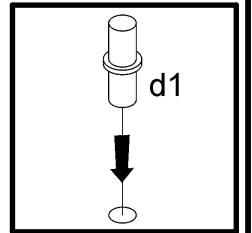
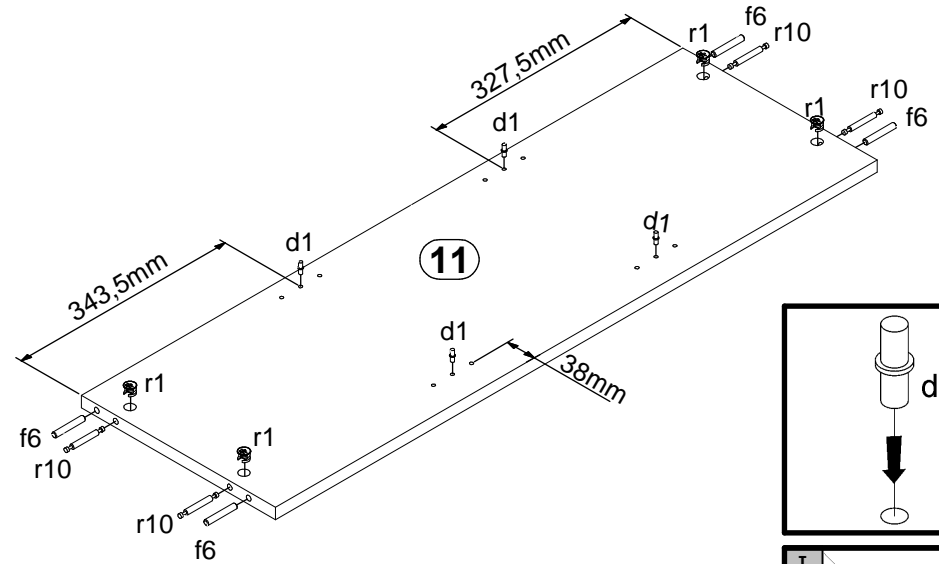
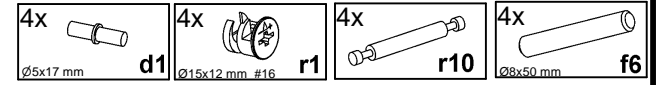
- 1x m57\1
- 3x Ø3.5x15 mm p51
- 4x Ø5x17 mm d1
- 8x 20\11 r42
- 2x Ø8x30 mm f1

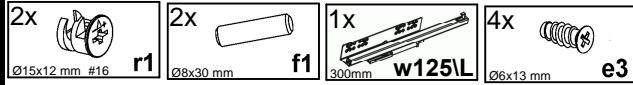


- 1x m57\1
- 3x Ø3.5x15 mm p51
- 4x Ø5x17 mm d1
- 8x 20\11 r42
- 2x Ø8x30 mm f1

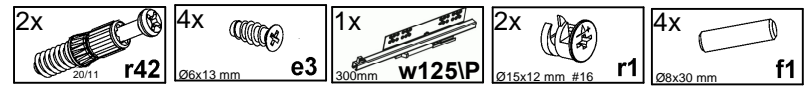
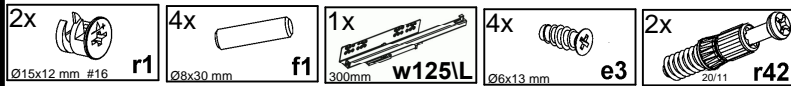
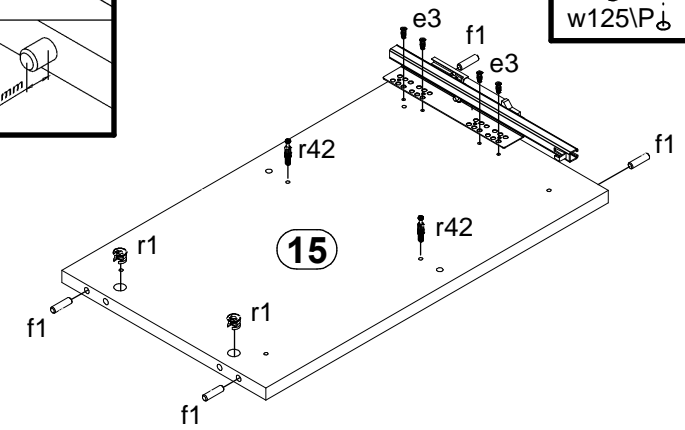
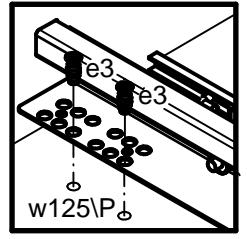
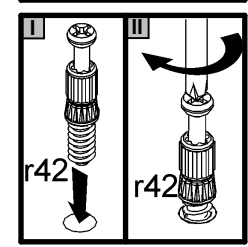
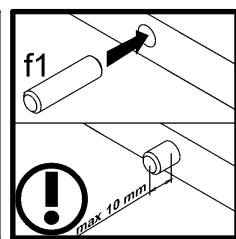
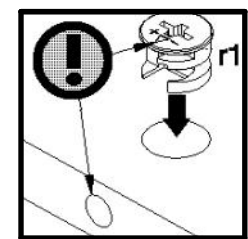
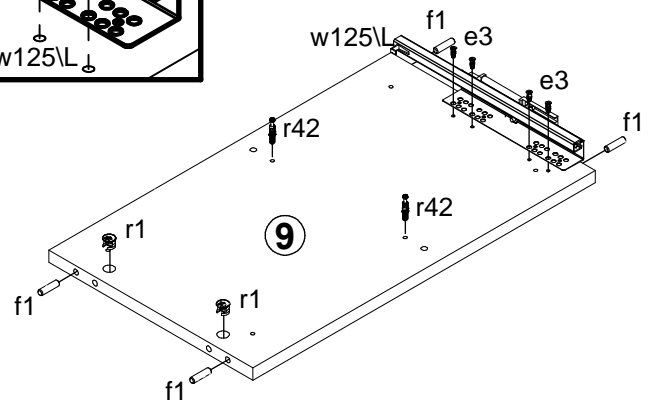
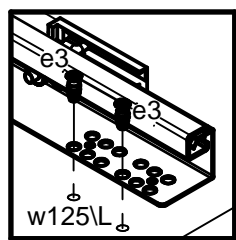
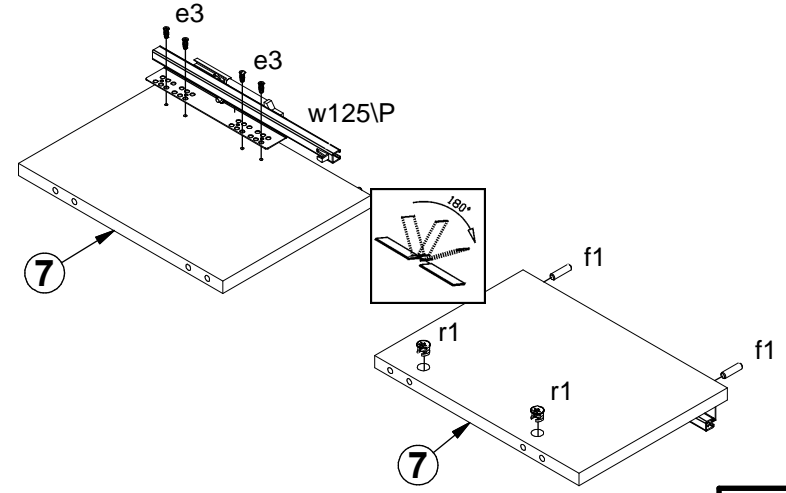
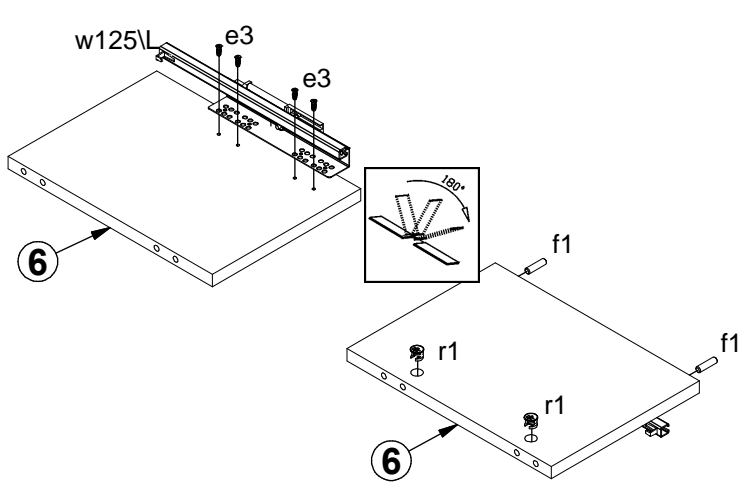
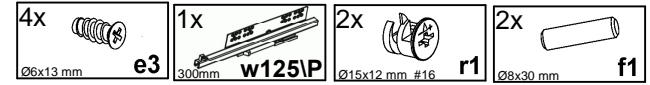


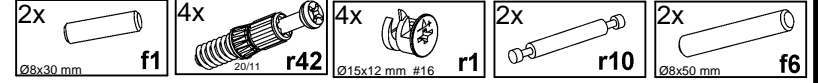
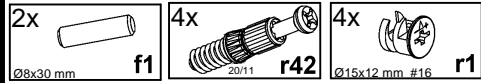
1



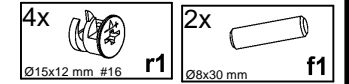
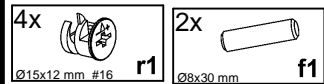
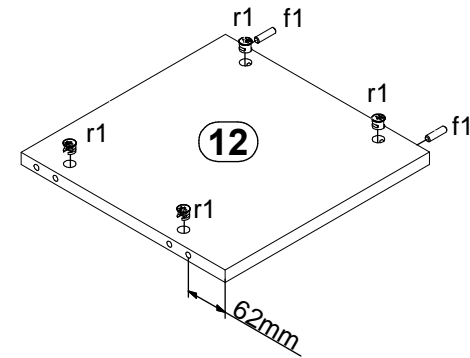
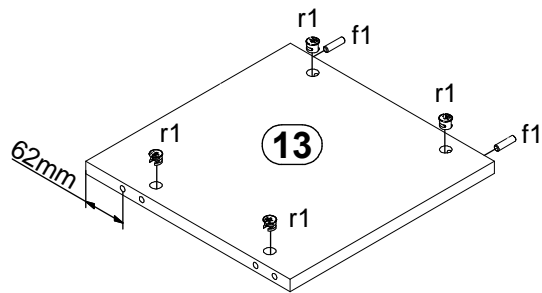
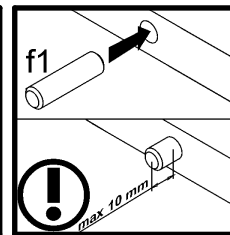
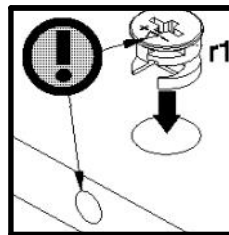
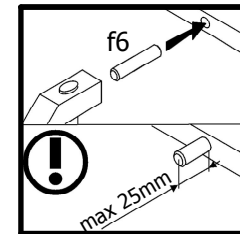
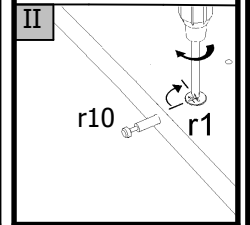
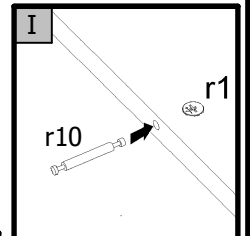
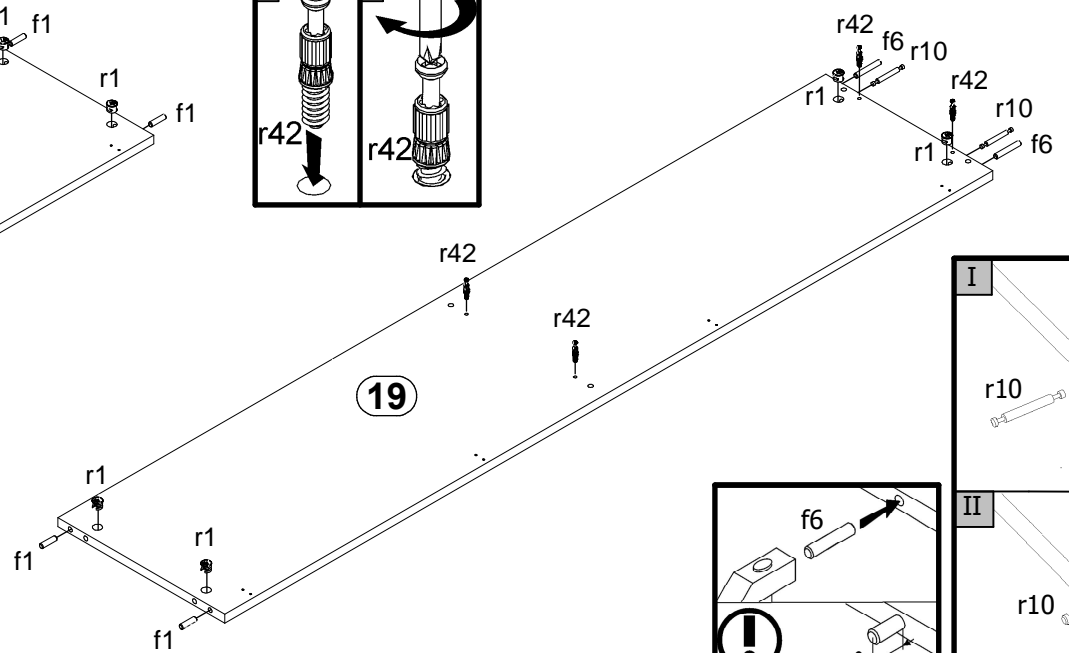
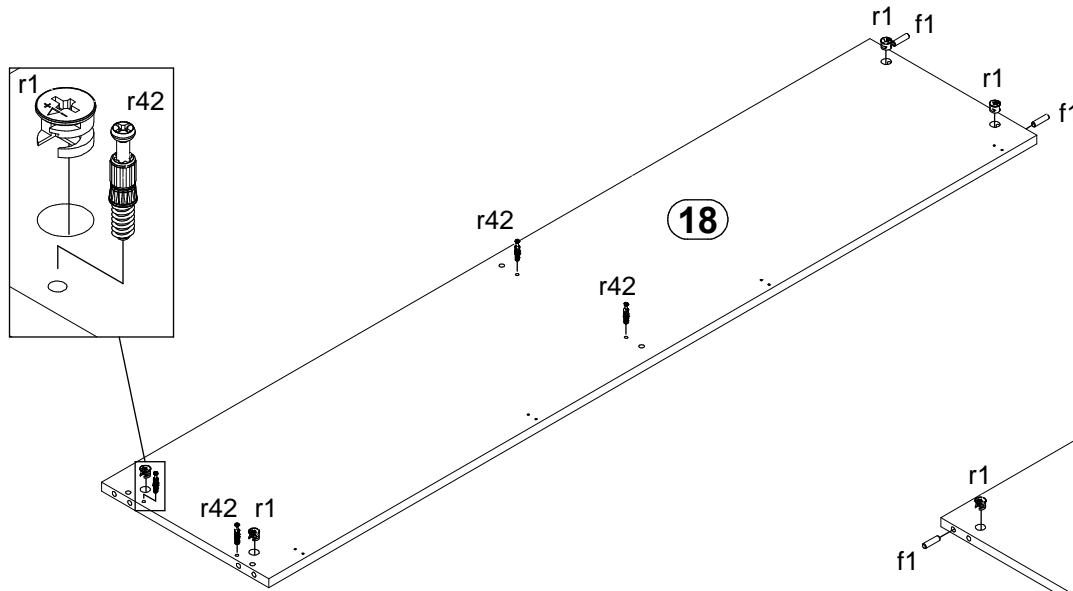
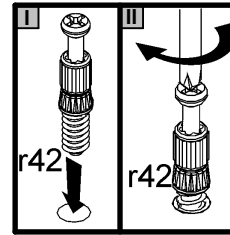
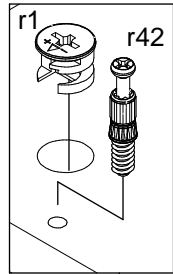


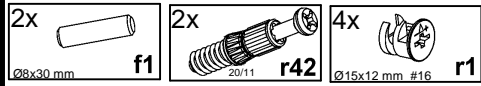
1



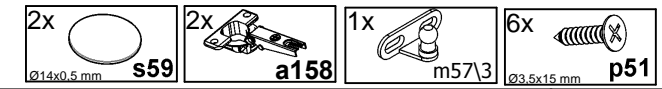
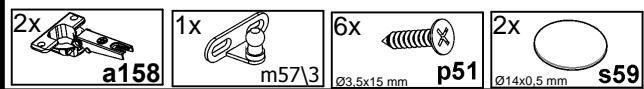
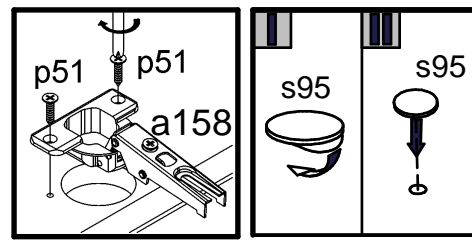
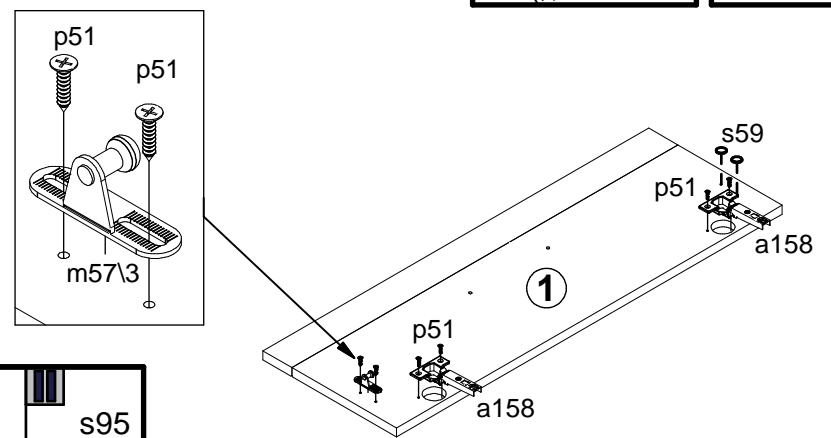
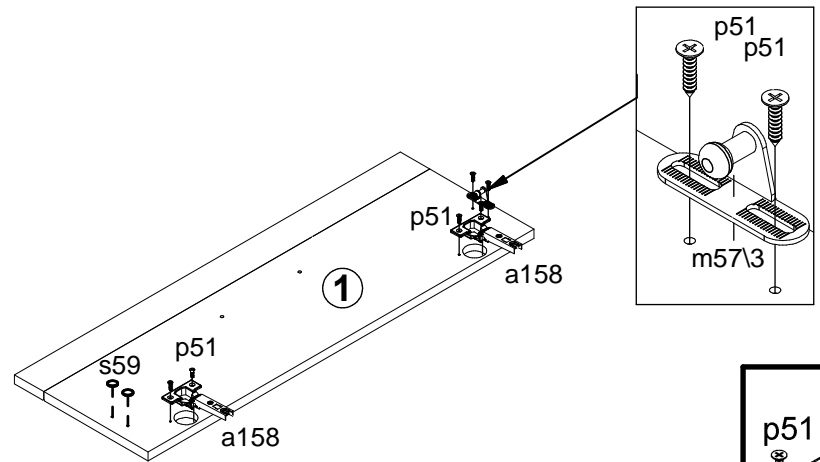
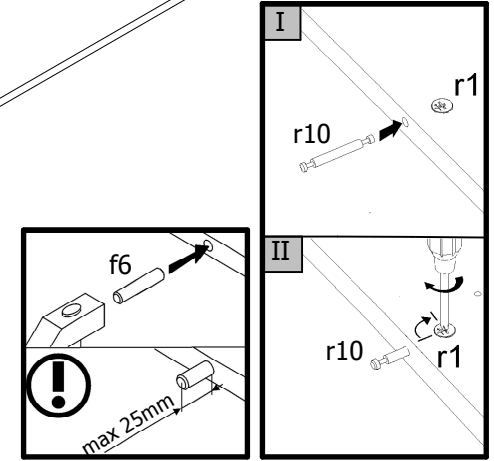
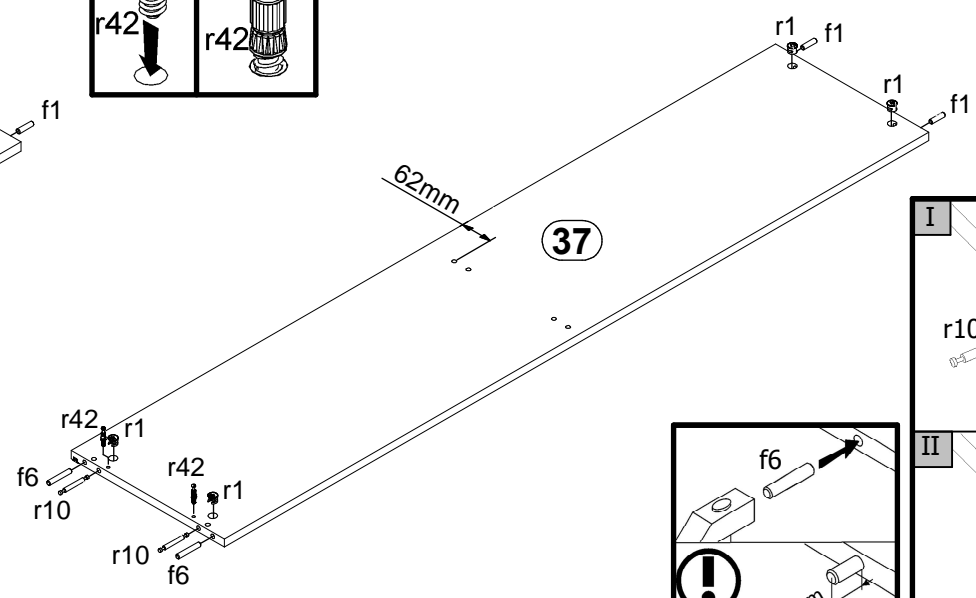
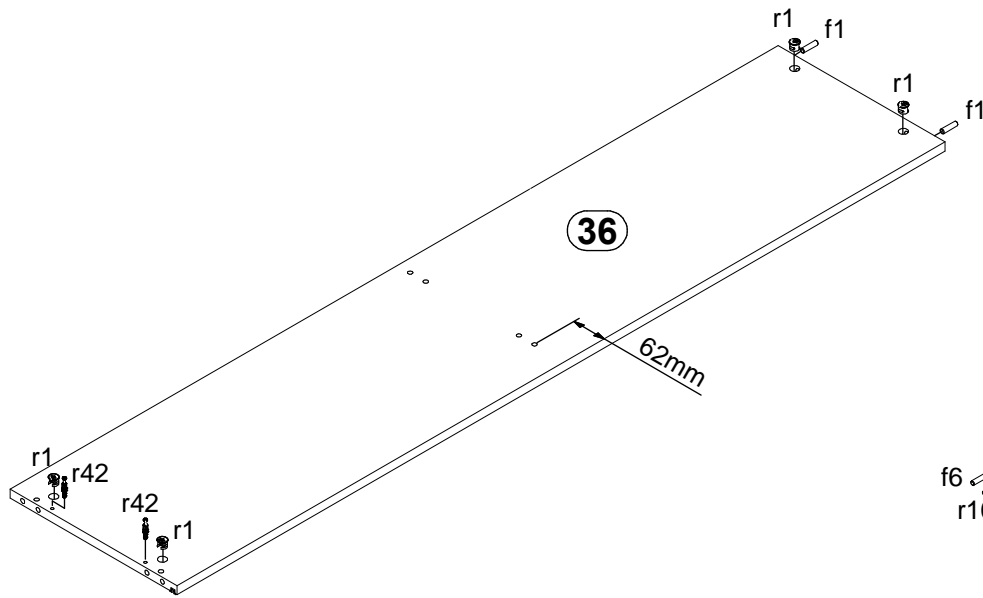
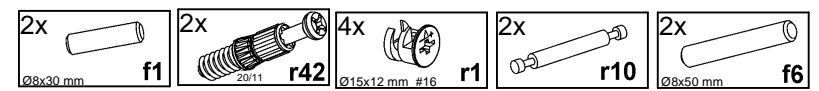
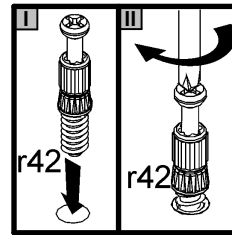


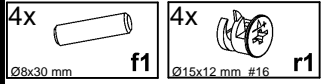
1



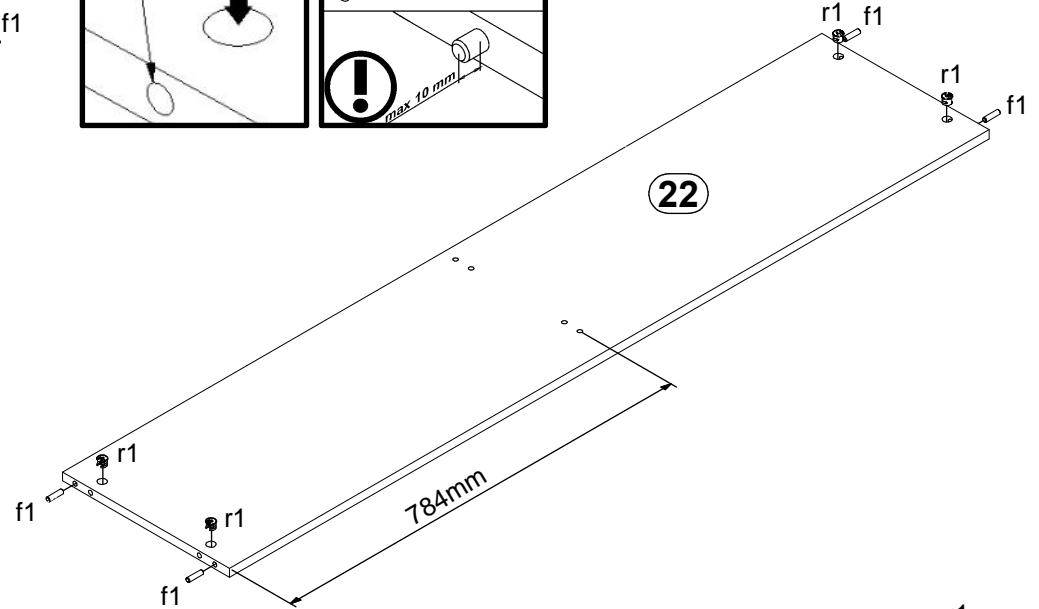
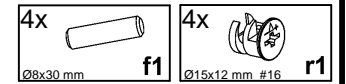
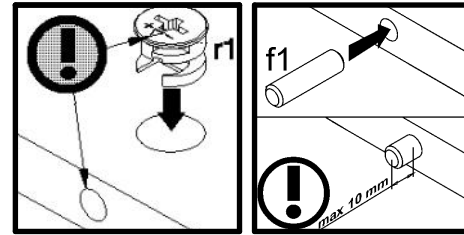
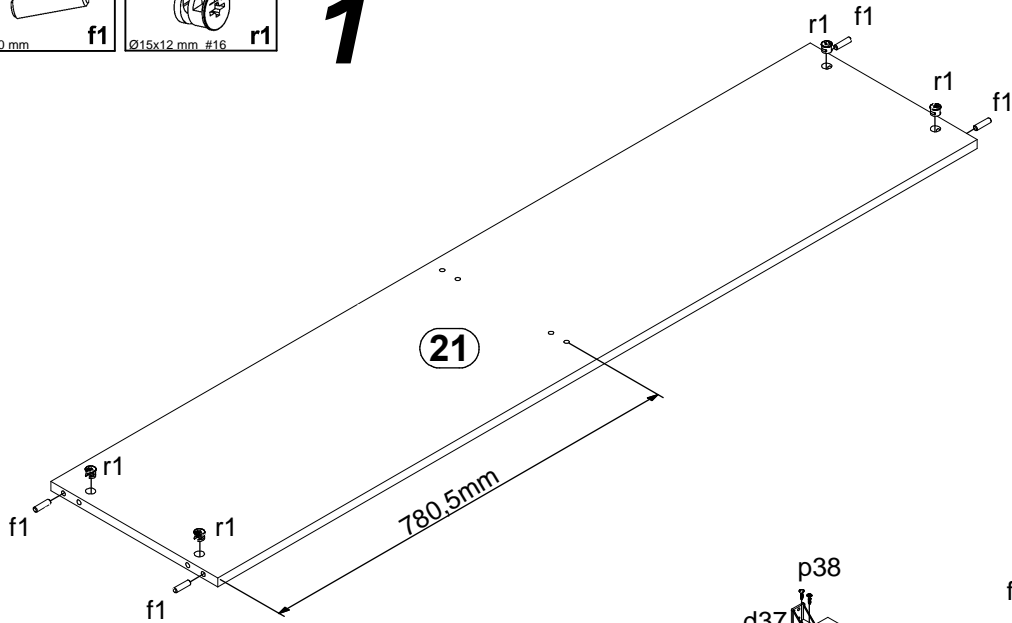


1

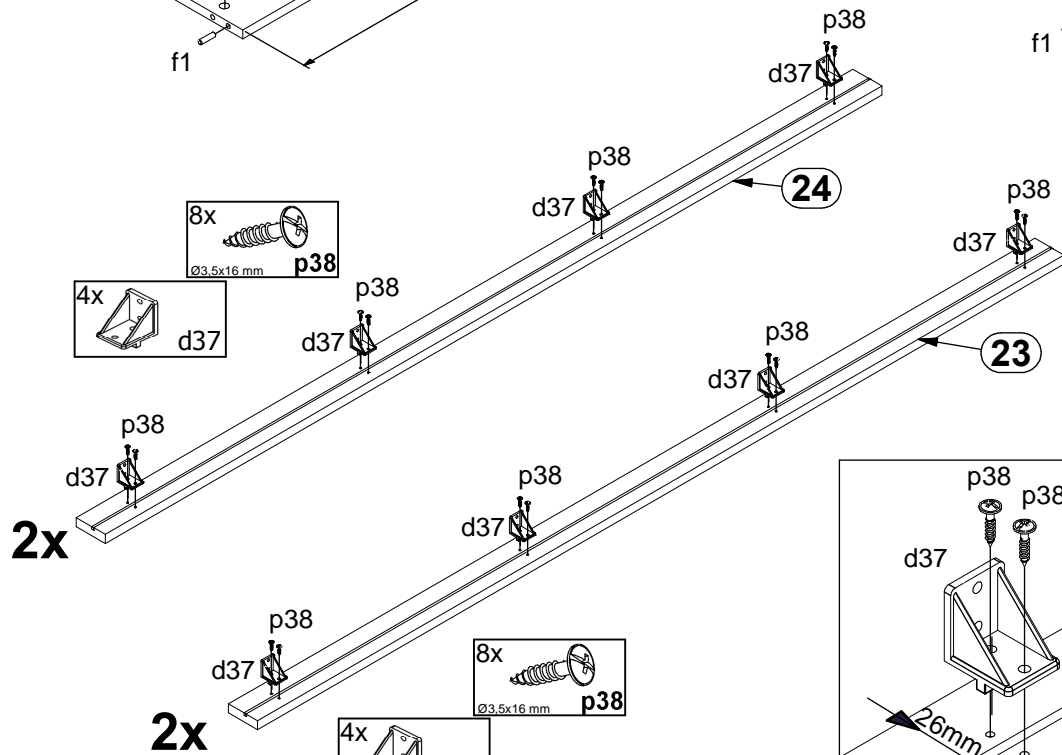
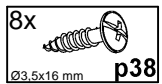




1

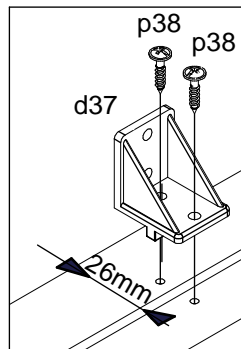


22



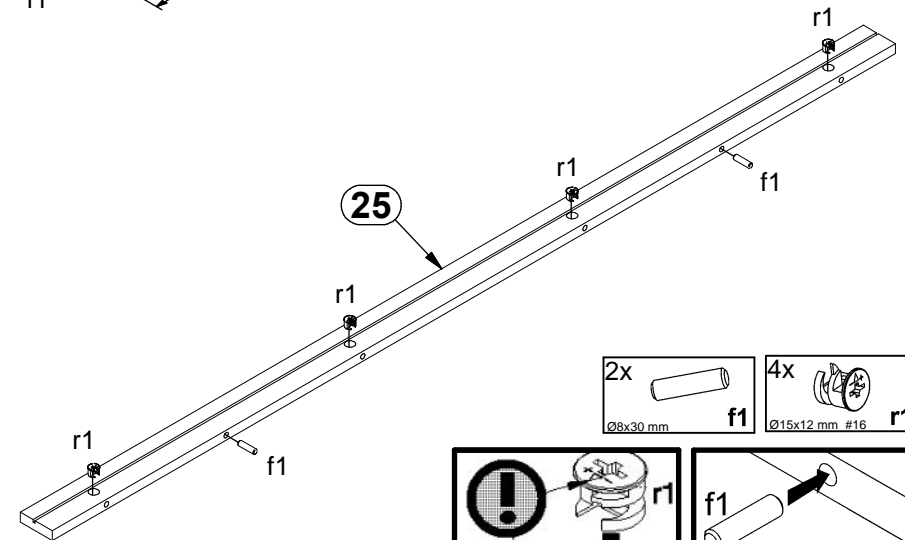
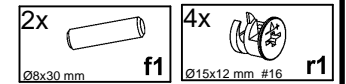
2x

2x

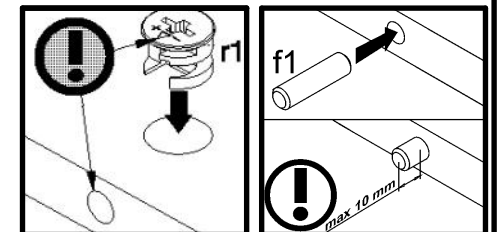


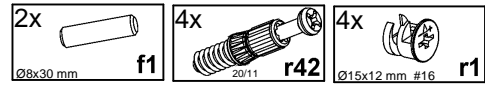
24

23

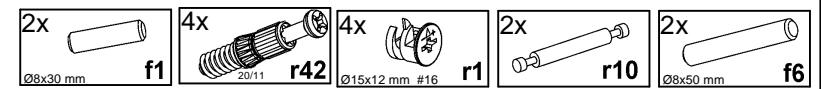
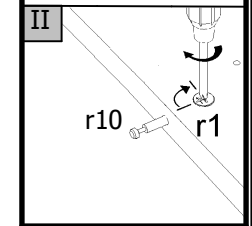
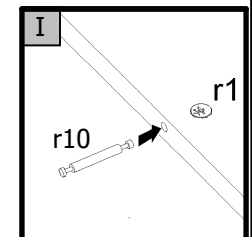
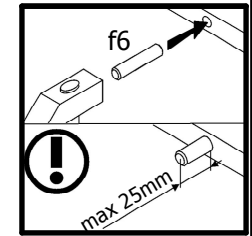
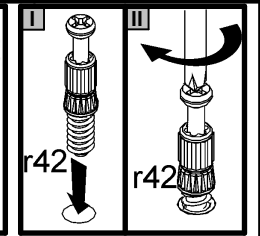
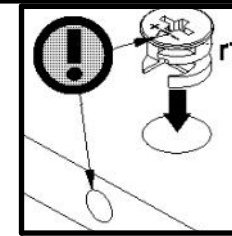
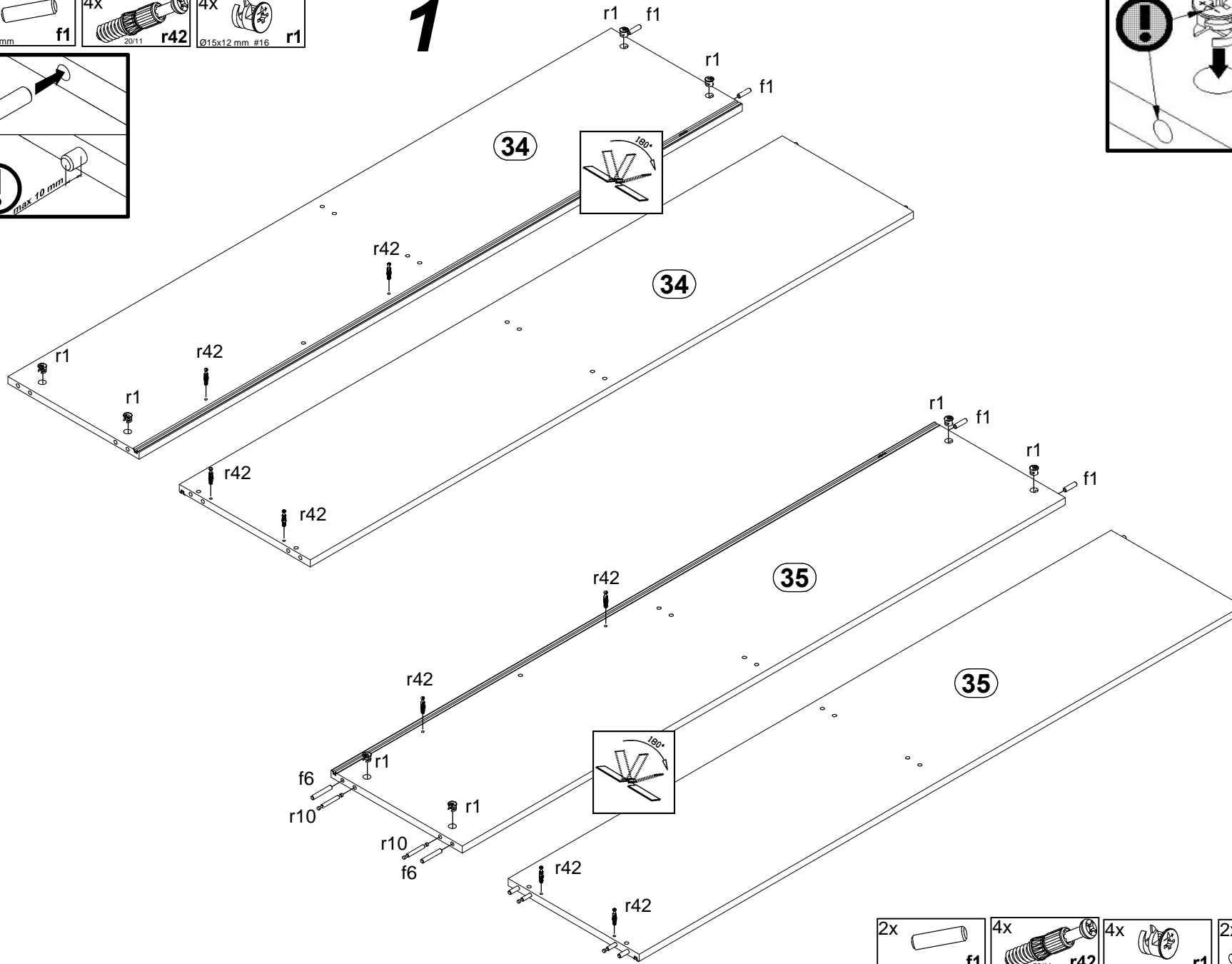
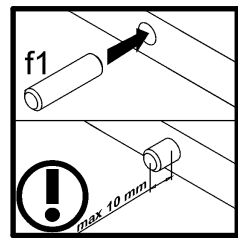


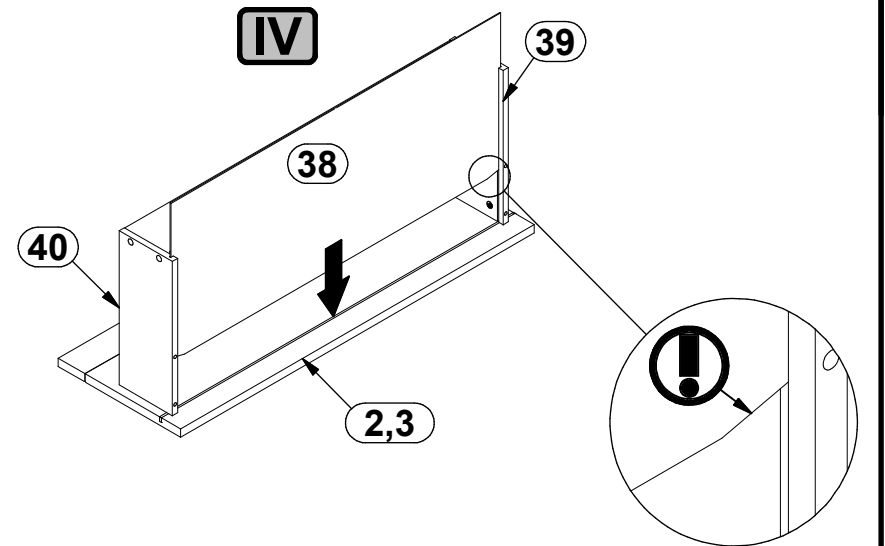
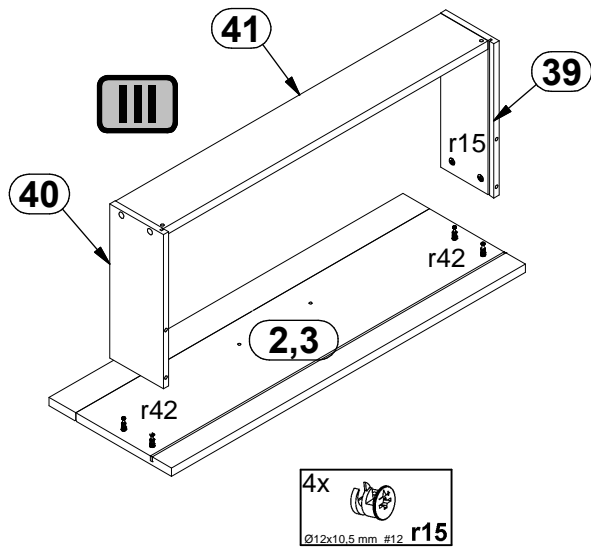
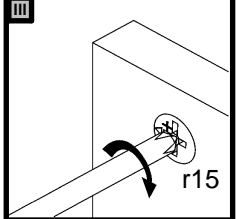
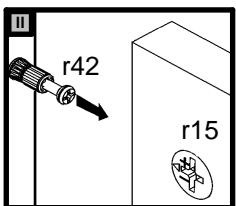
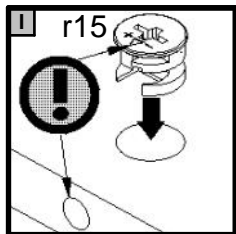
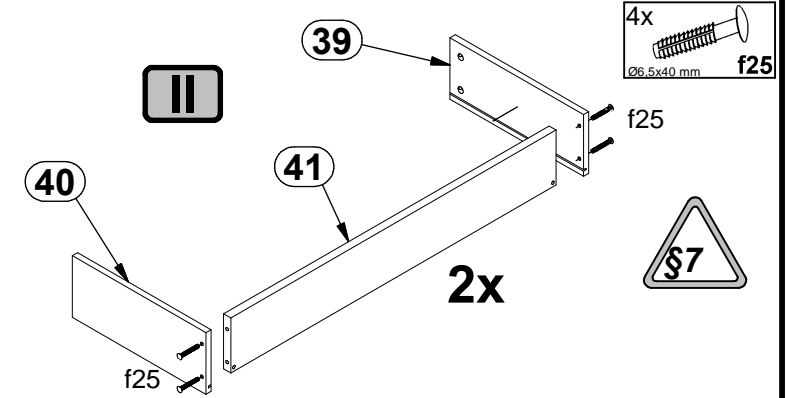
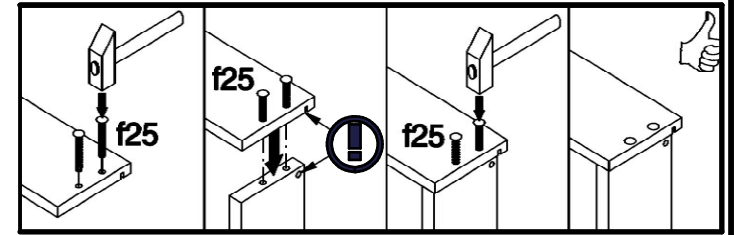
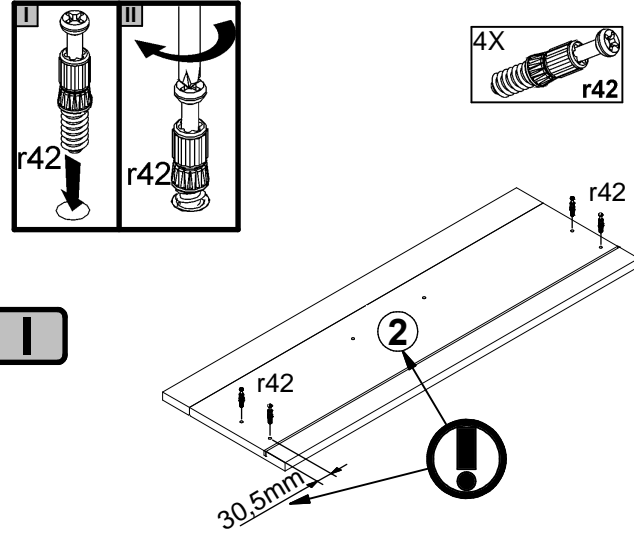
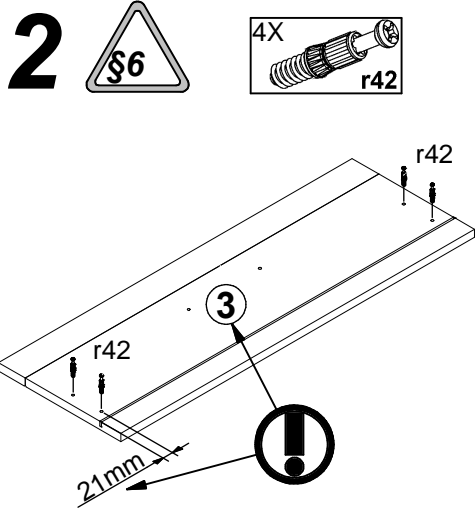
25

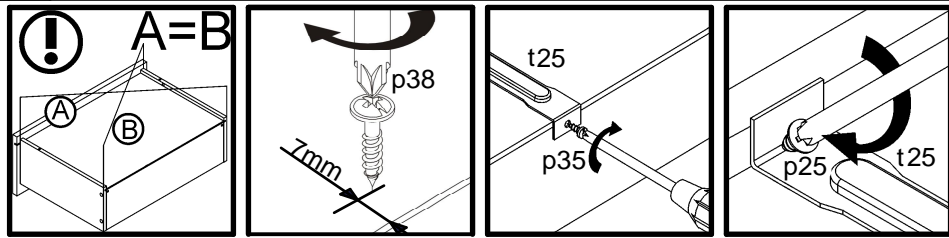








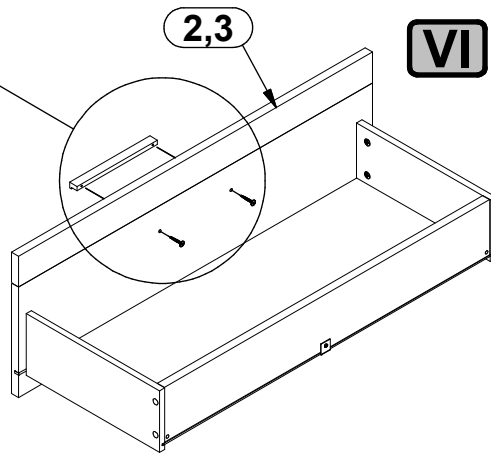
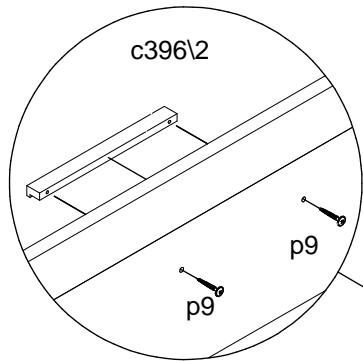
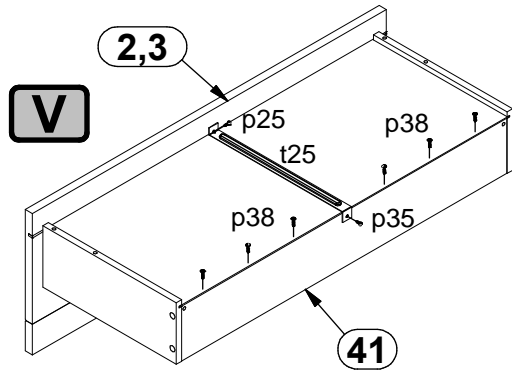
1







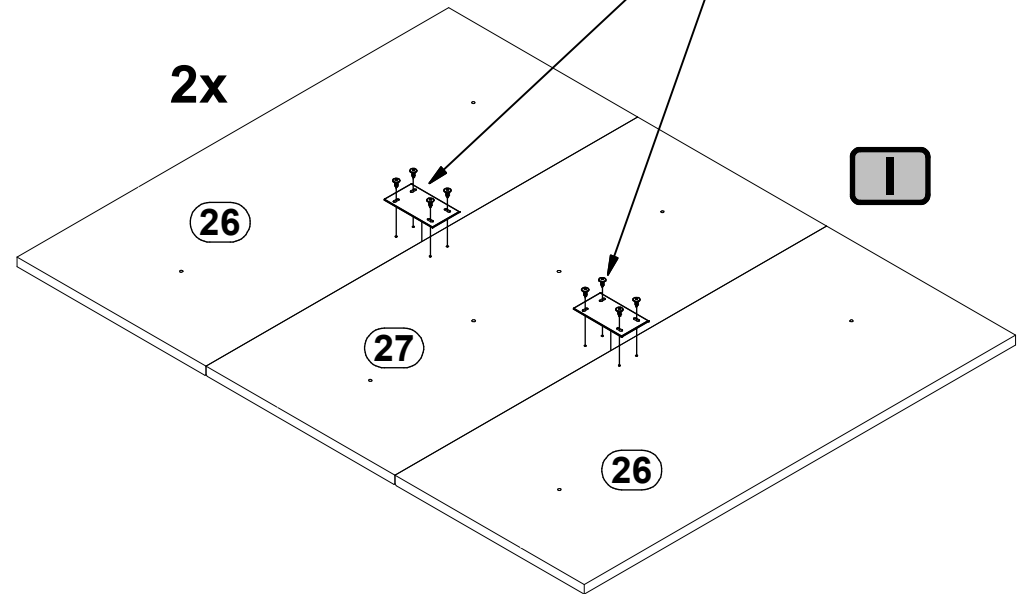
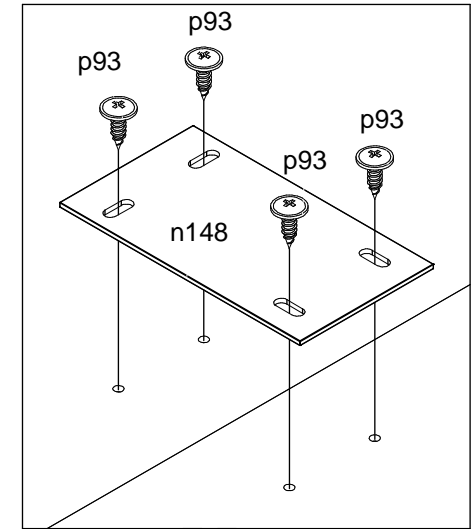




- 6x  **p38**
Ø3,5x16 mm
- 1x  **t25**
300 mm
- 1x  **p25**
Ø3,5x16 mm
- 1x  **p35**
Ø3,5x10 mm

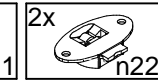
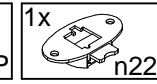
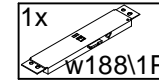
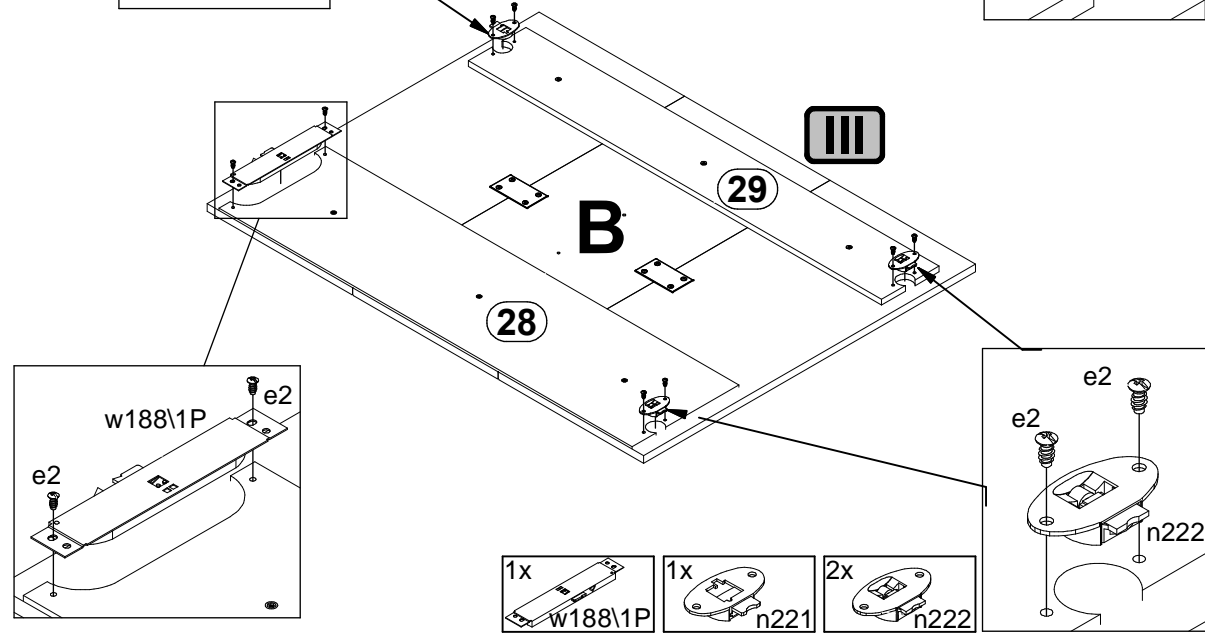
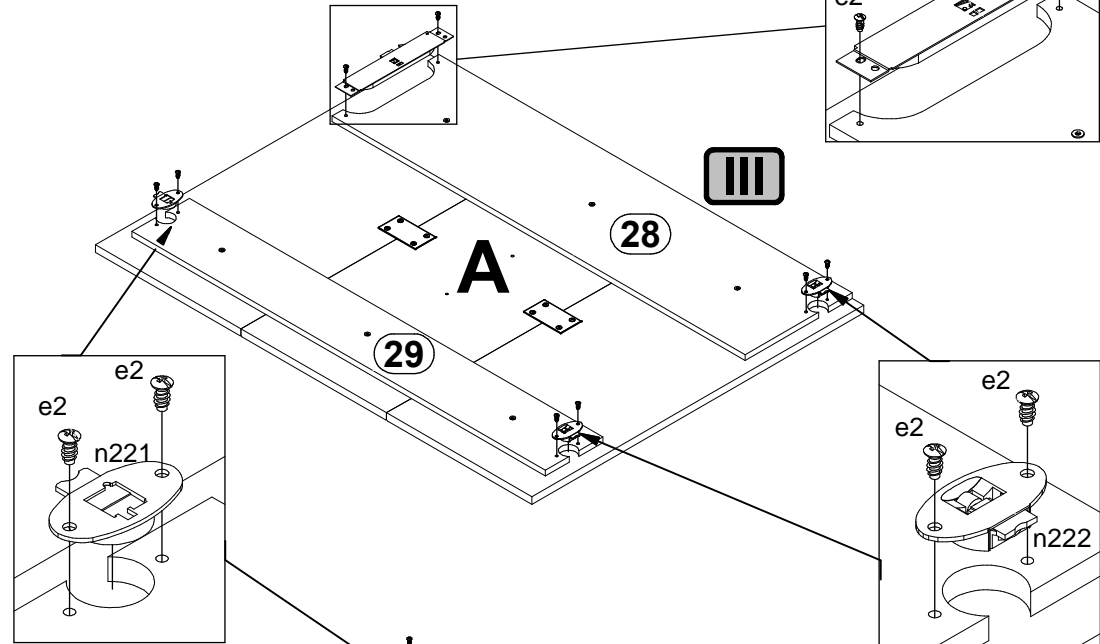
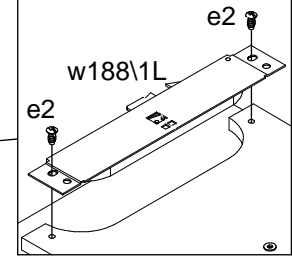
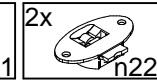
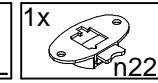
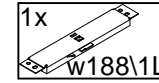
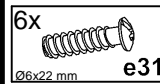
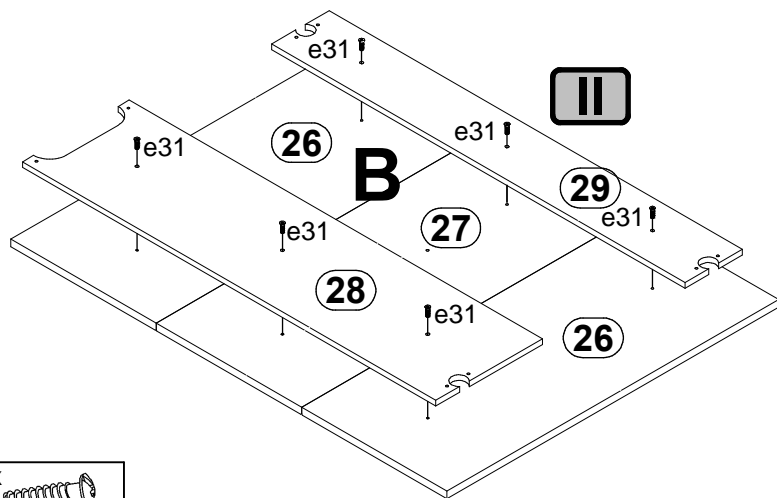
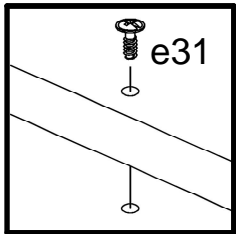
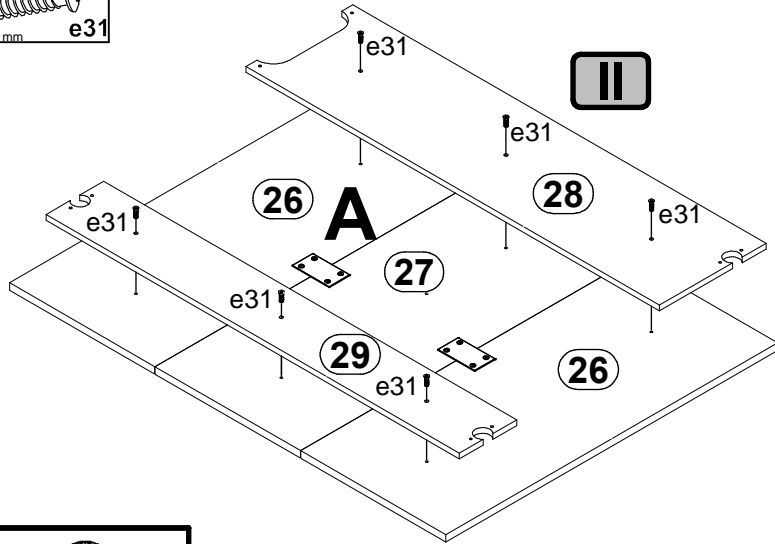
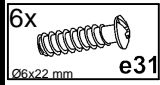


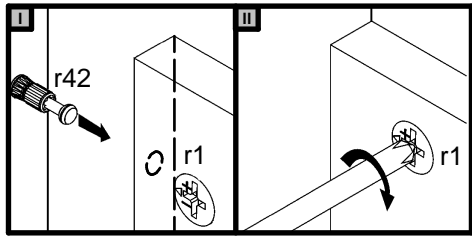
- 2x  **p9**
Ø4x30 mm
- 1x  **c396**

3 

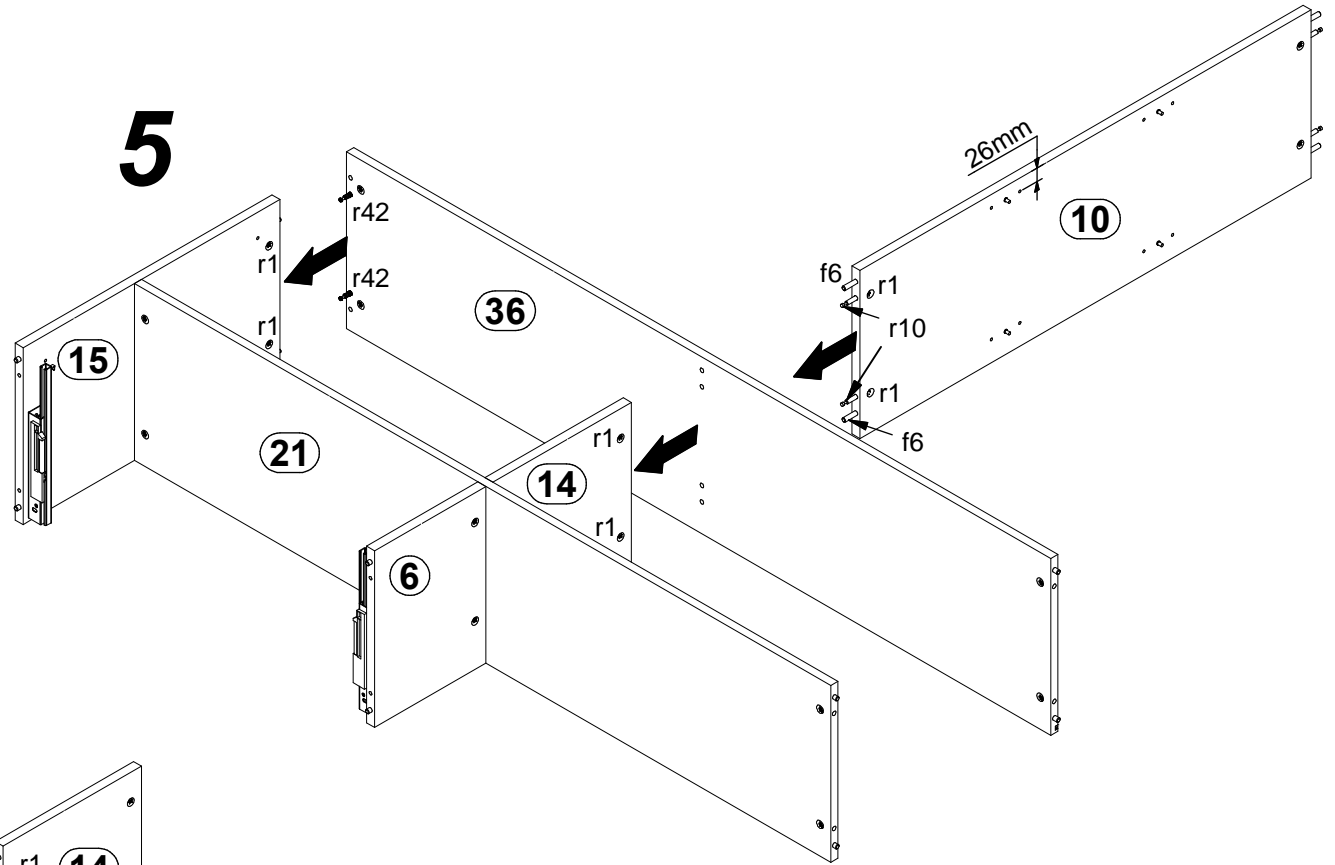


- 2x  **n148**
90x50x1,5 mm
- 8x  **p93**
Ø4x13 mm

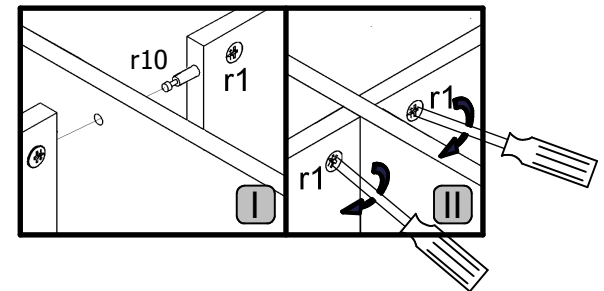
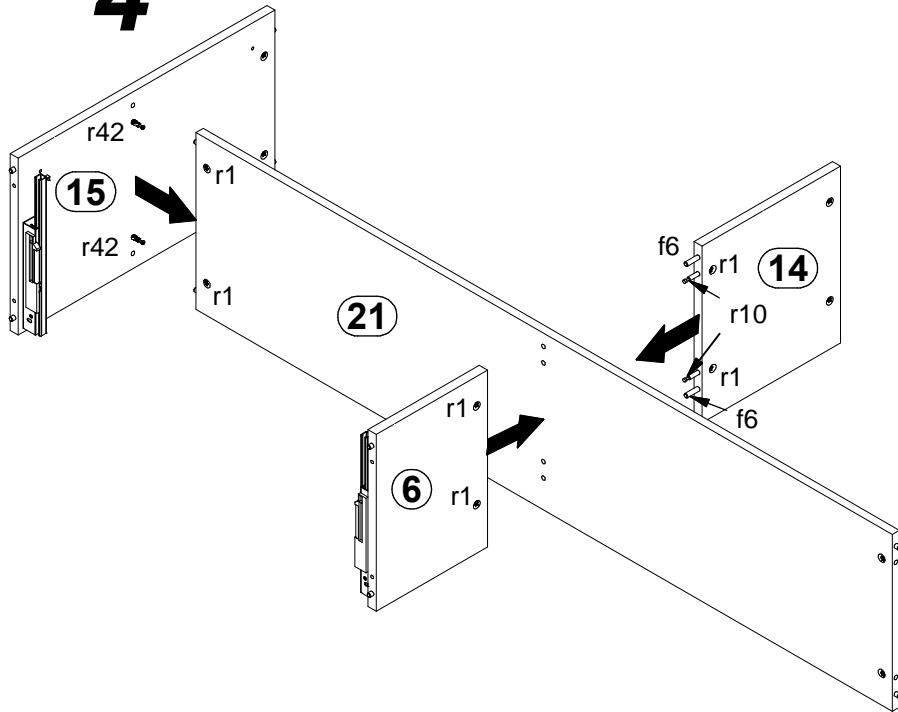


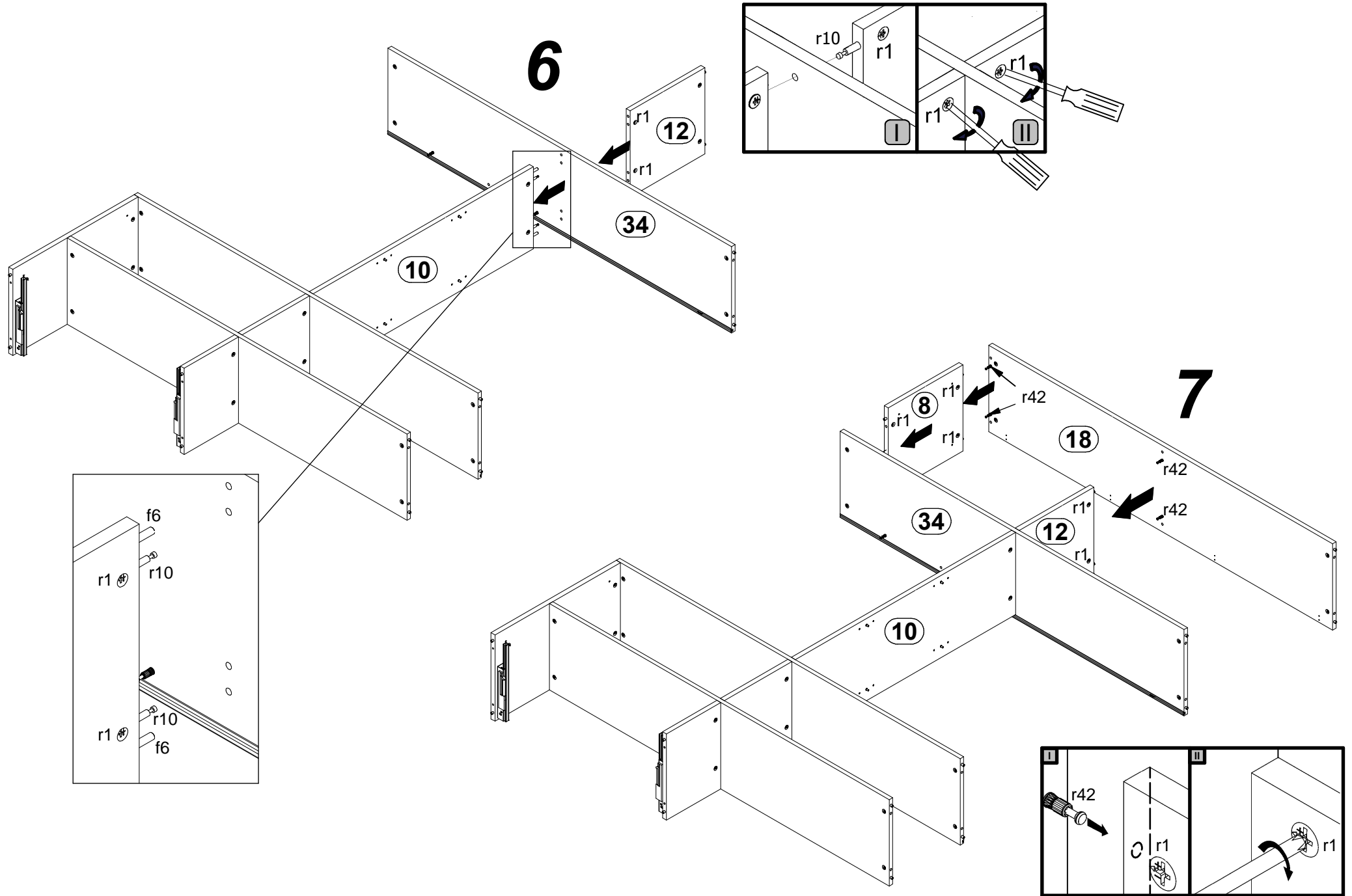


5

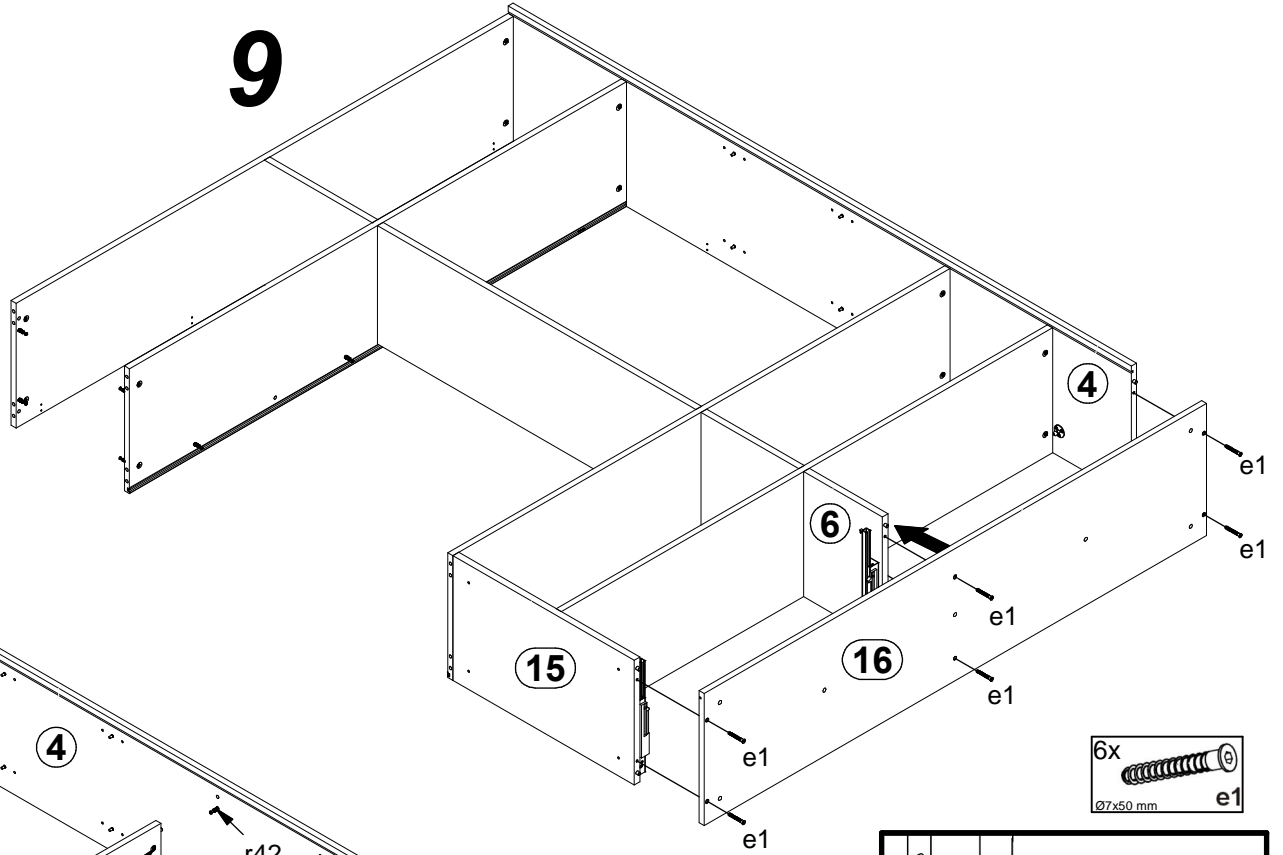
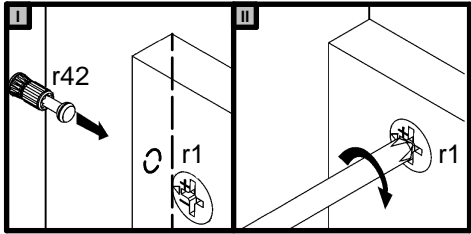


4

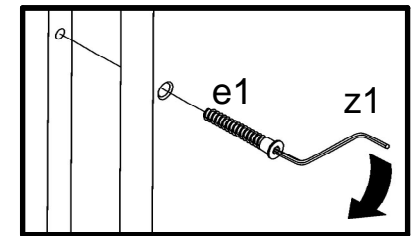
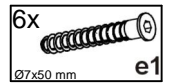
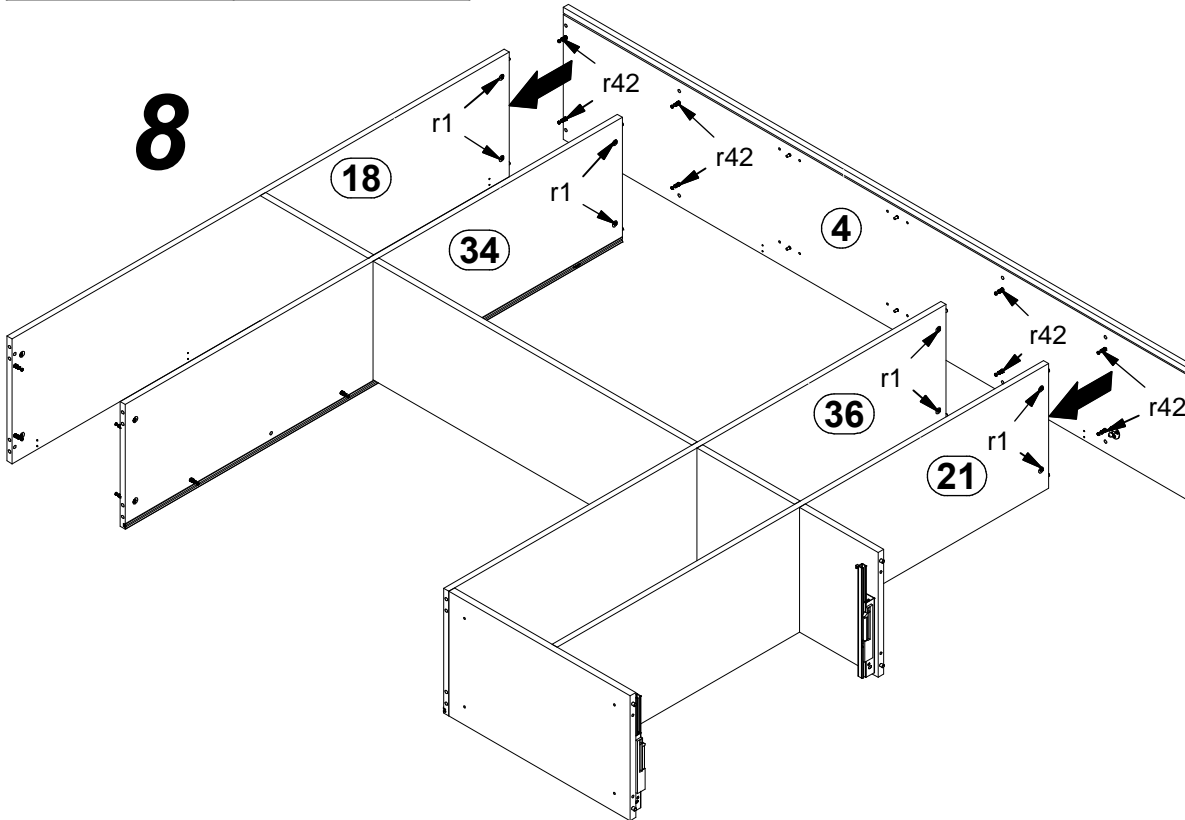


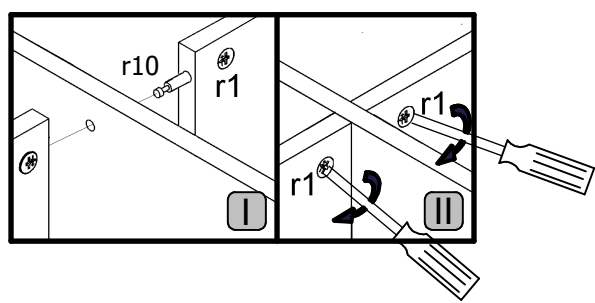
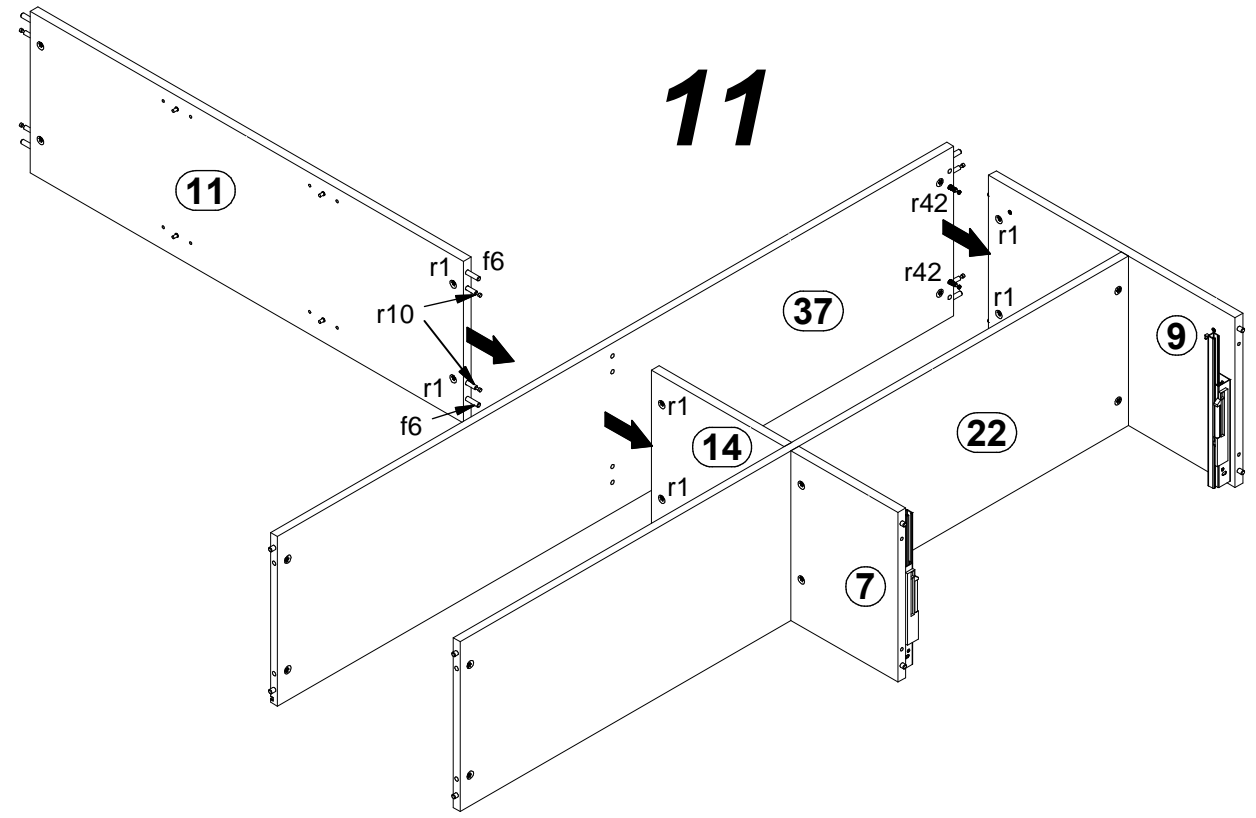
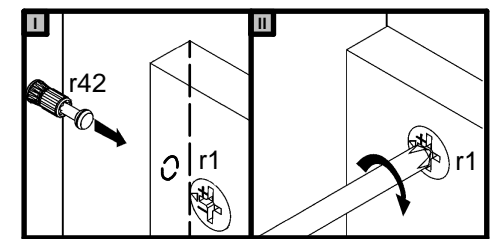
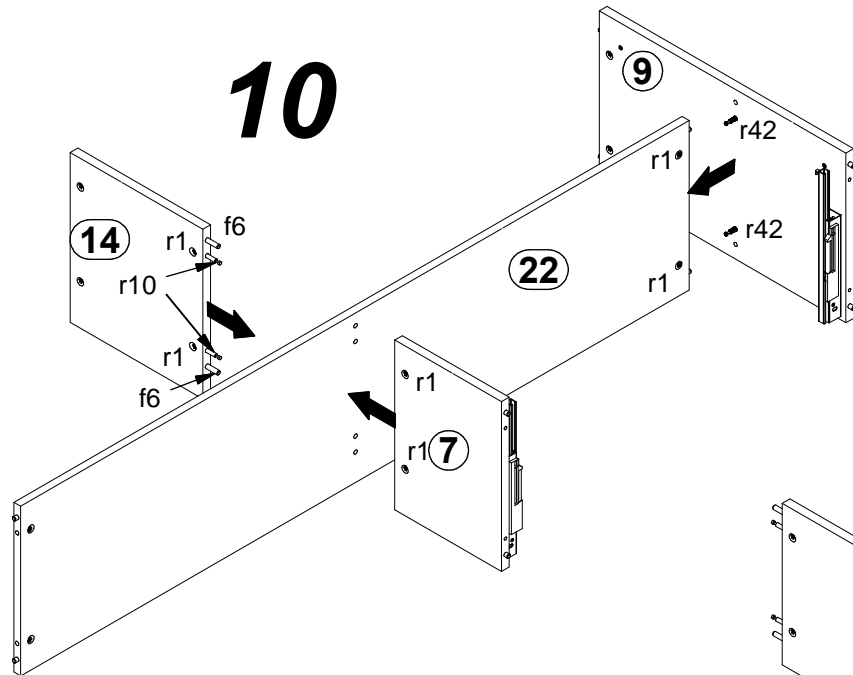


9

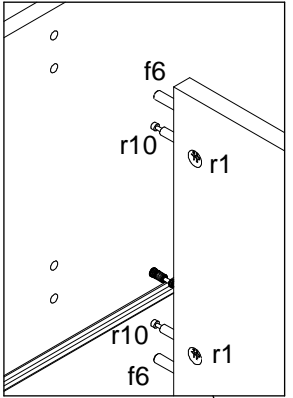
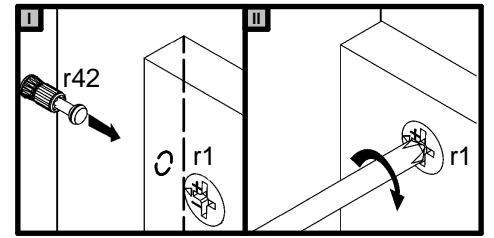


8

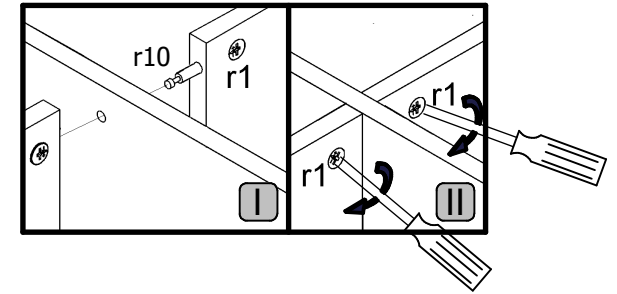
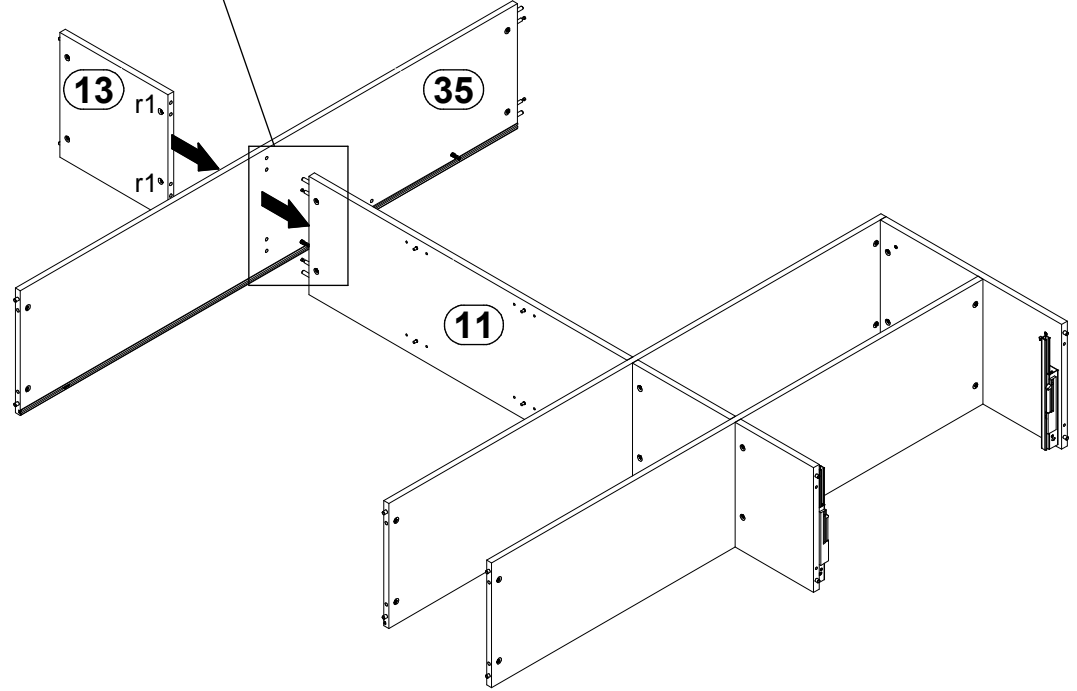
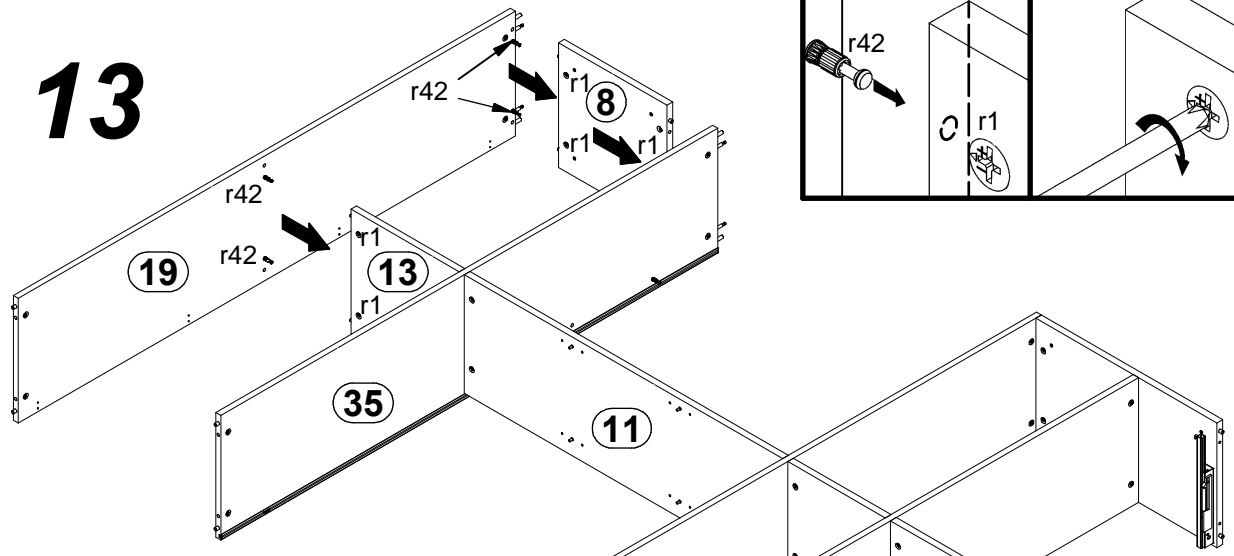


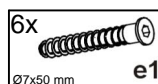
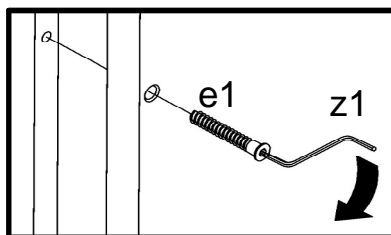
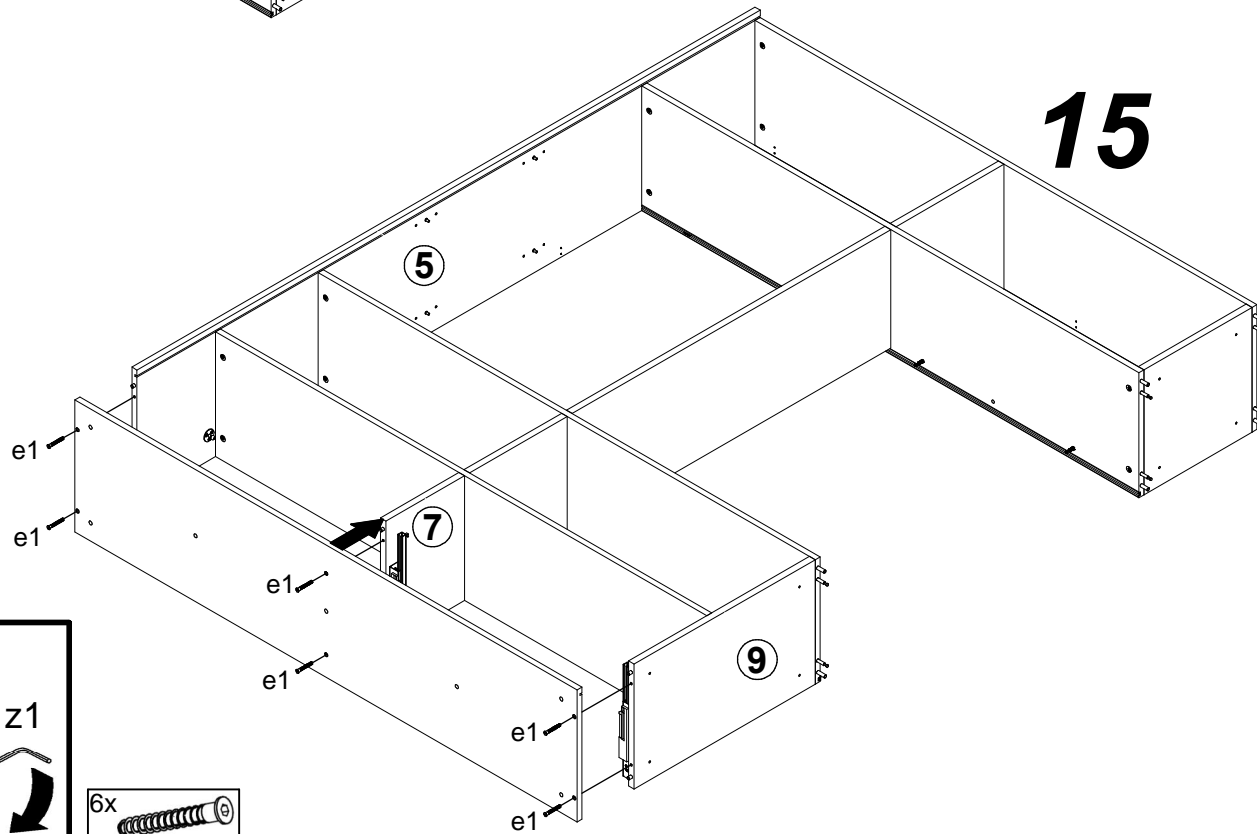
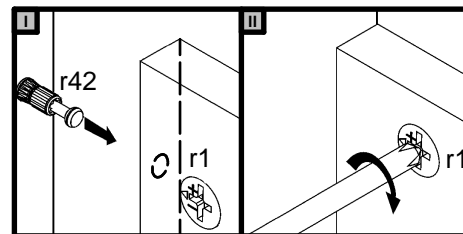
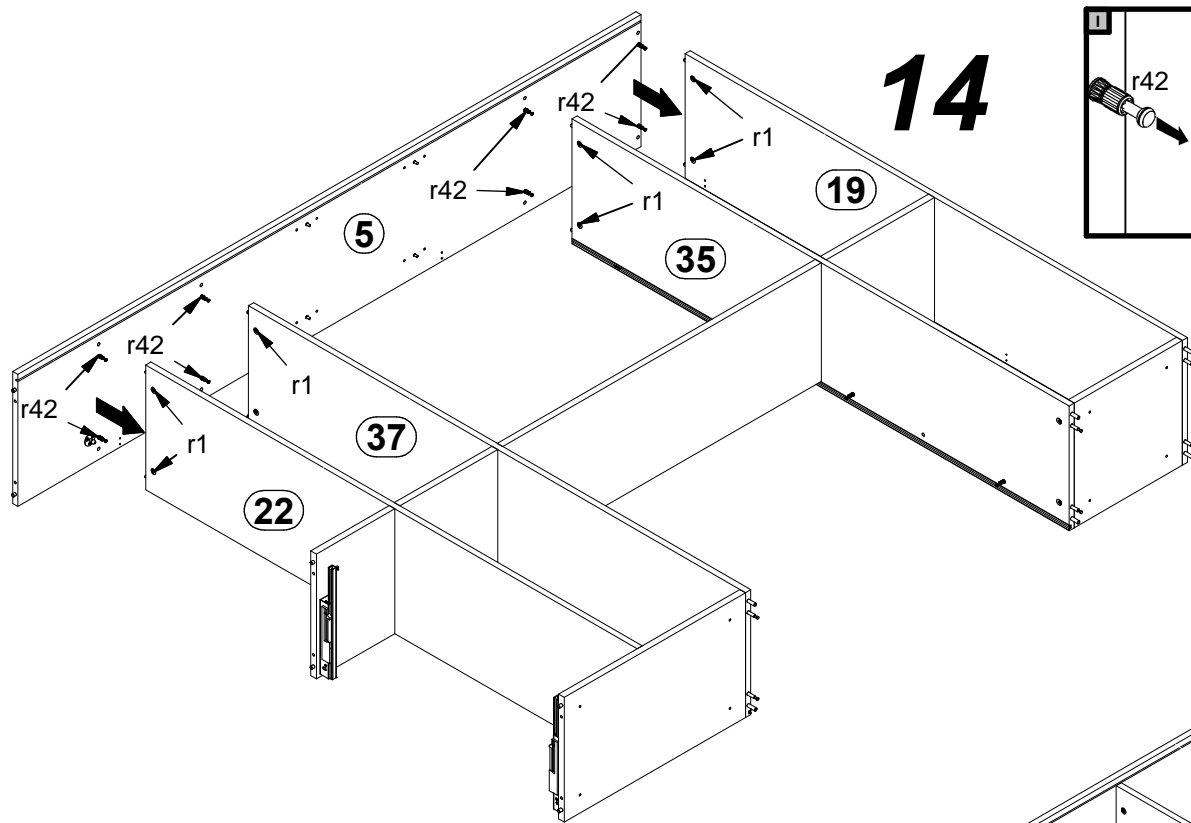


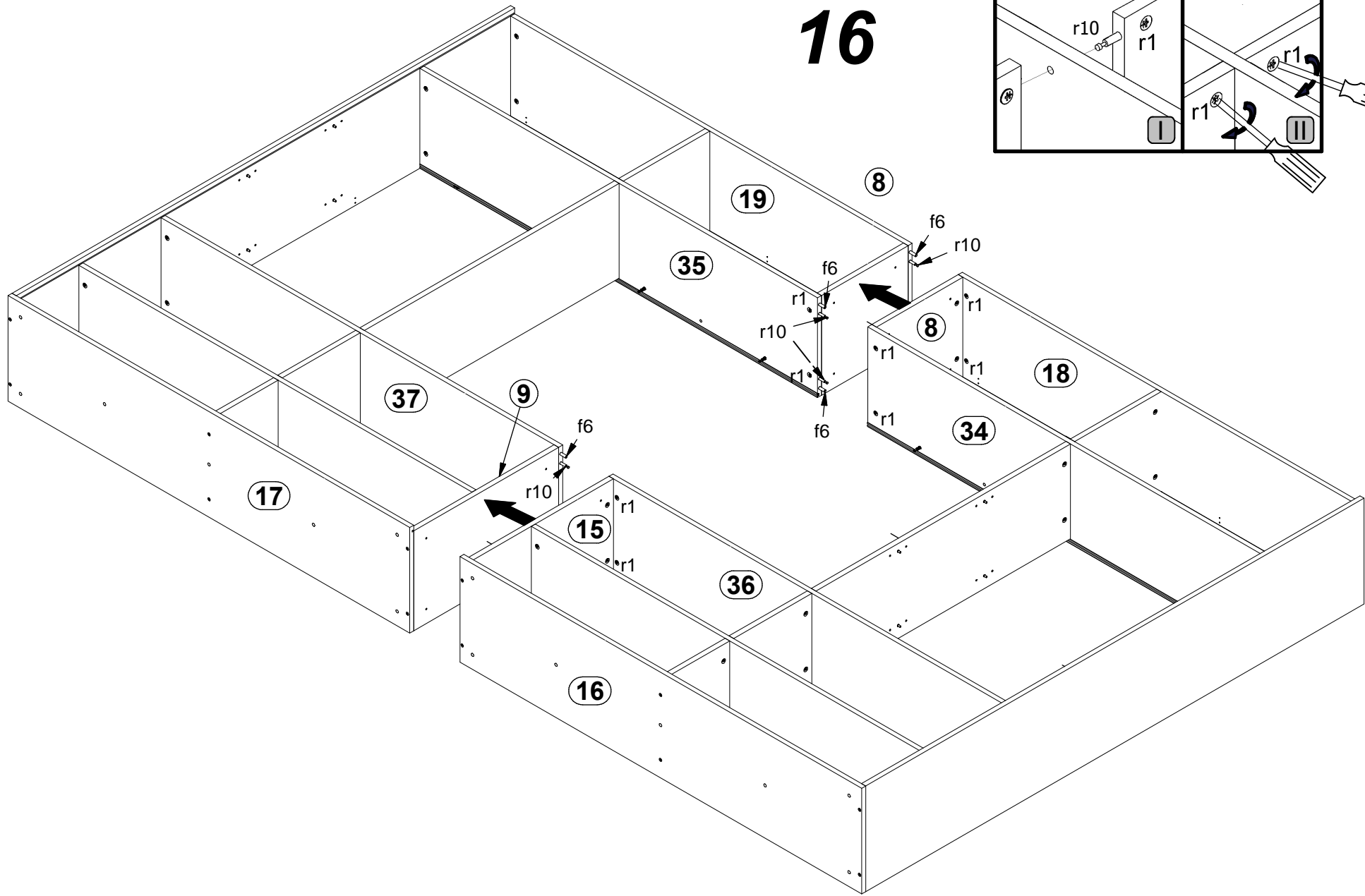
13



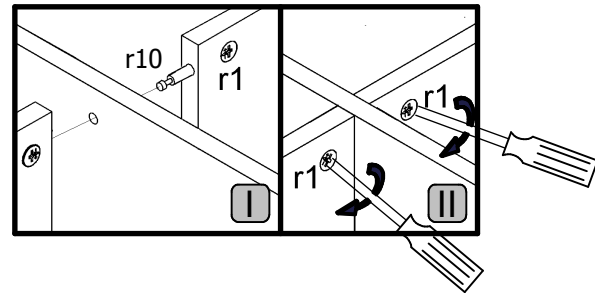
12



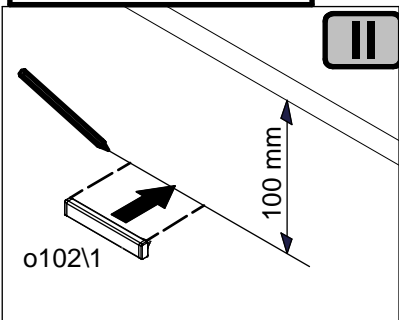
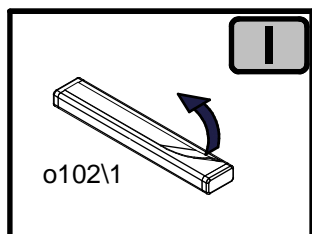
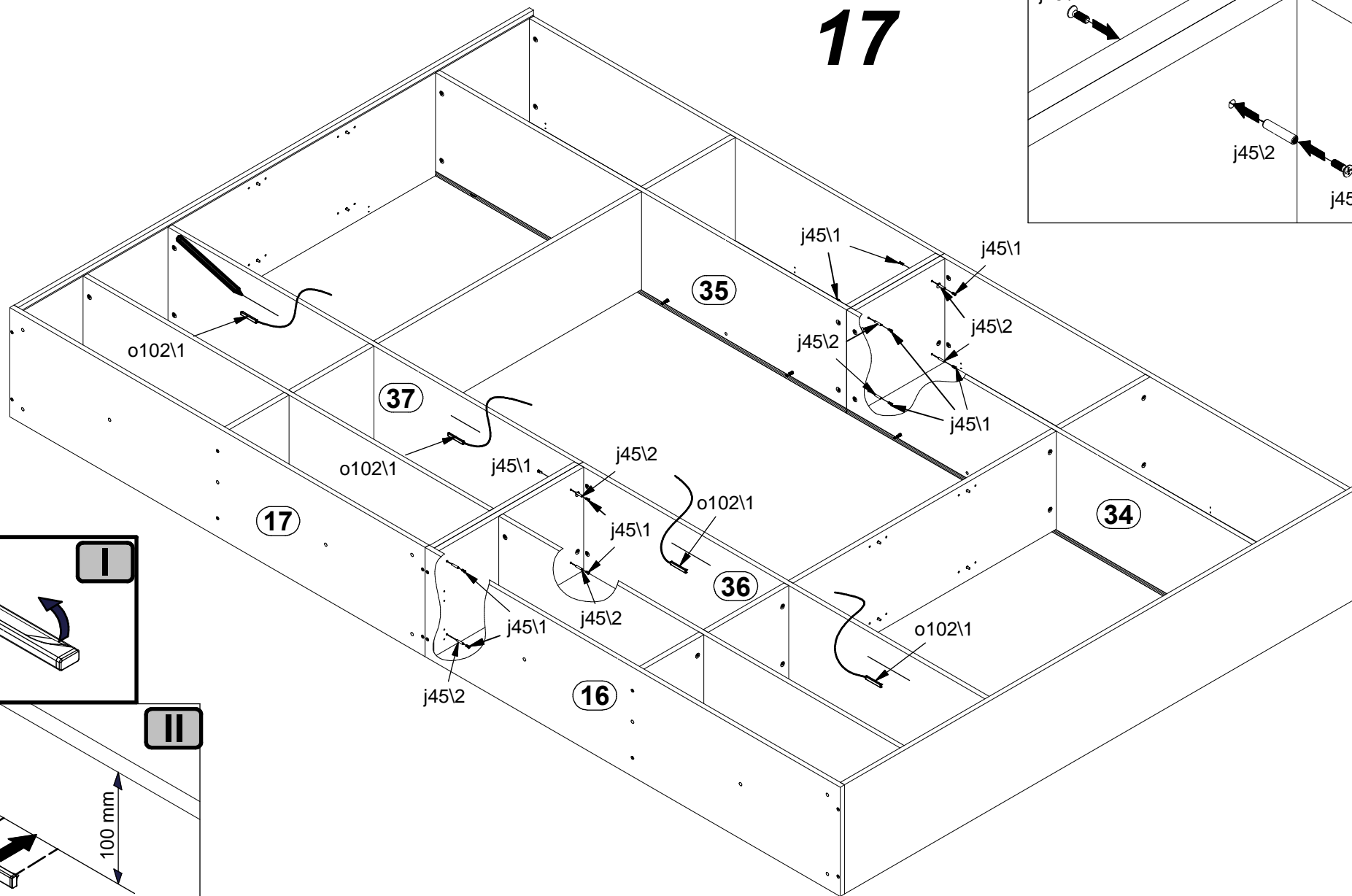
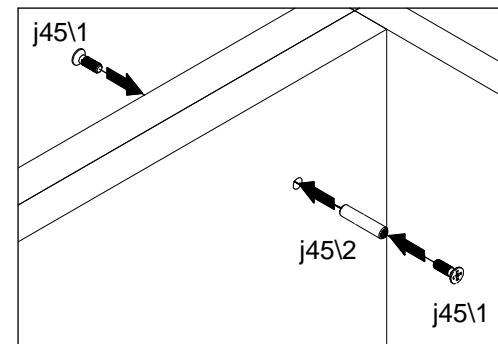




16

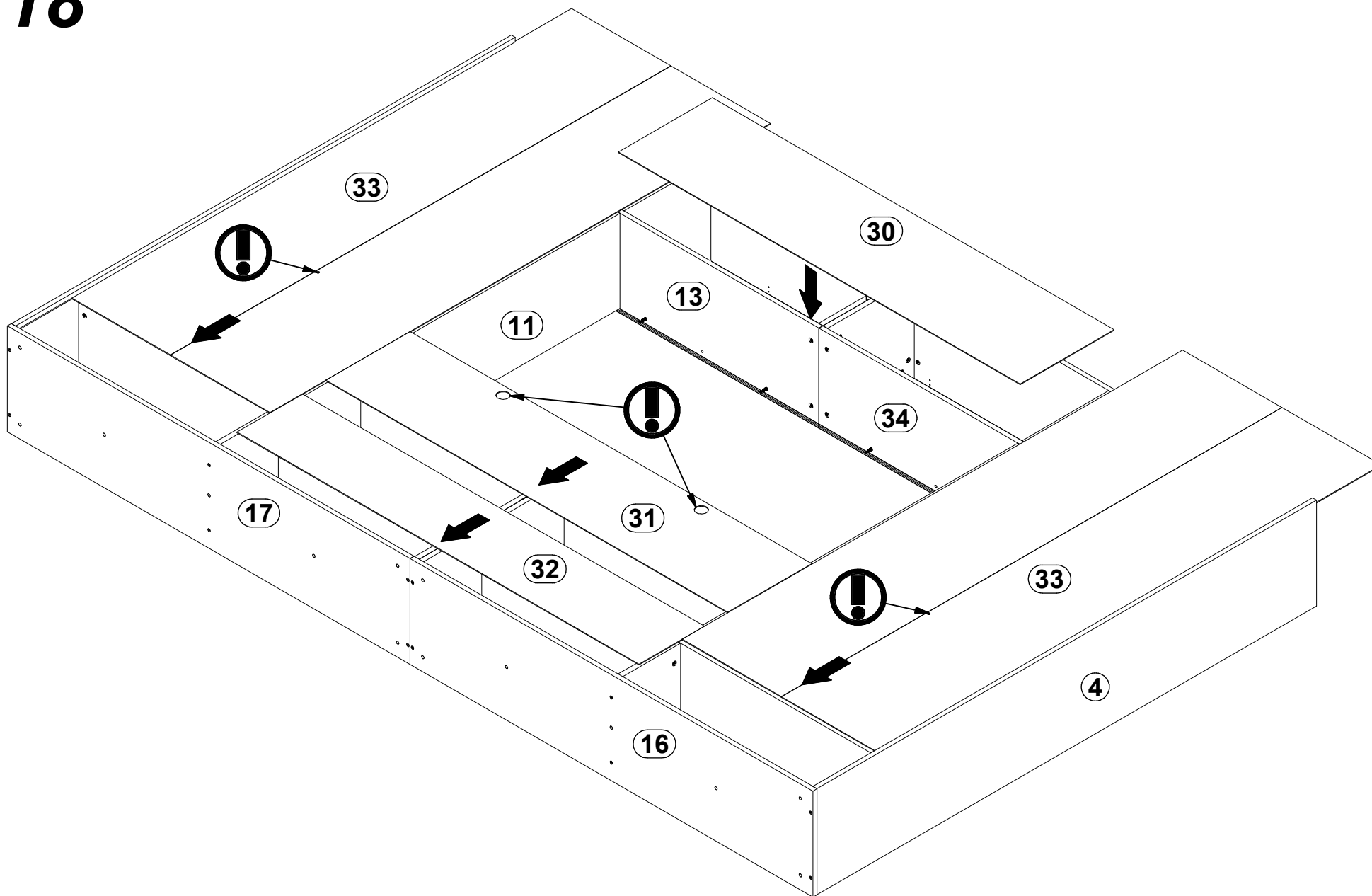


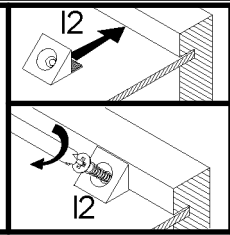
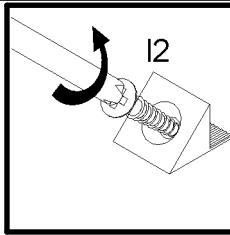
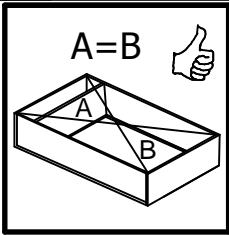
17



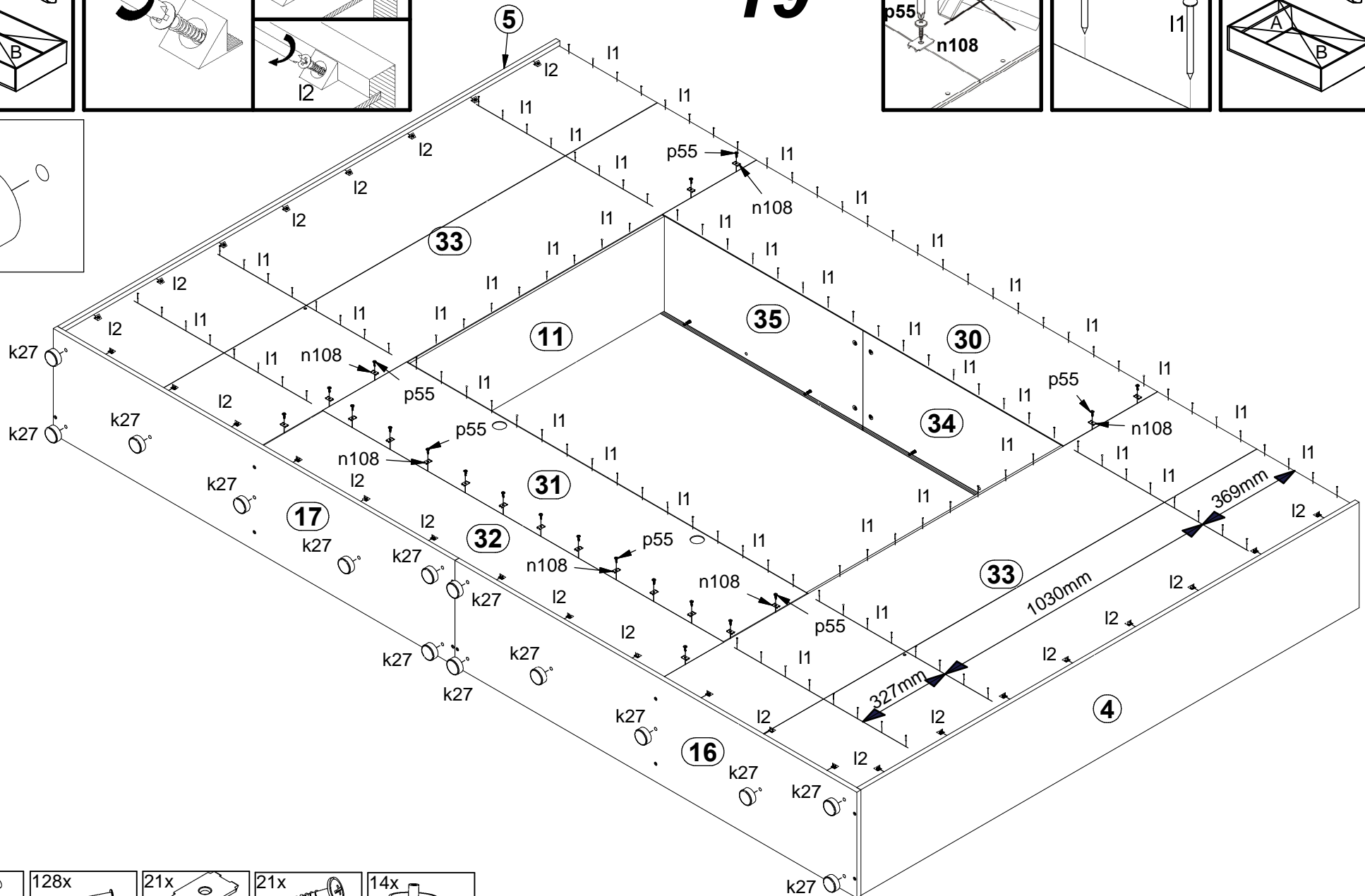
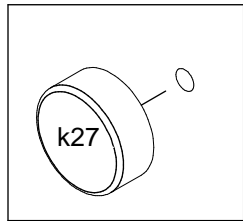
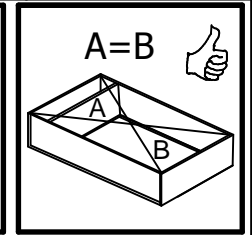
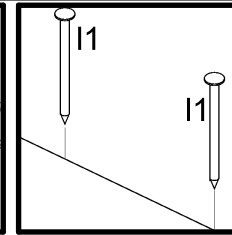
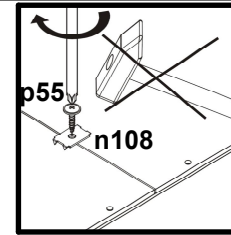
8x M4x12 mm j45\1	8x j45\2	4x 60x10x5 o102\1
-------------------------	-------------	-------------------------

18





19

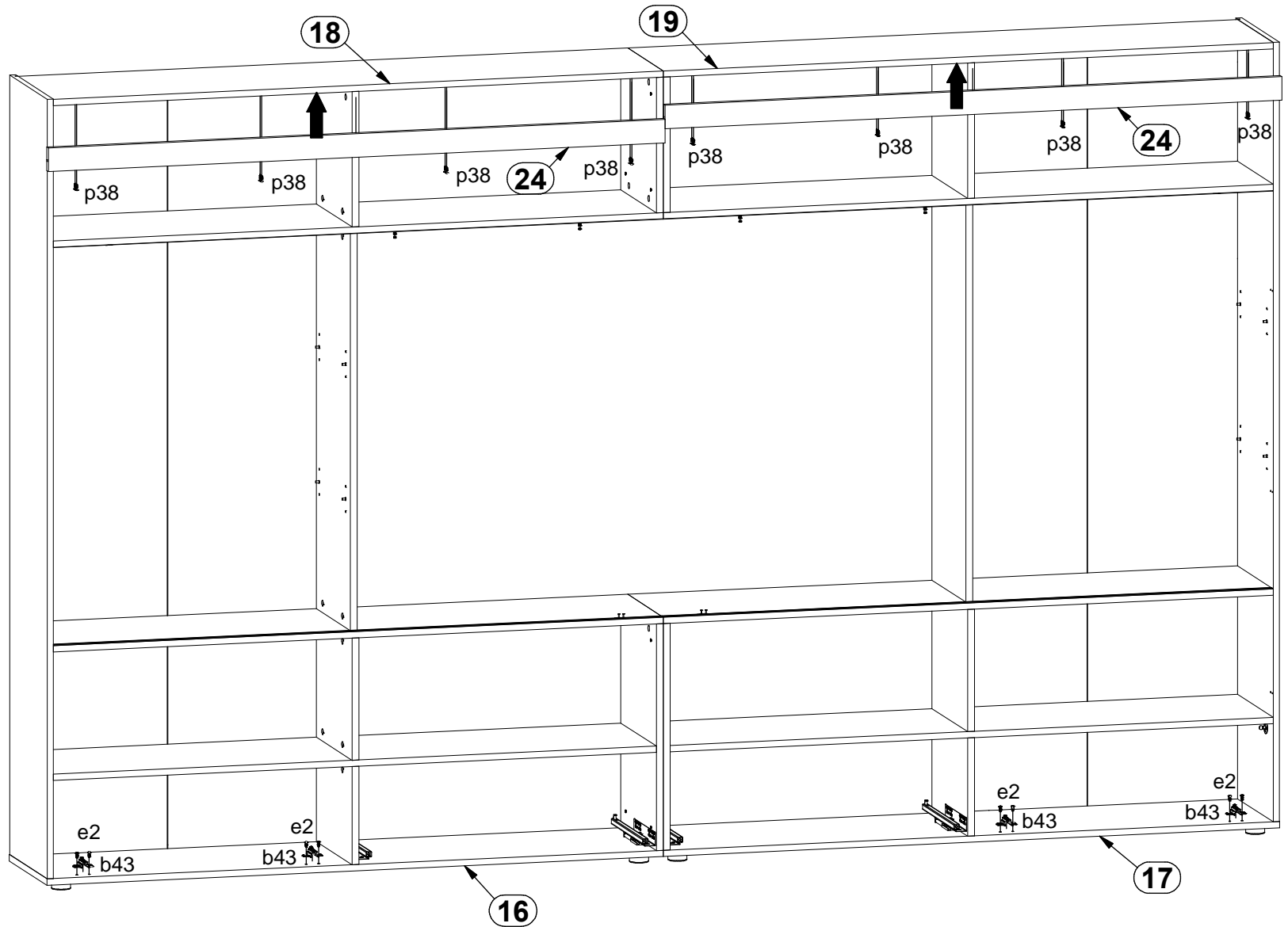
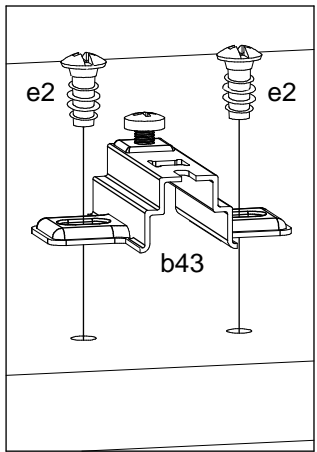
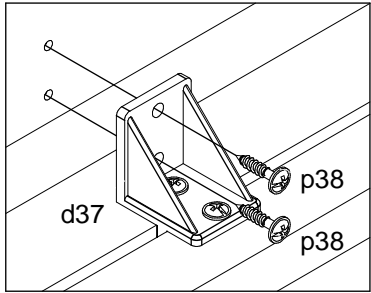


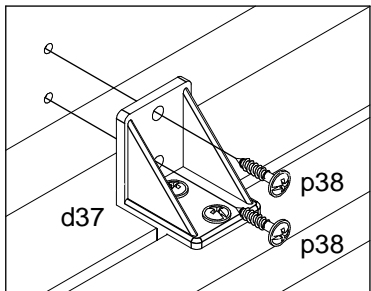
- 28x

- 128x

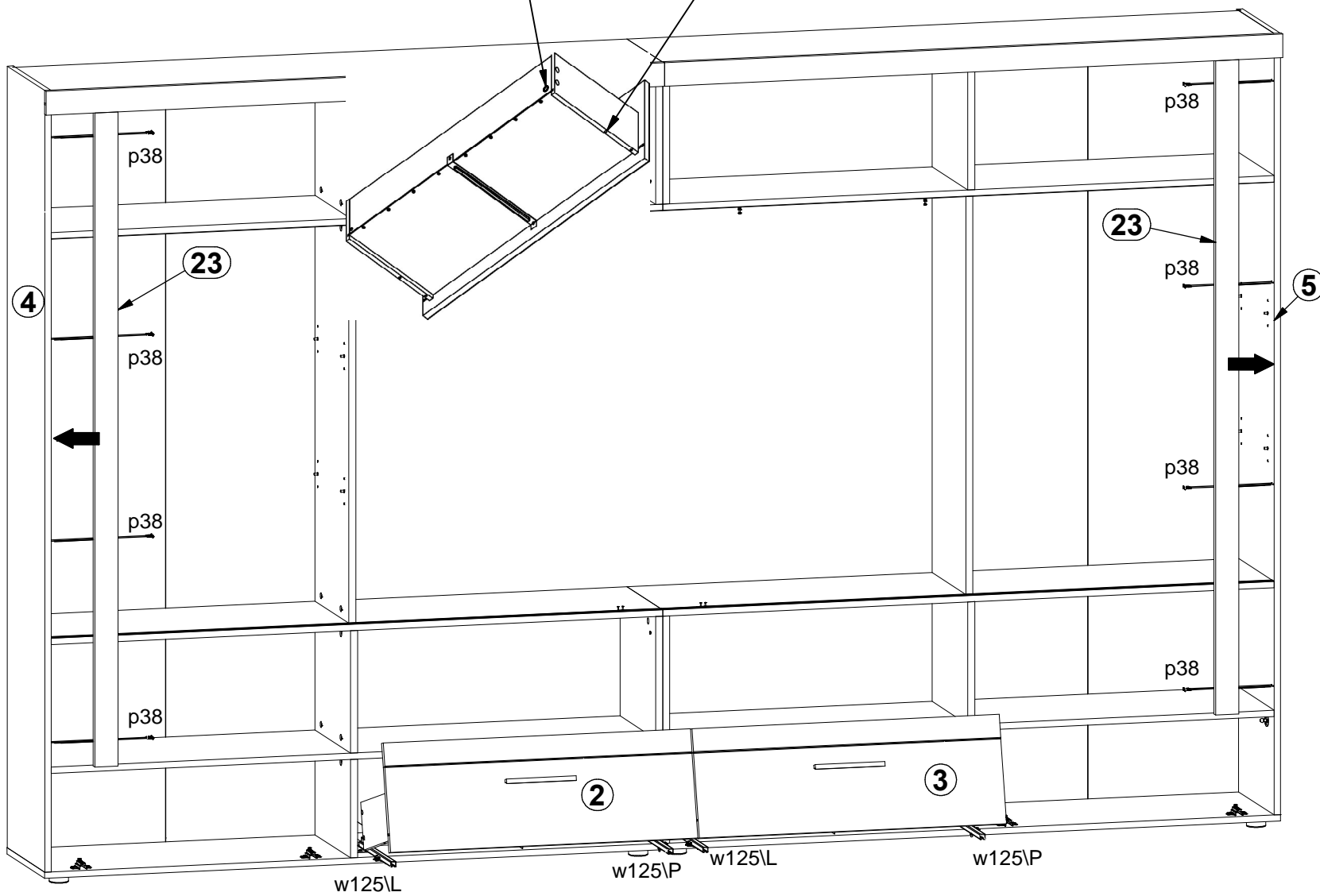
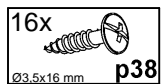
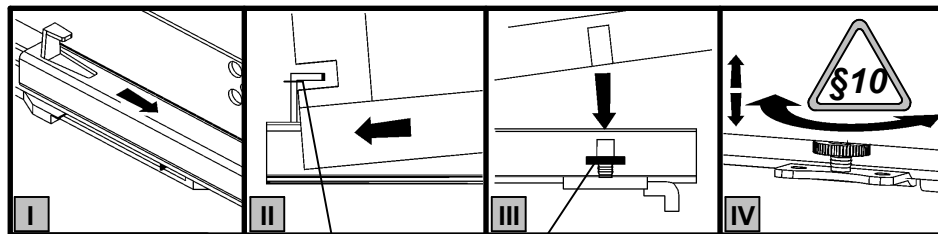
- 21x
 n108
- 21x
 p55
- 14x
 k27

20

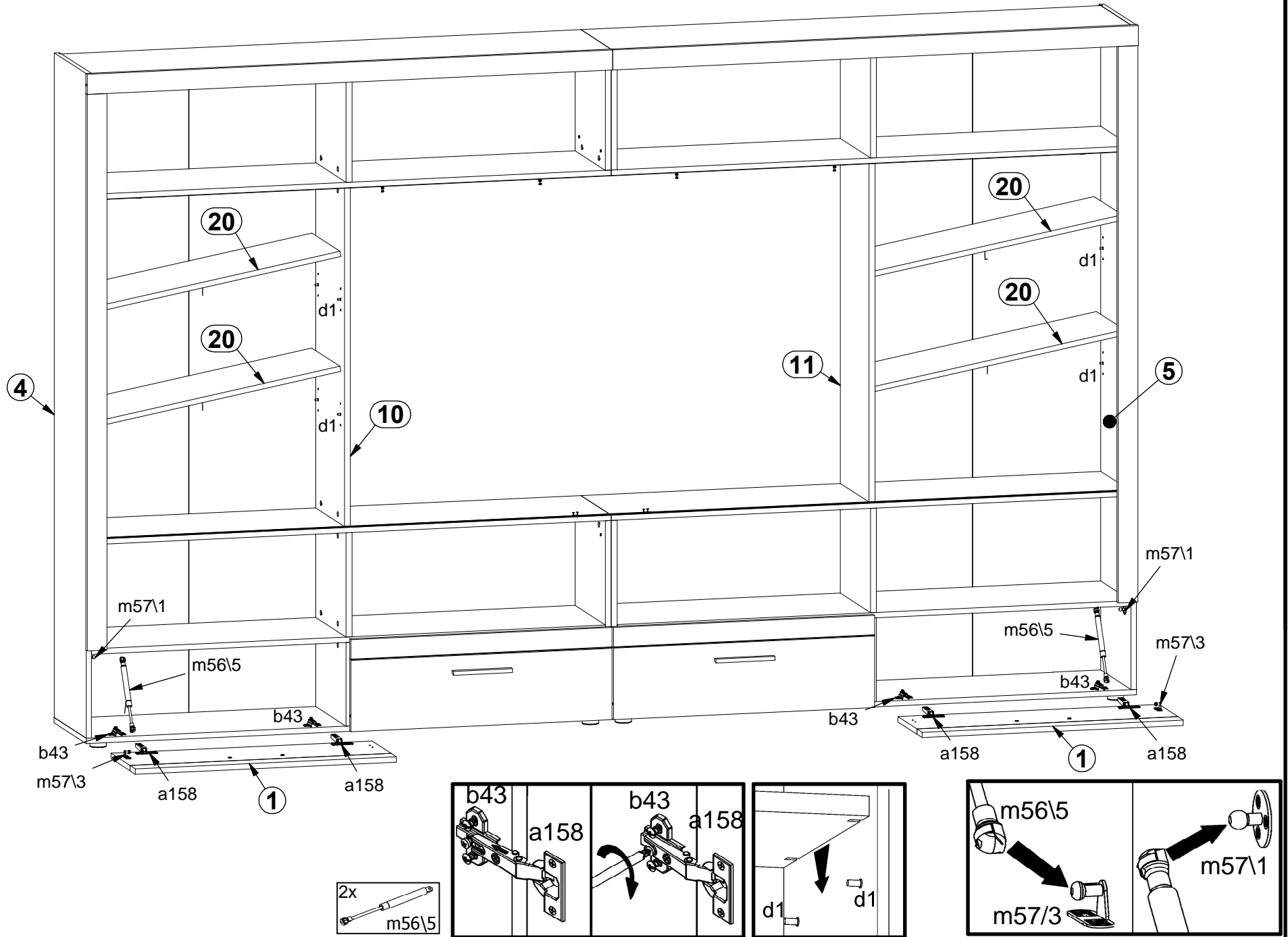




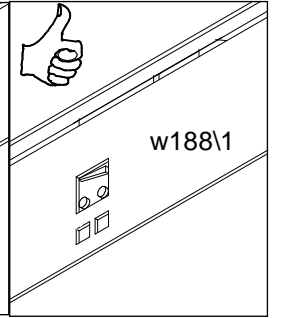
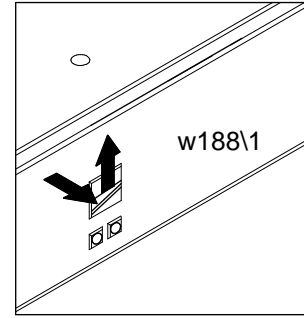
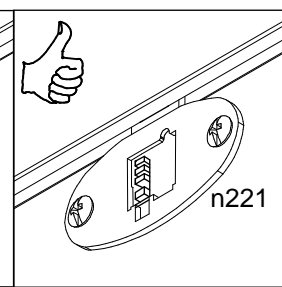
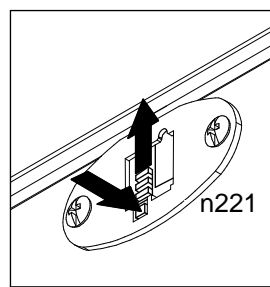
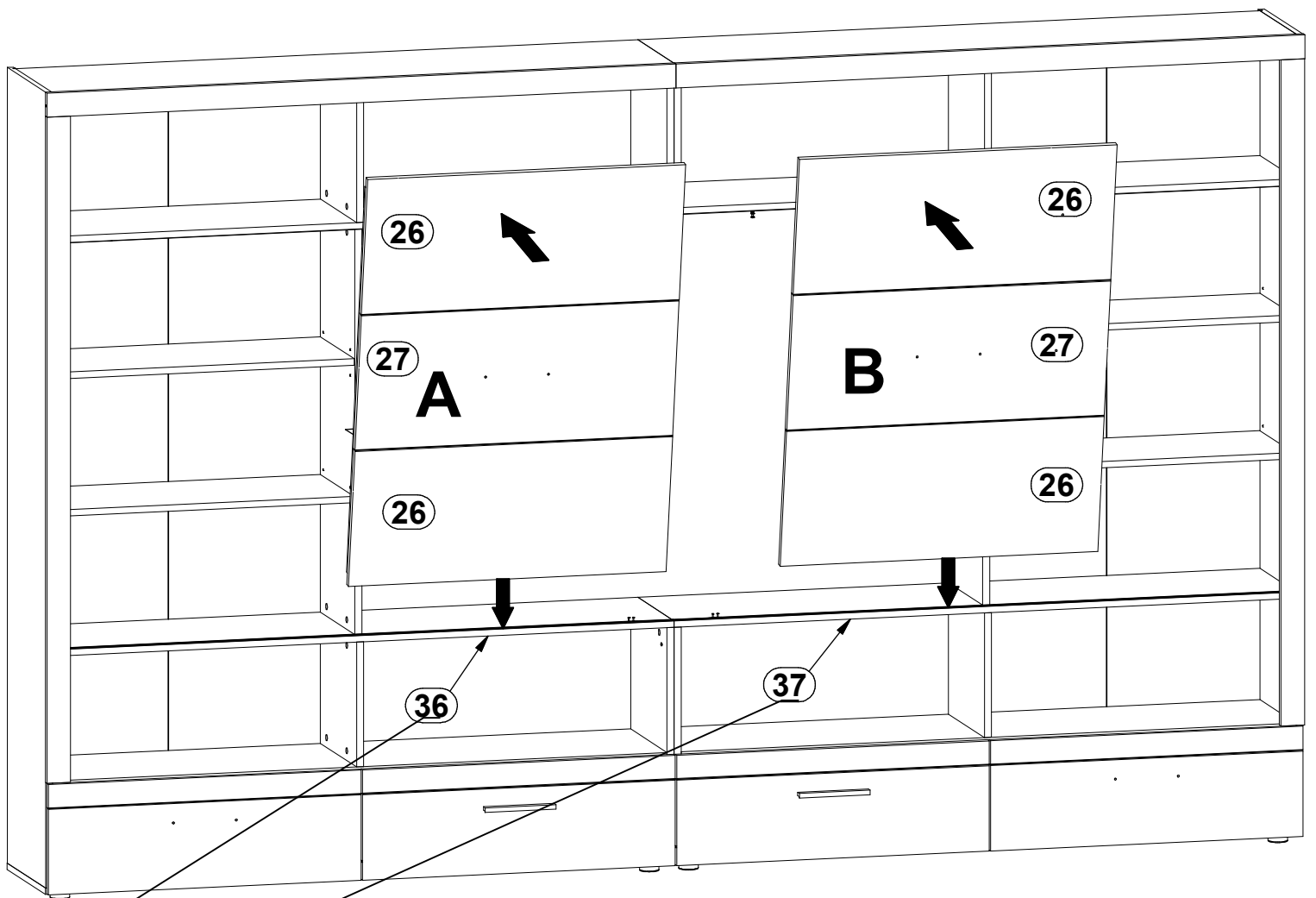
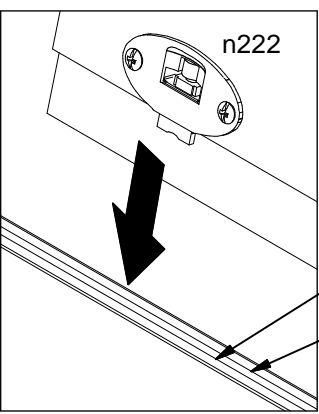
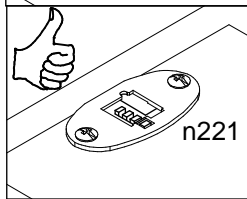
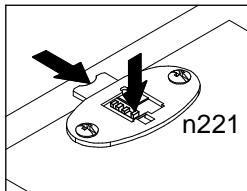
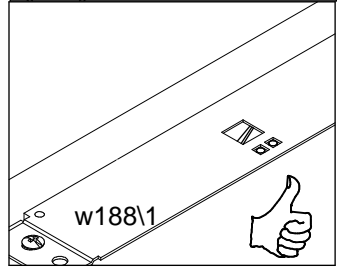
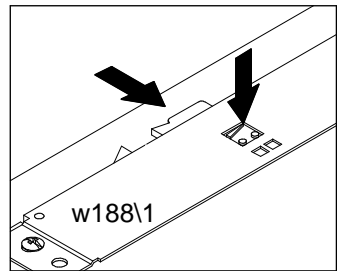
21

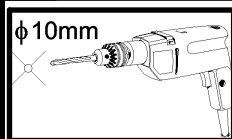


22

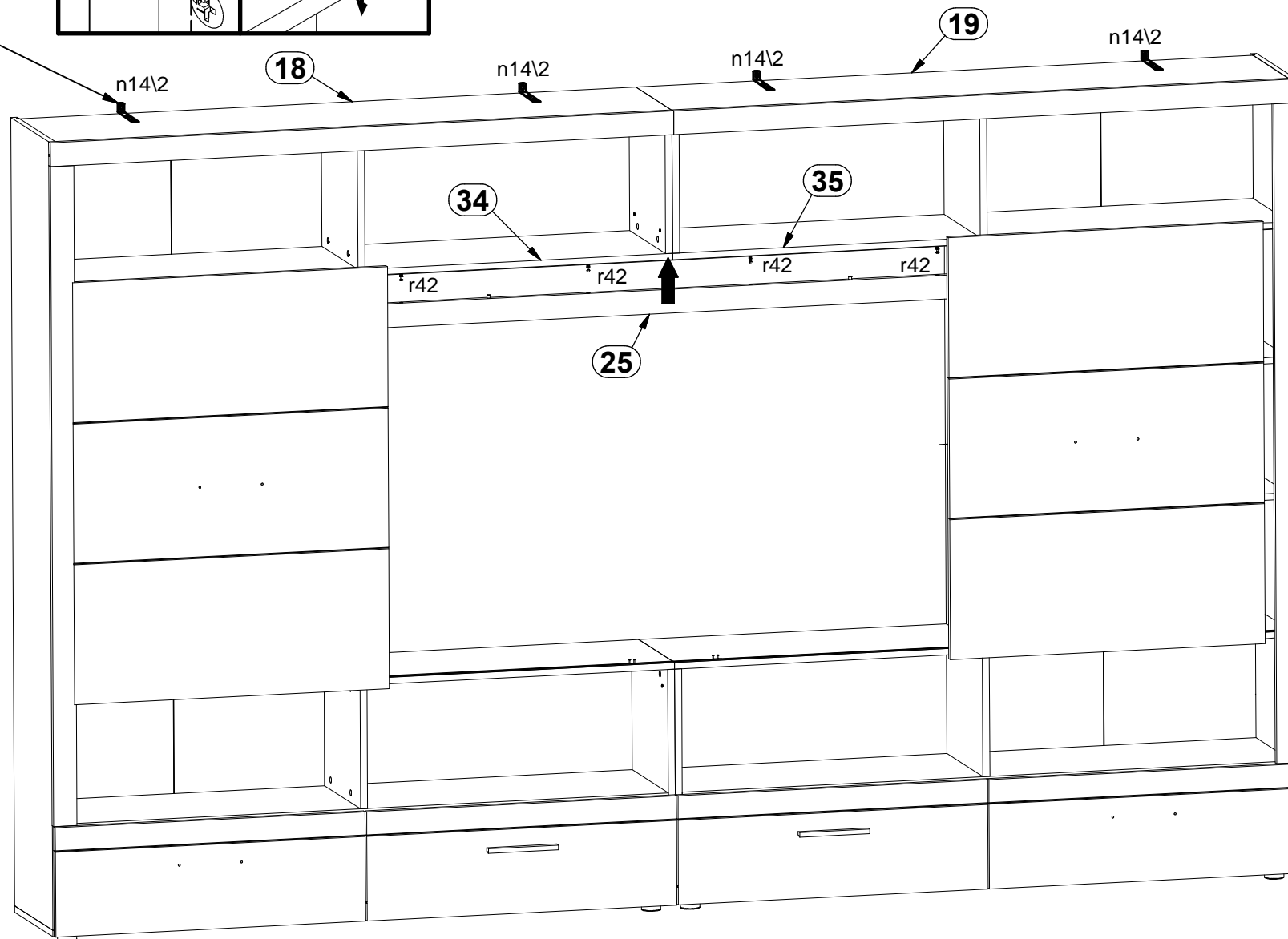
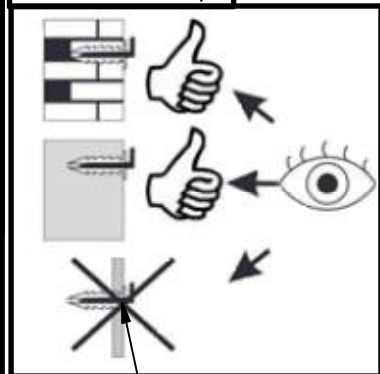
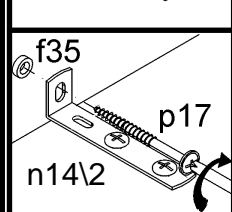
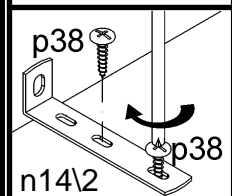
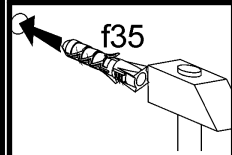
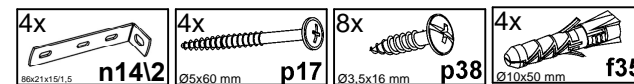
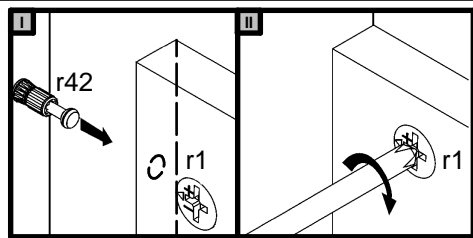


23





24



25

