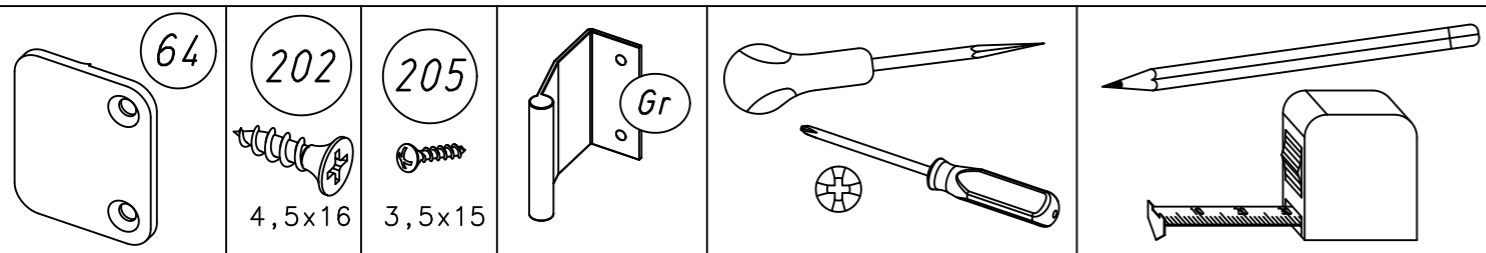


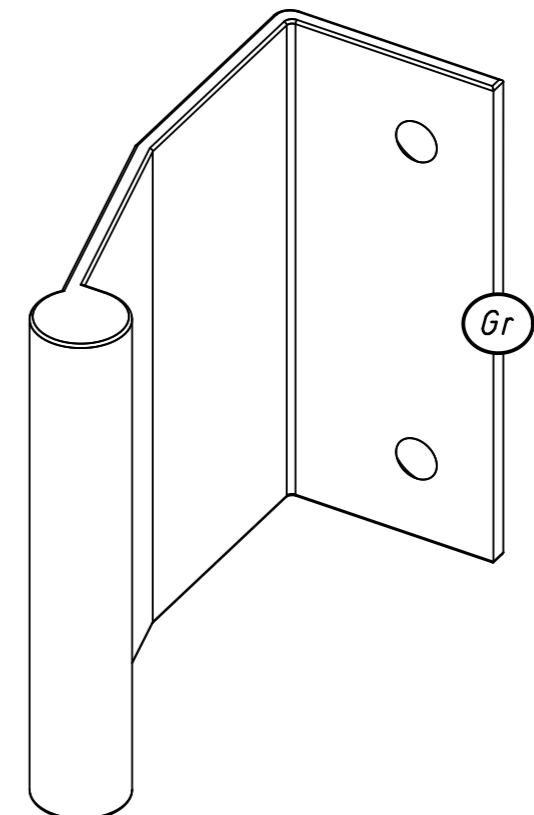
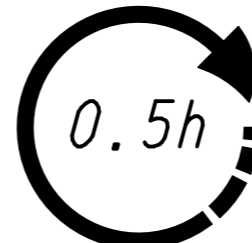
1.

ME480_09

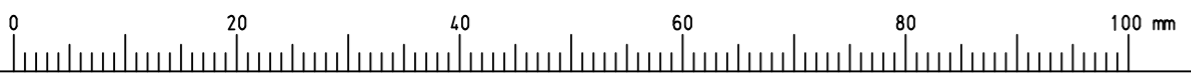
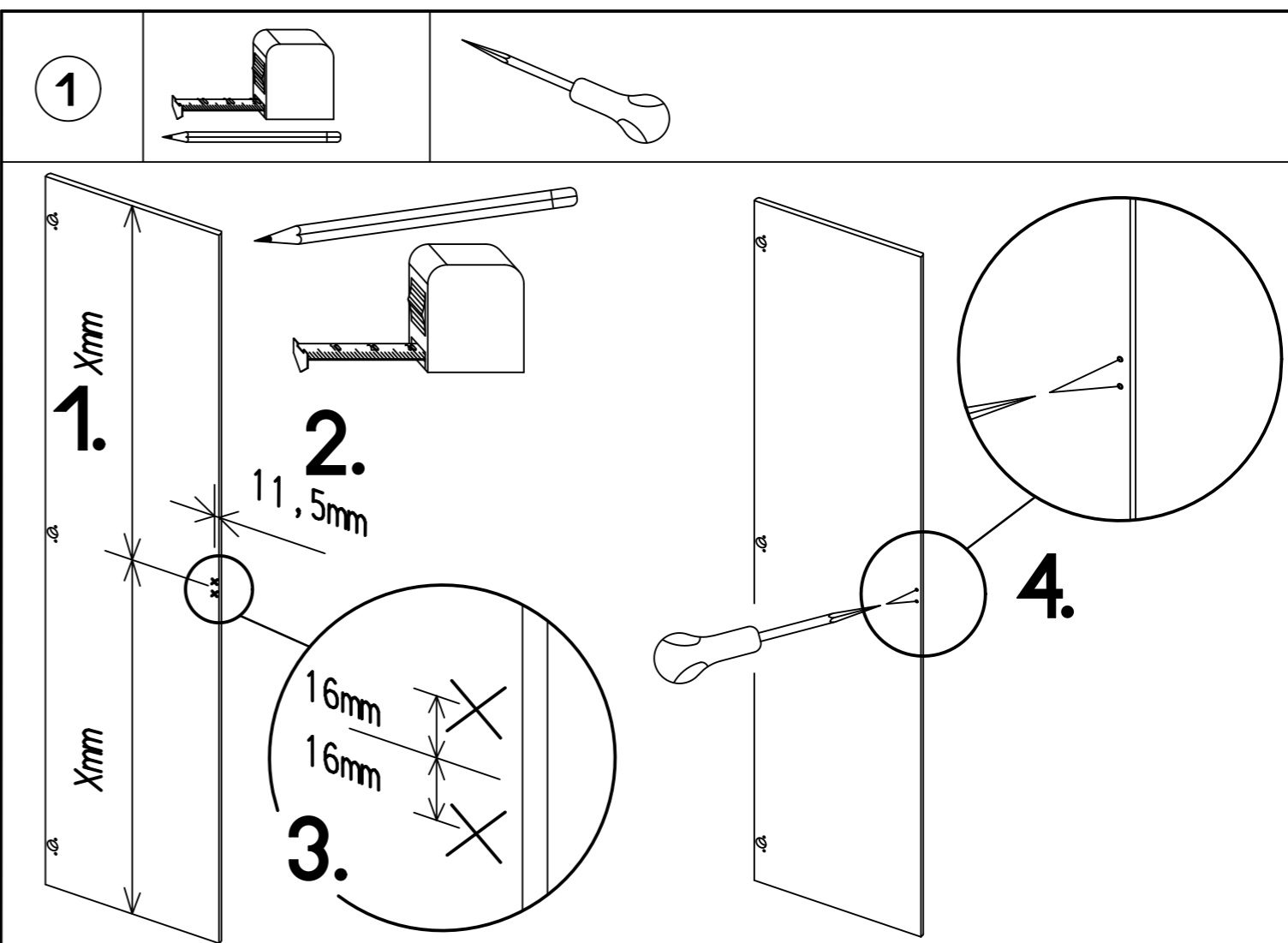
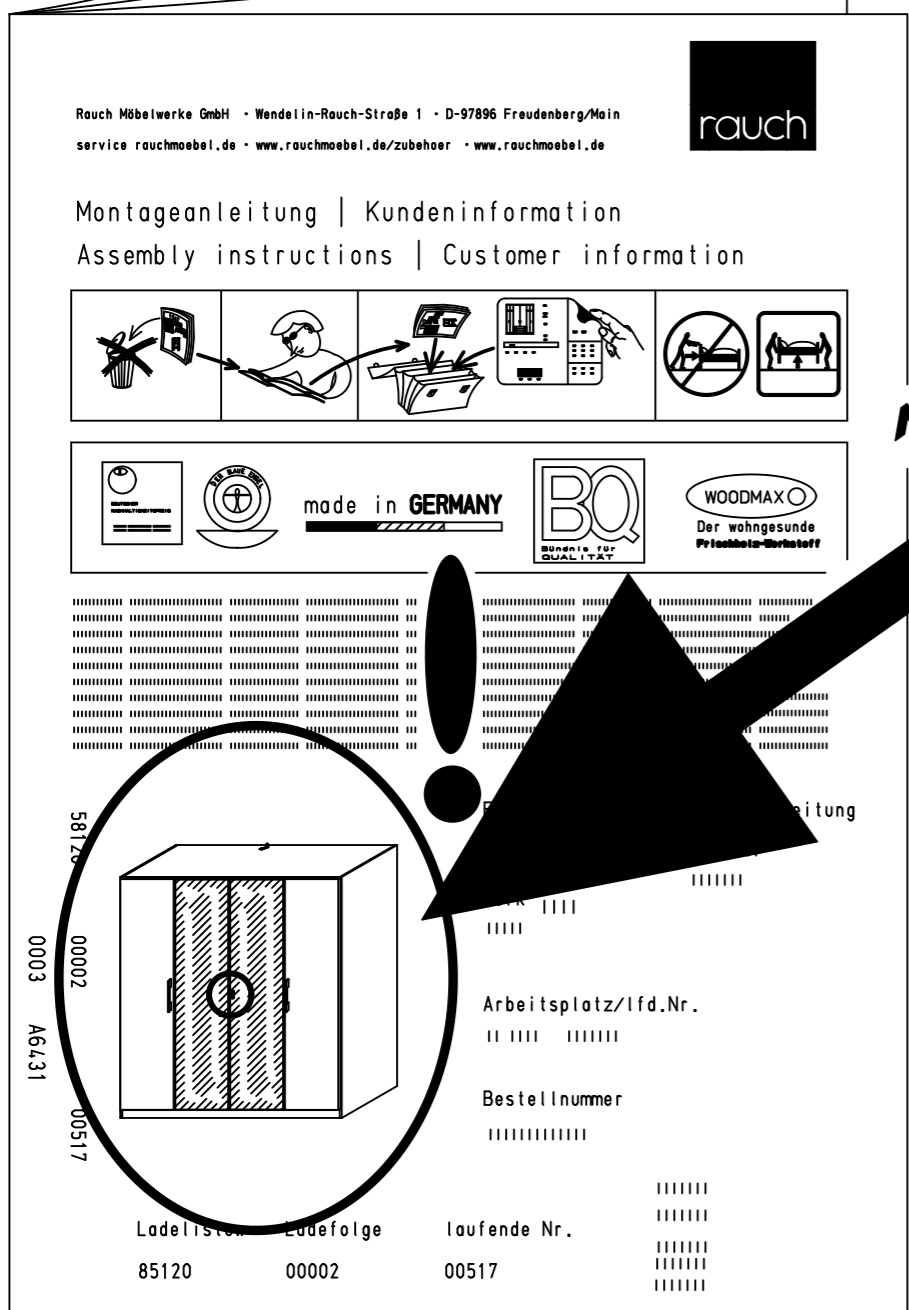
rauch



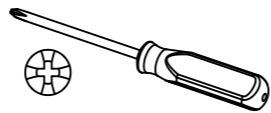
2.



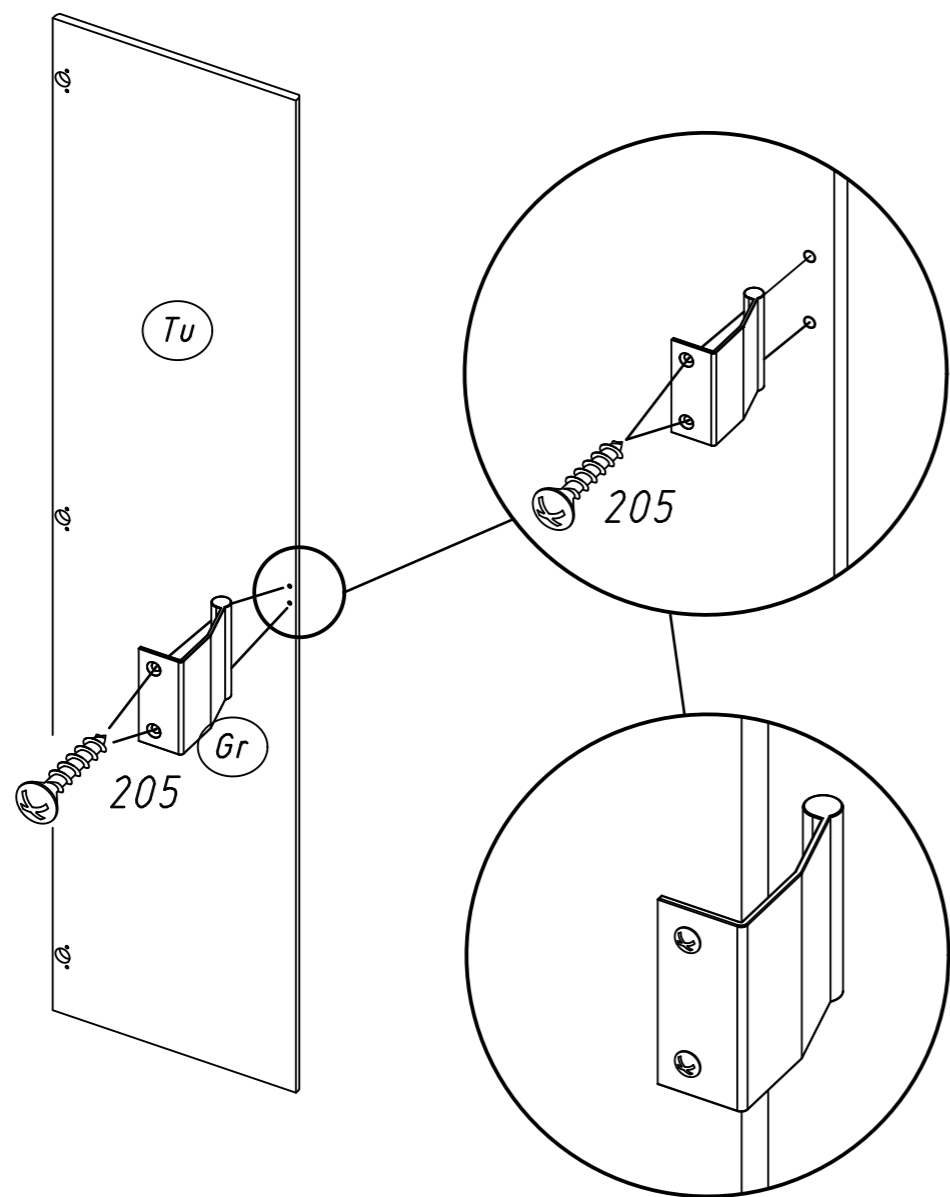
1...2...3...4...X Gr ?



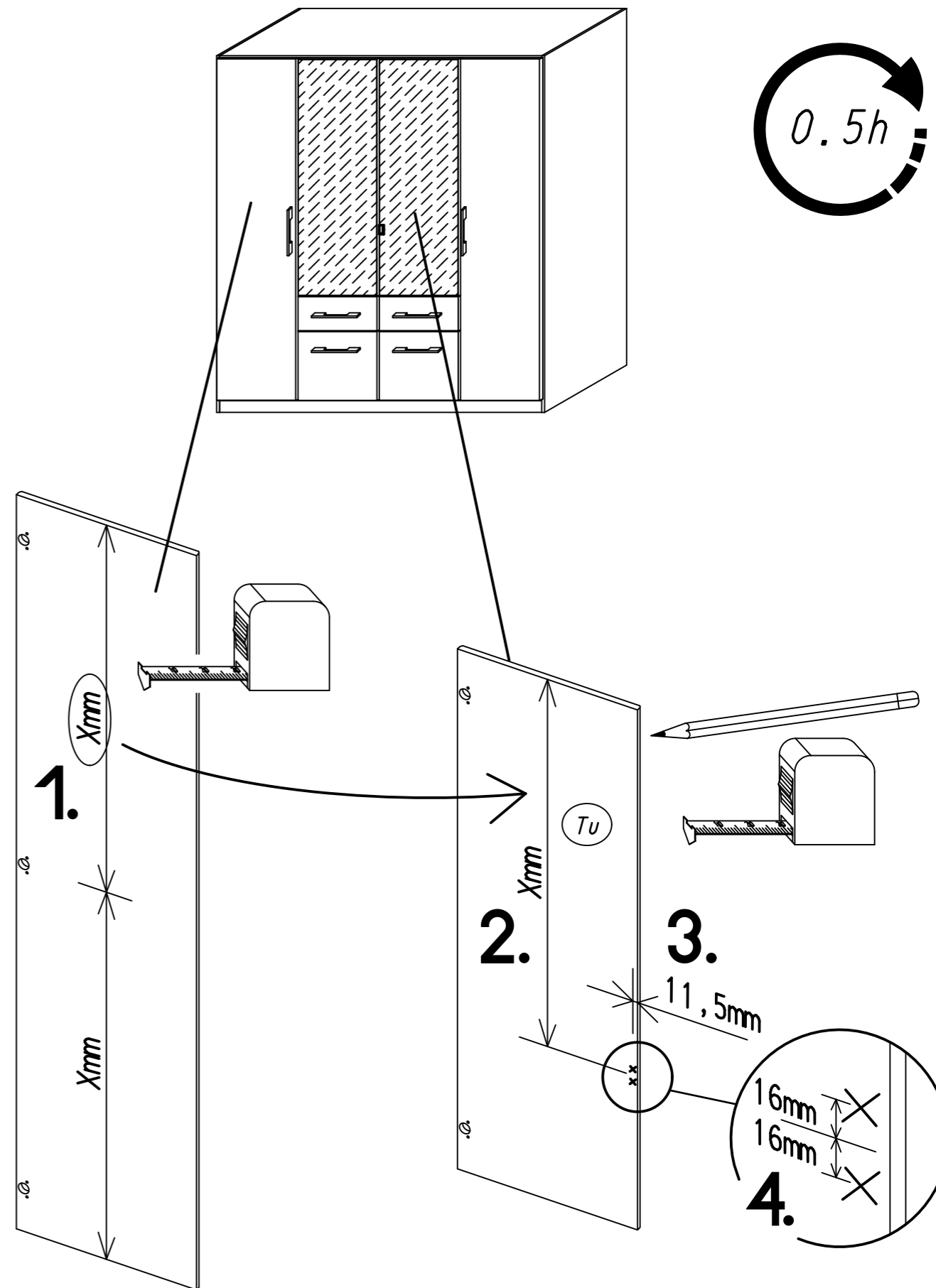
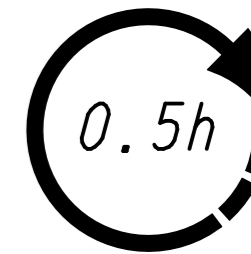
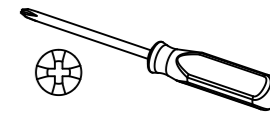
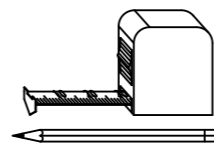
2



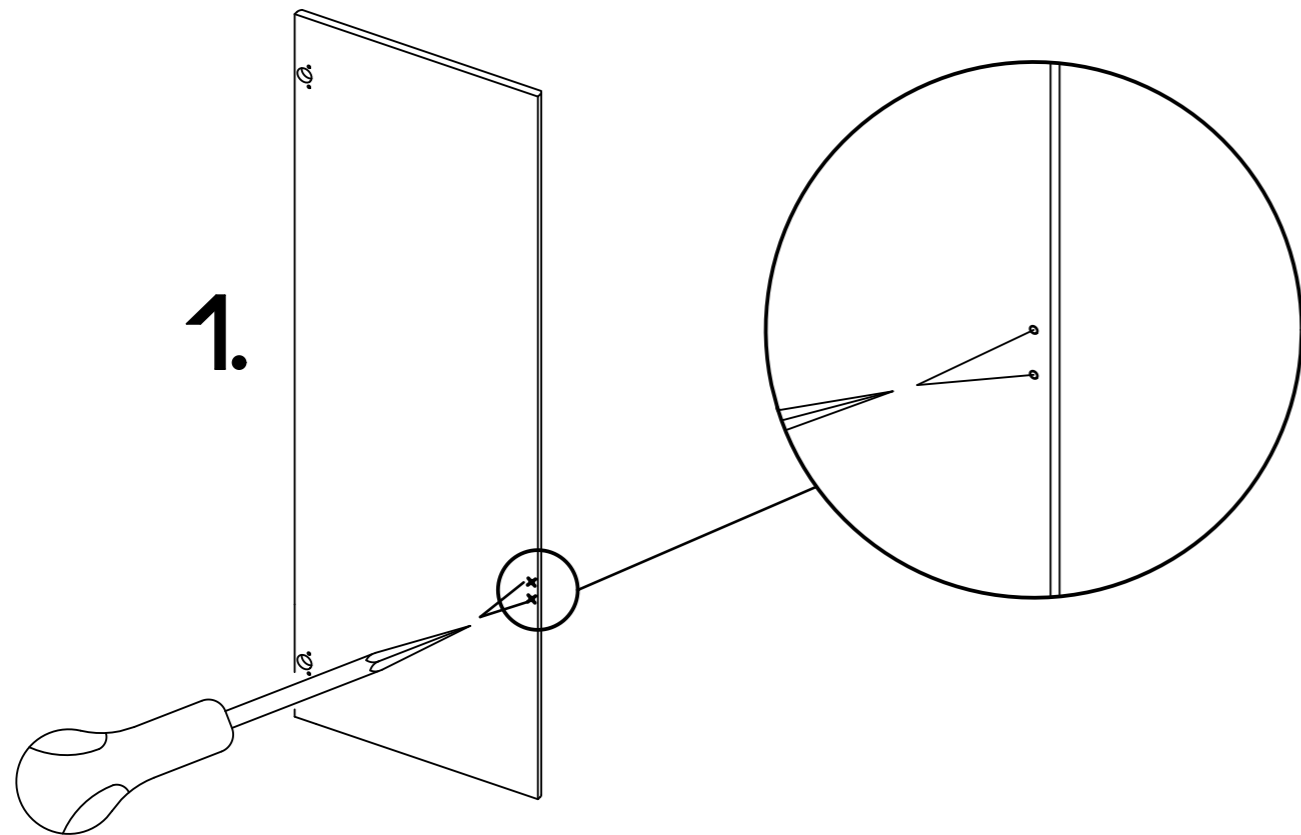
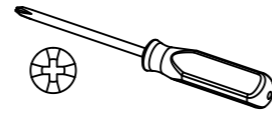
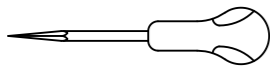
- 1x \textcircled{Tu} = 1x \textcircled{Gr} | 2x $\textcircled{205}$
- 2x \textcircled{Tu} = 2x \textcircled{Gr} | 4x $\textcircled{205}$
- 3x \textcircled{Tu} = 3x \textcircled{Gr} | 6x $\textcircled{205}$
- ...



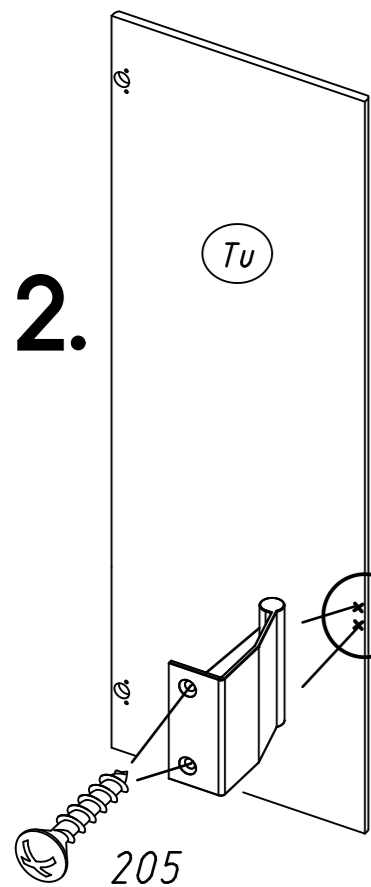
1



2



1.



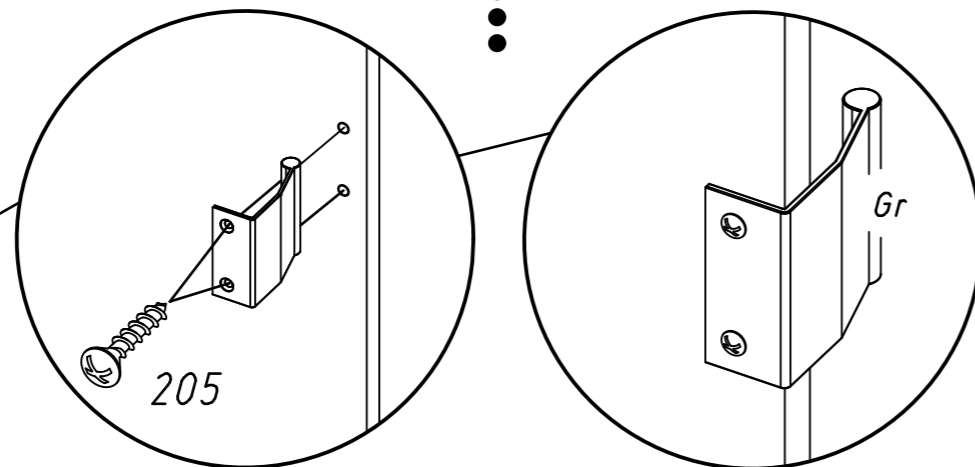
2.

1x (Tu) = 1x (Gr) | 2x (205)

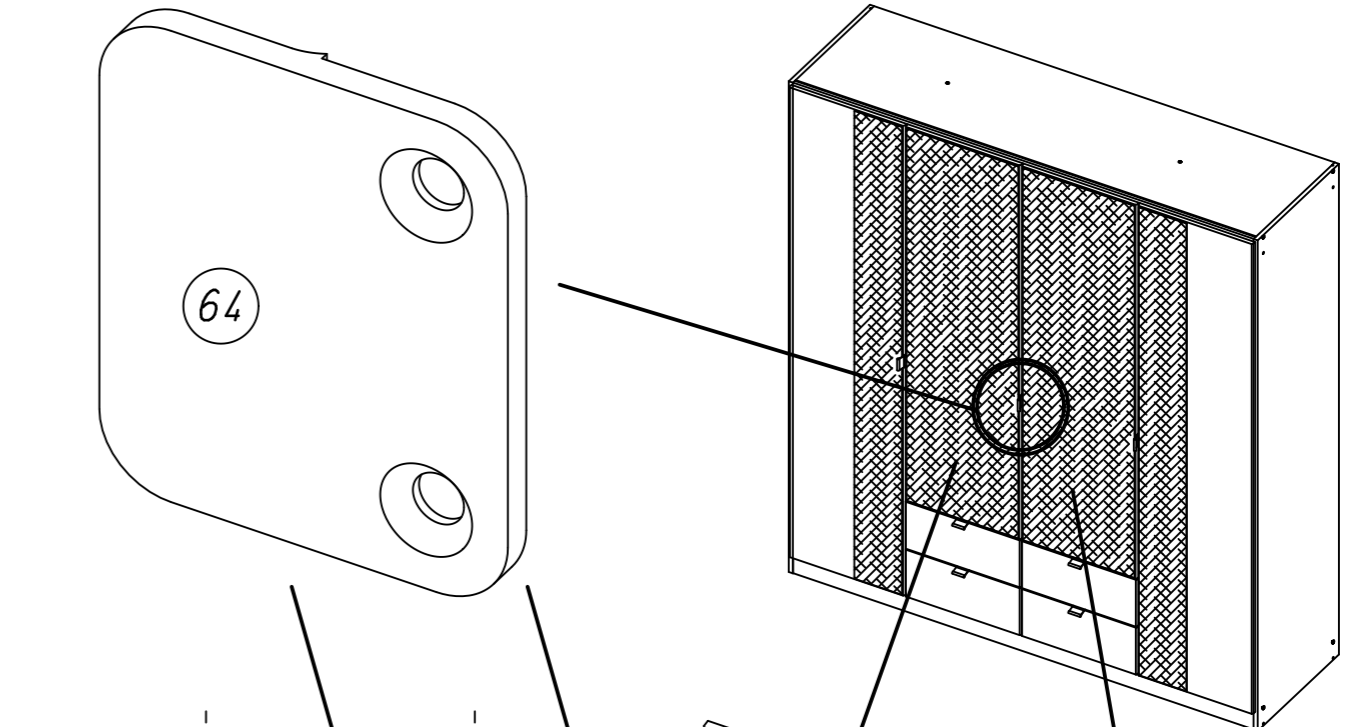
2x (Tu) = 2x (Gr) | 4x (205)

3x (Tu) = 3x (Gr) | 6x (205)

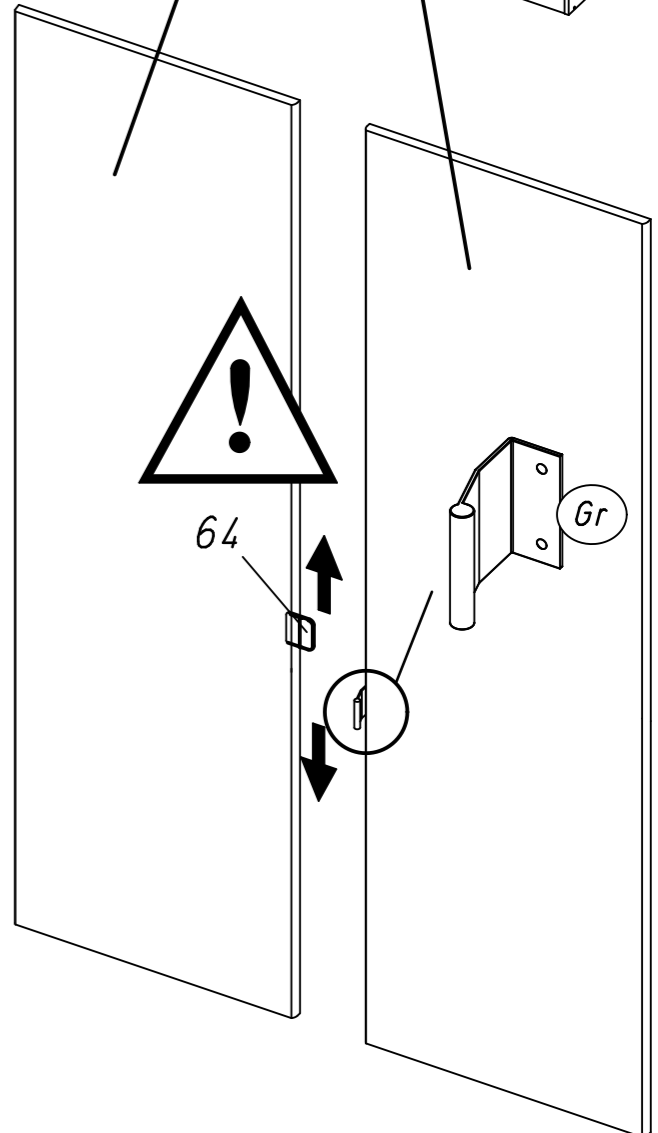
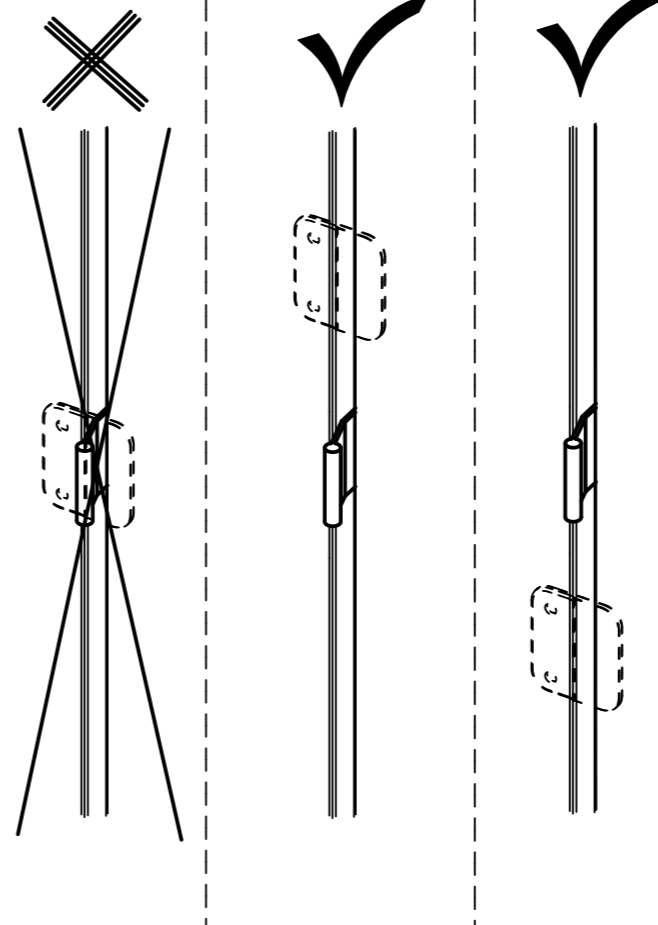
...



3

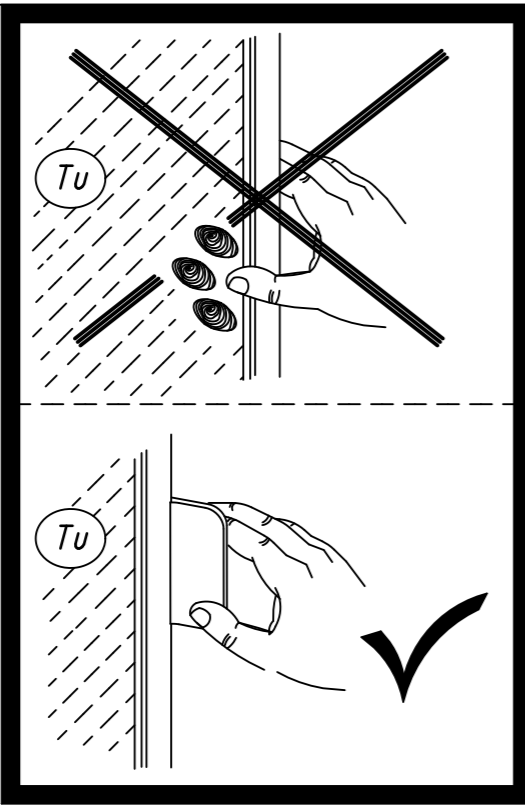
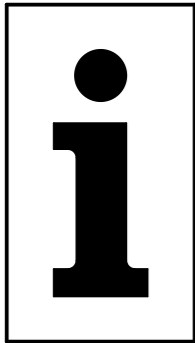


64

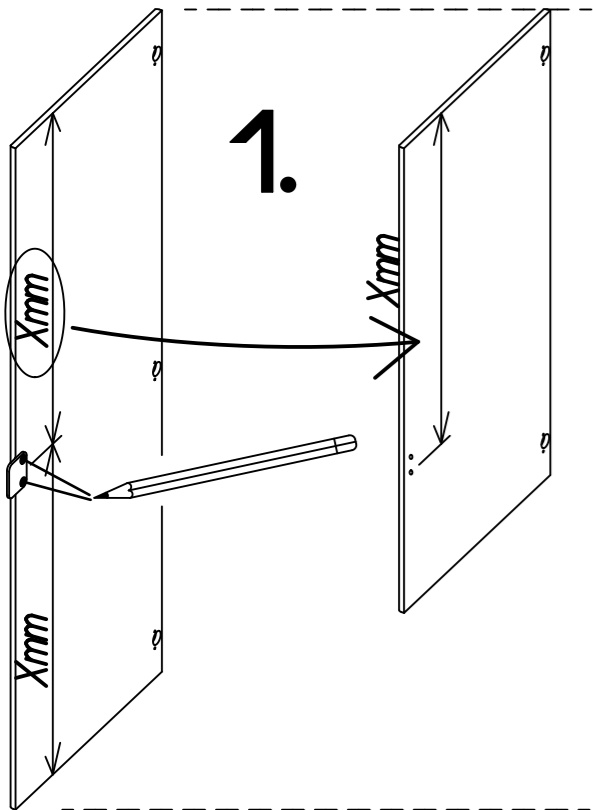
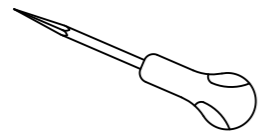
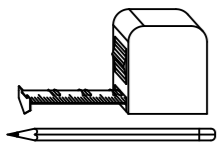


64

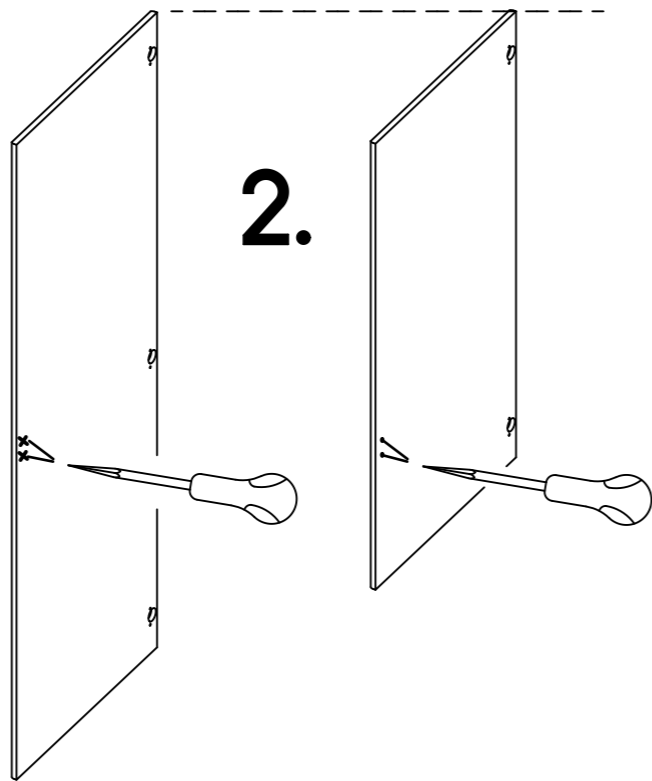
Gr



4

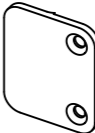


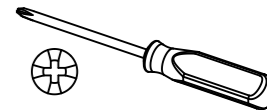
1.




2.

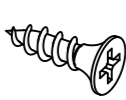
5

1x Tu = 1x 64 



1x Tu = 2x 202 

2x Tu = 4x 202 

3x Tu = 6x 202 

⋮

