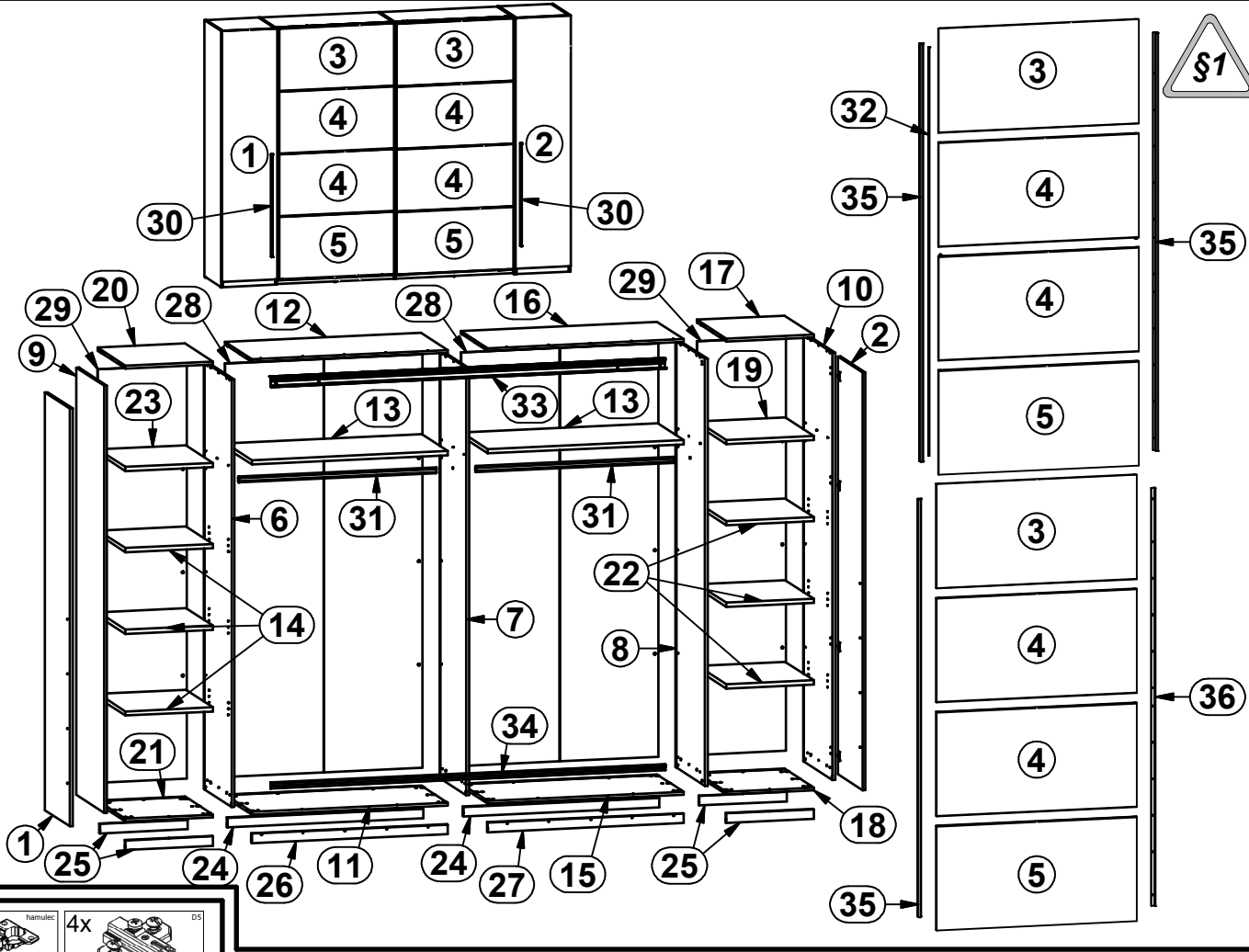
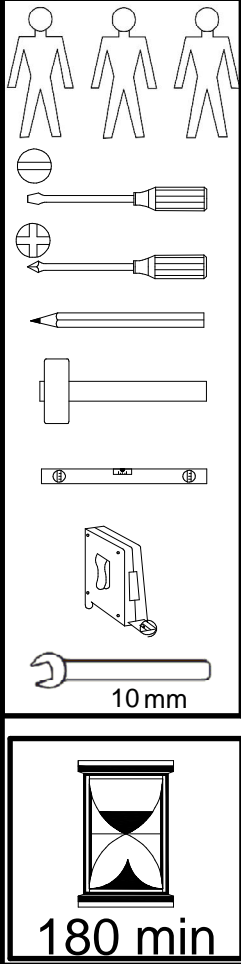


A F36-MATCH2

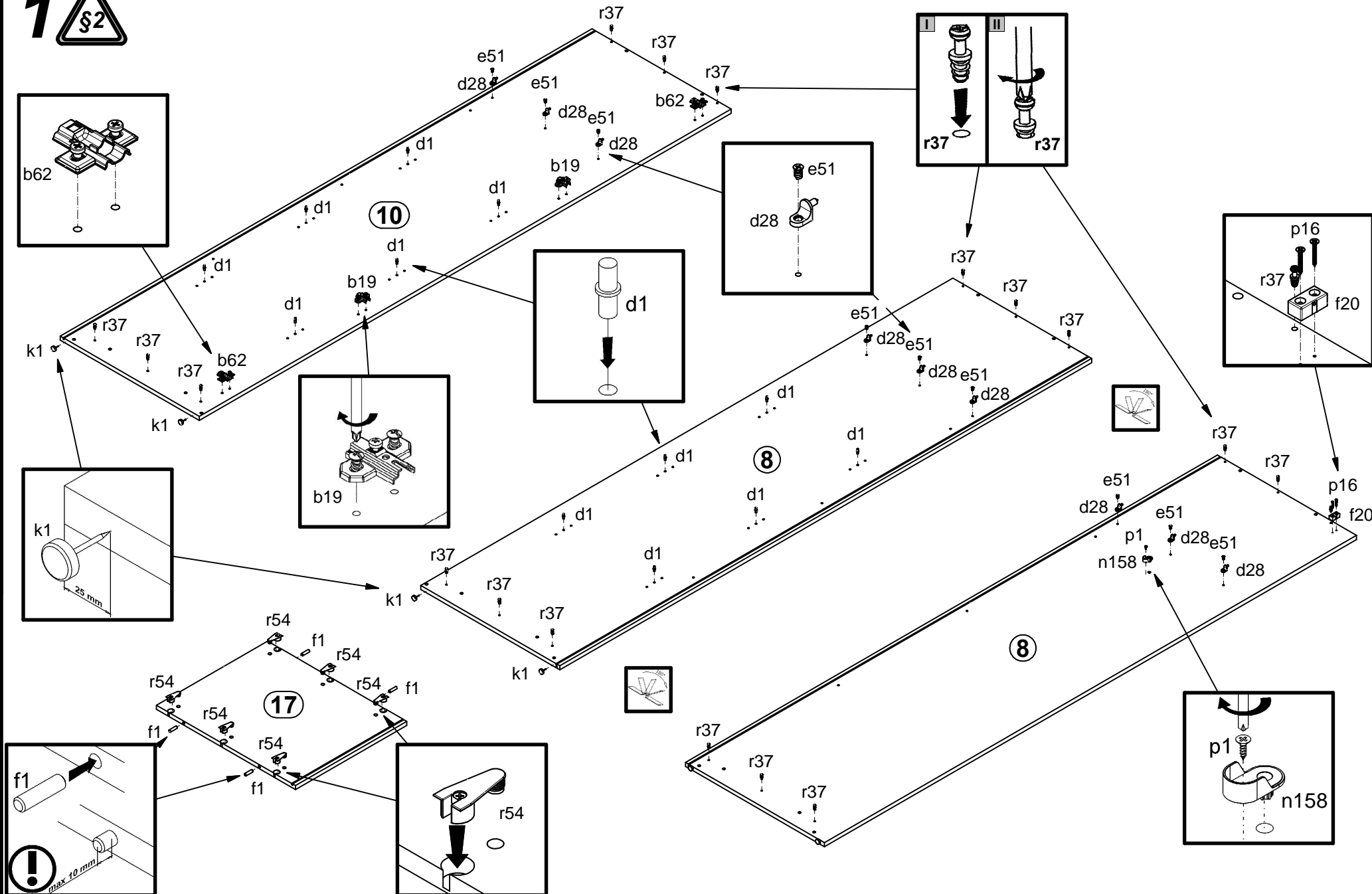
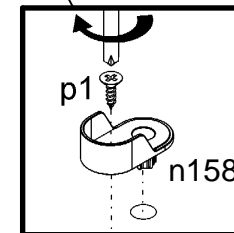
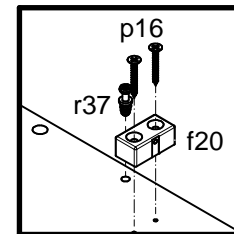
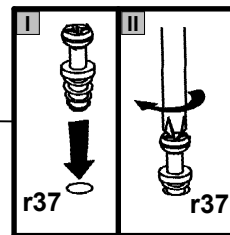
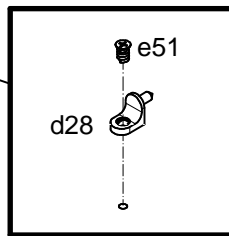
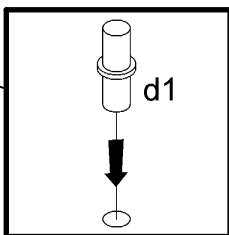
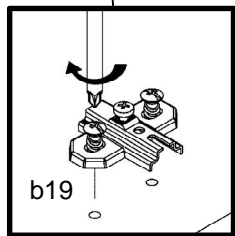
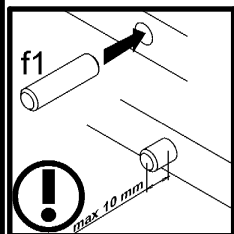
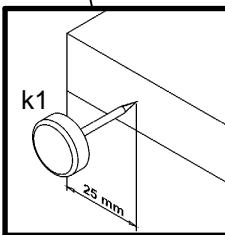
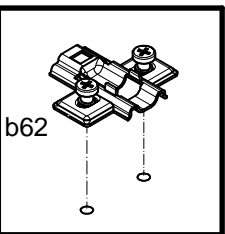
58-712-A5



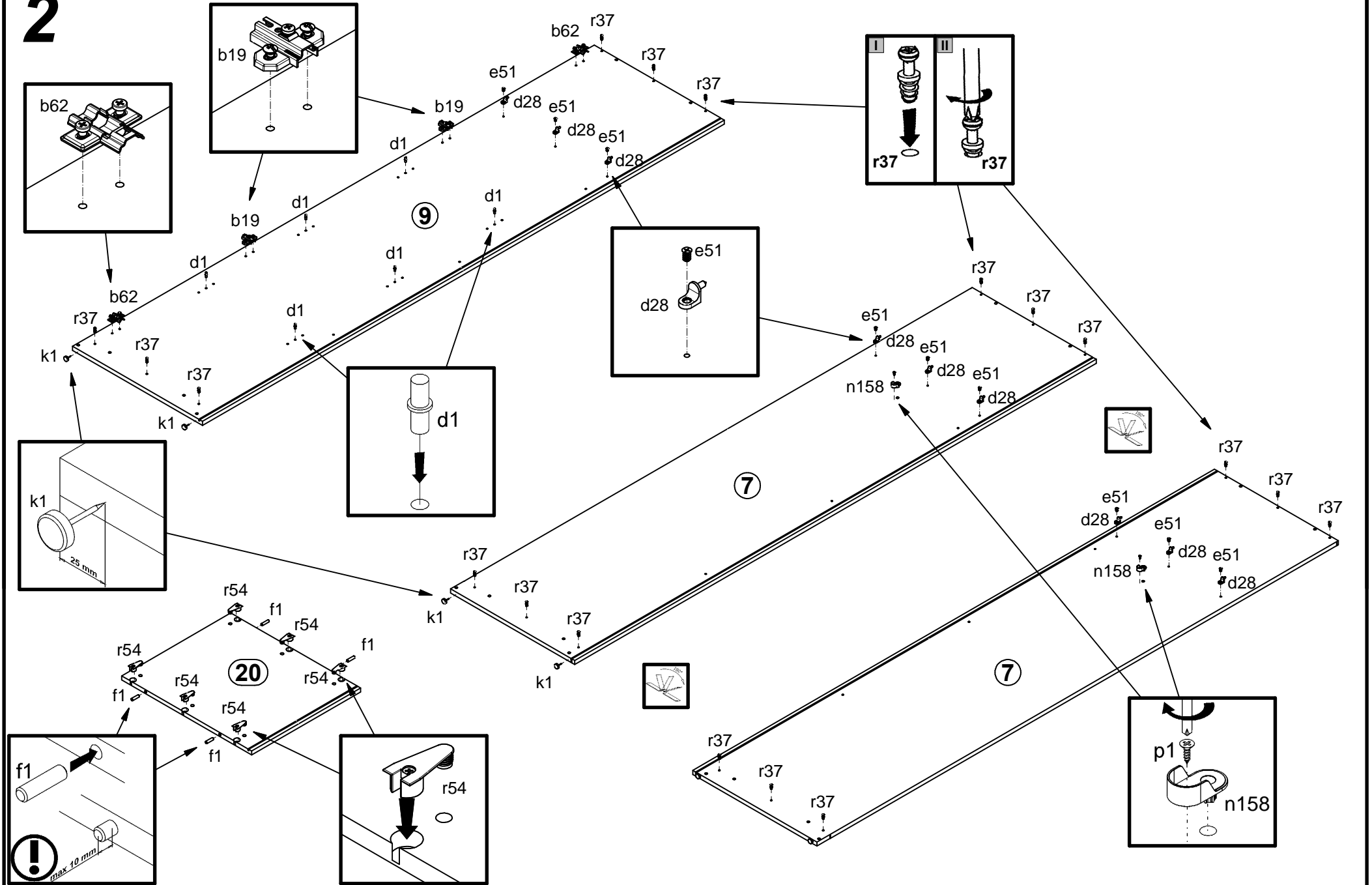
A	B	C (mm)		D
1	F36-001	2200	496	6/8
2	F36-002	2200	496	6/8
3	F36-003	1075	550	7/8
4	F36-004	1075	550	8/8
5	F36-005	1075	550	7/8
6	F36-101	2250	560	1/8
7	F36-102	2249	535	3/8
8	F36-103	2250	588	2/8
9	F36-104	2250	560	1/8
10	F36-105	2250	588	2/8
11	F36-301	1052	535	4/8
12	F36-302	1052	535	4/8
13	F36-303	1052	519	4/8
14	F36-305	469	543	3/8
15	F36-306	1052	535	4/8
16	F36-307	1052	535	1/8
17	F36-309	470	588	2/8
18	F36-310	470	588	2/8
19	F36-311	470	572	3/8
20	F36-321	470	560	1/8
21	F36-322	470	560	1/8
22	F36-323	469	571	3/8
23	F36-324	470	544	3/8
24	F36-401	1052	50	2/8
25	F36-402	470	50	2/8
26	F36-403	1052	50	2/8
27	F36-404	1052	50	2/8
28	F36-901	2177	1060	2/8
29	F36-902	2178	478	1/8
30	c4102	900	10	2/8
31	dr-1046	1046	30	2/8
32	EG-sp 2200	2200	4	2/8
33	w1221	2118	51	5/8
34	w1241	2118	32	5/8
35	w1361	2200	29	5/8
36	w1362	2200	17	5/8



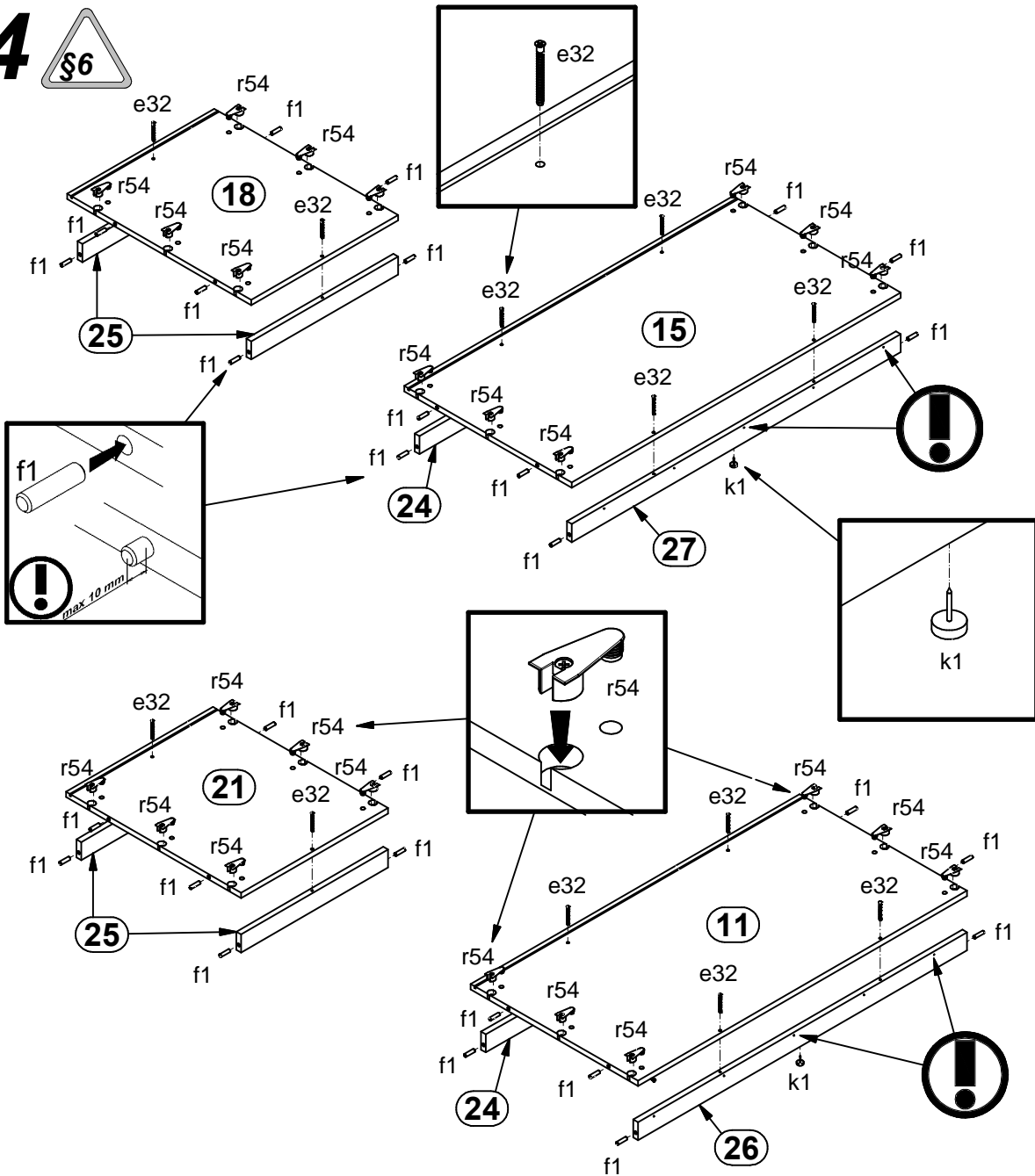
4x a44	4x hamulec a102	4x b19	4x b62	2x c4102	24x d1	30x d20	24x d28	24x e5	12x e32	30x e50	24x e51	48x f1	2x f19	2x f20	2x j10								
2x j37	14x k1	44x l2	2x n45	2x n46/3	2x n132	1x n133	1x n139	12x n148	4x n158	2x o19	1x o20	4x p1	8x p9	4x p16	4x p28	26x p51	106x p93	48x r37	48x r54	1x w1221	1x w1241	3x w1361	1x w1362



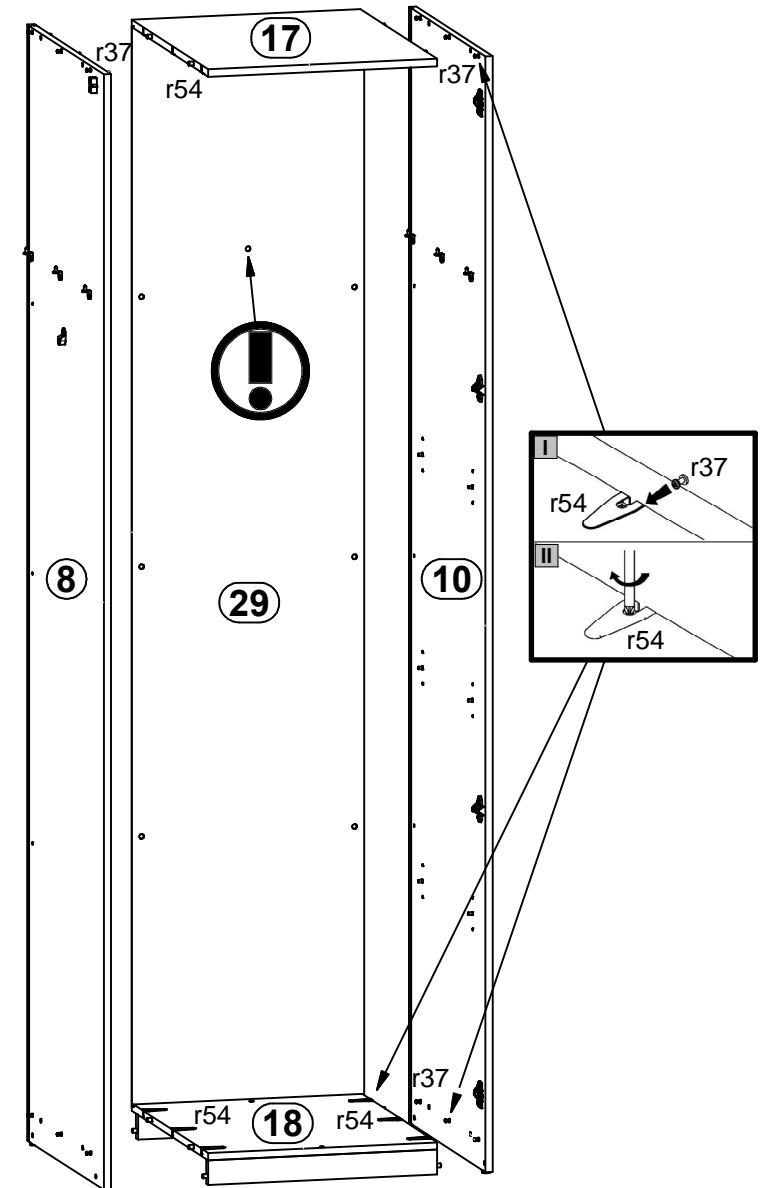
2



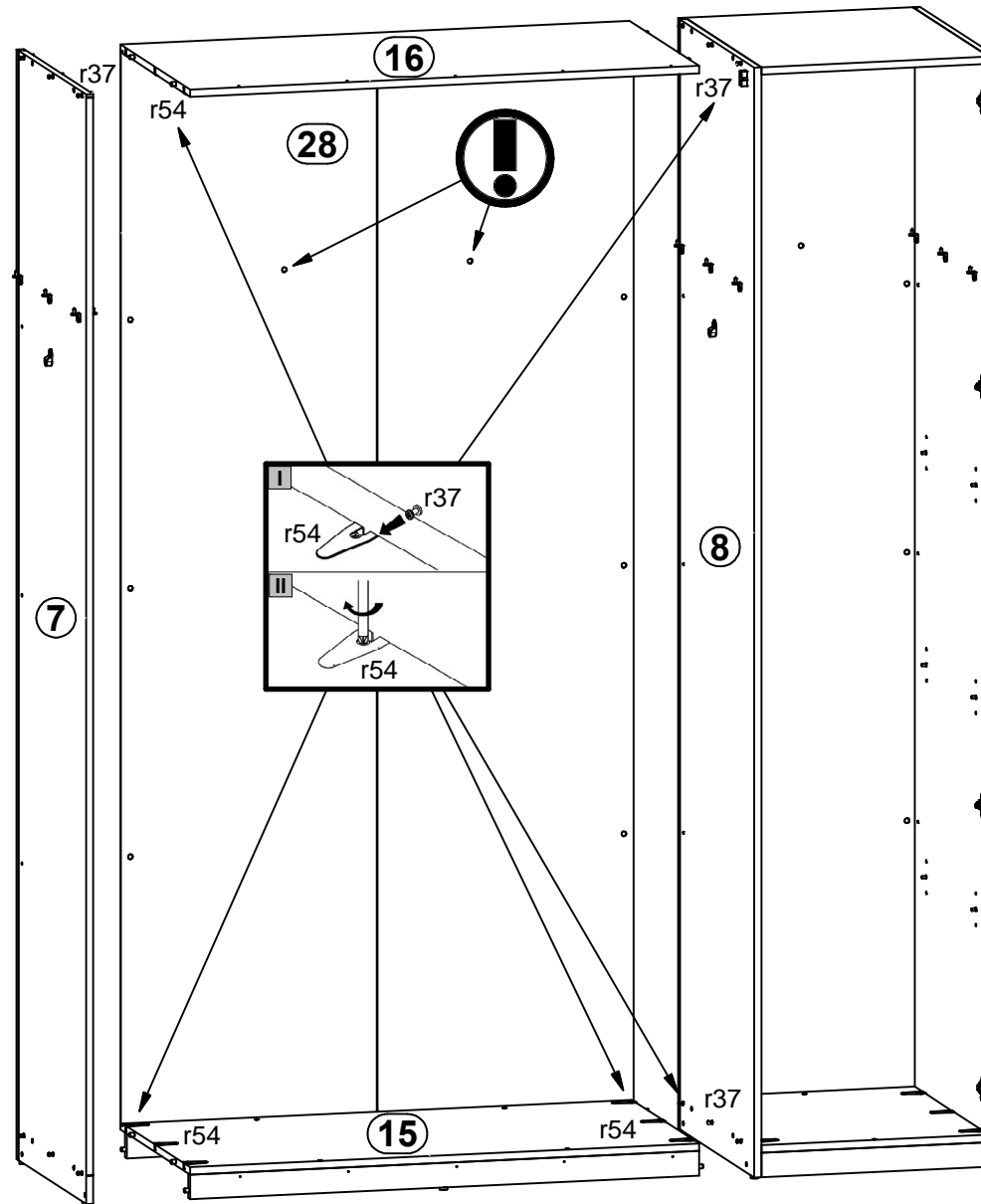
4 



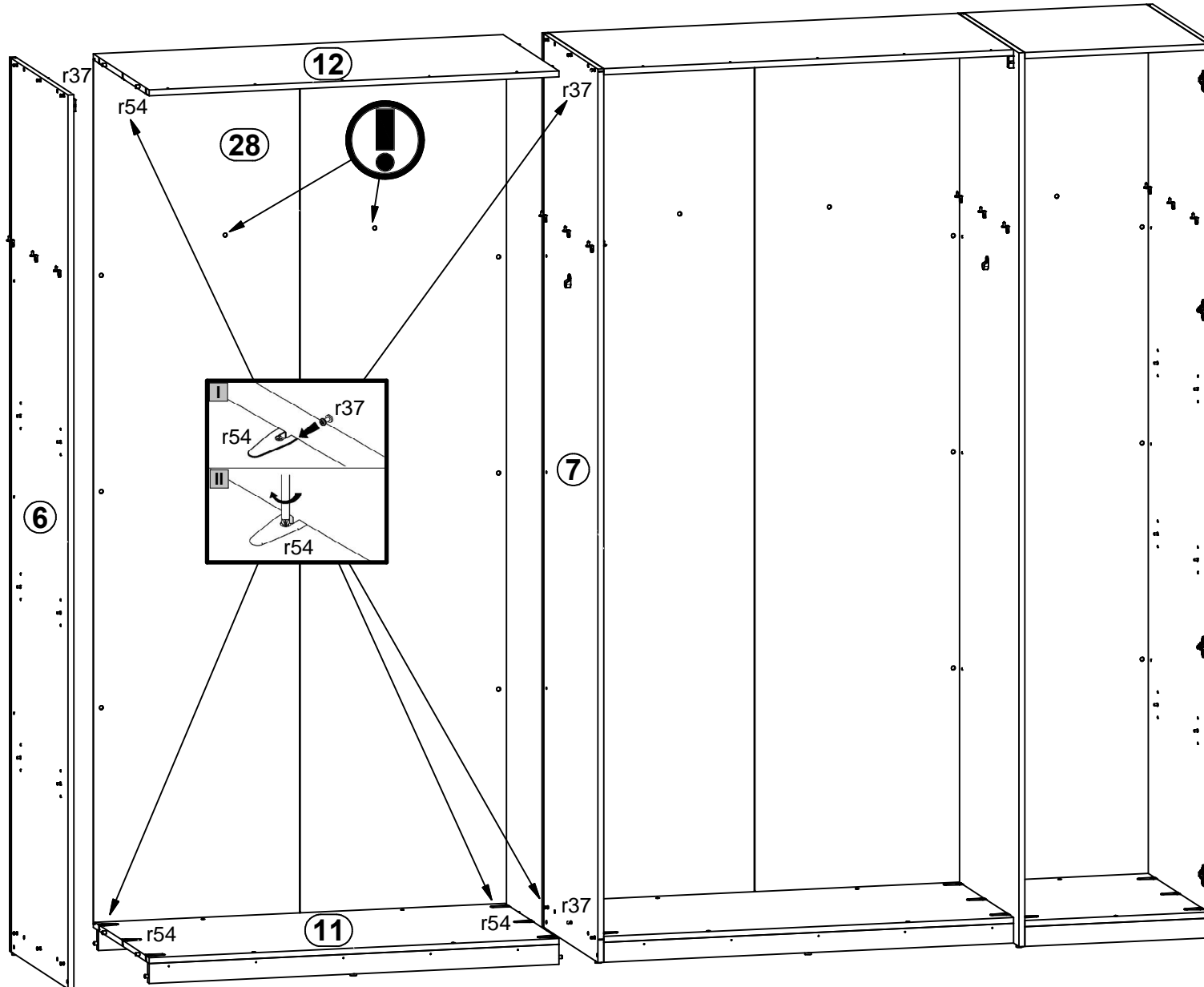
5



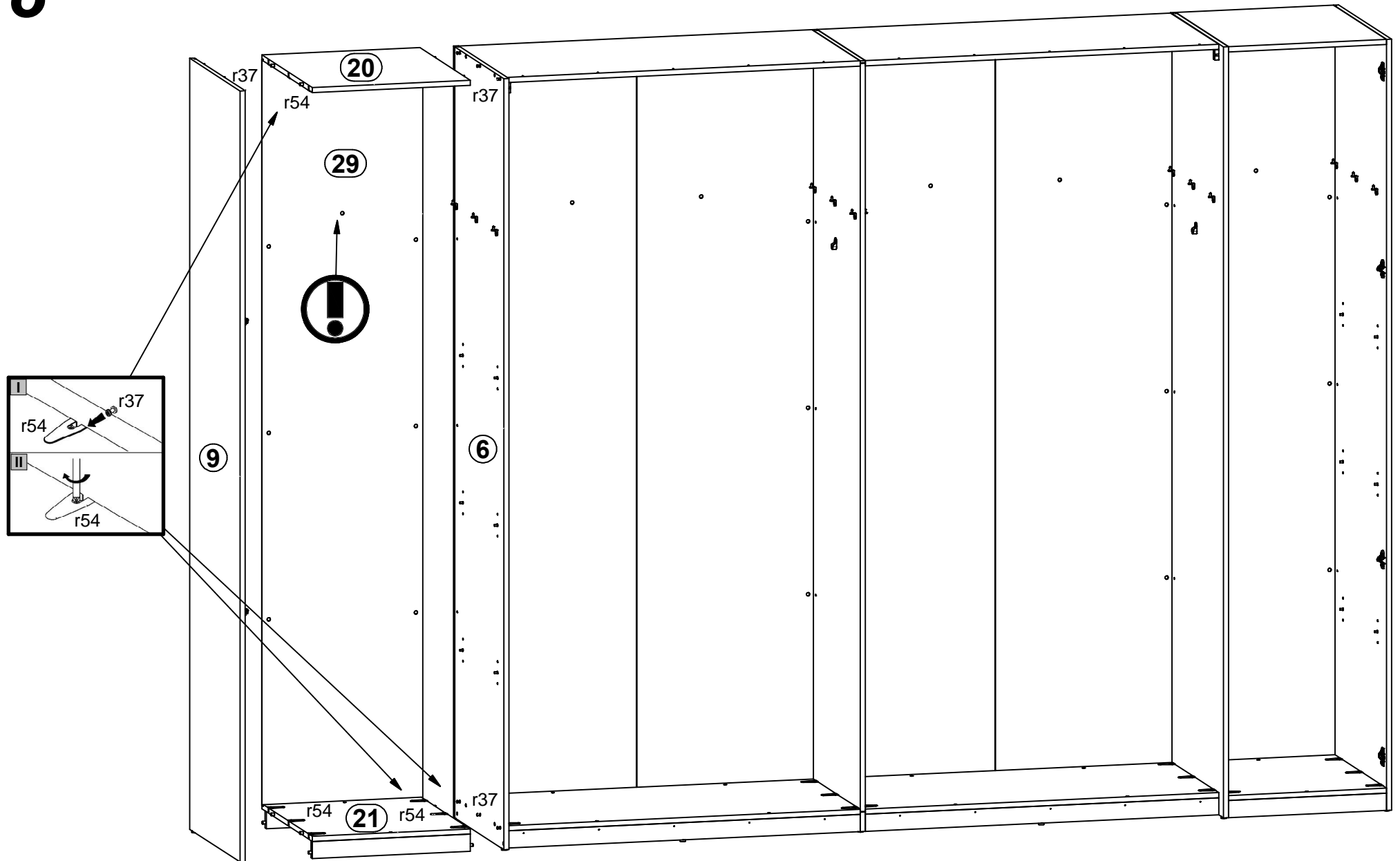
6



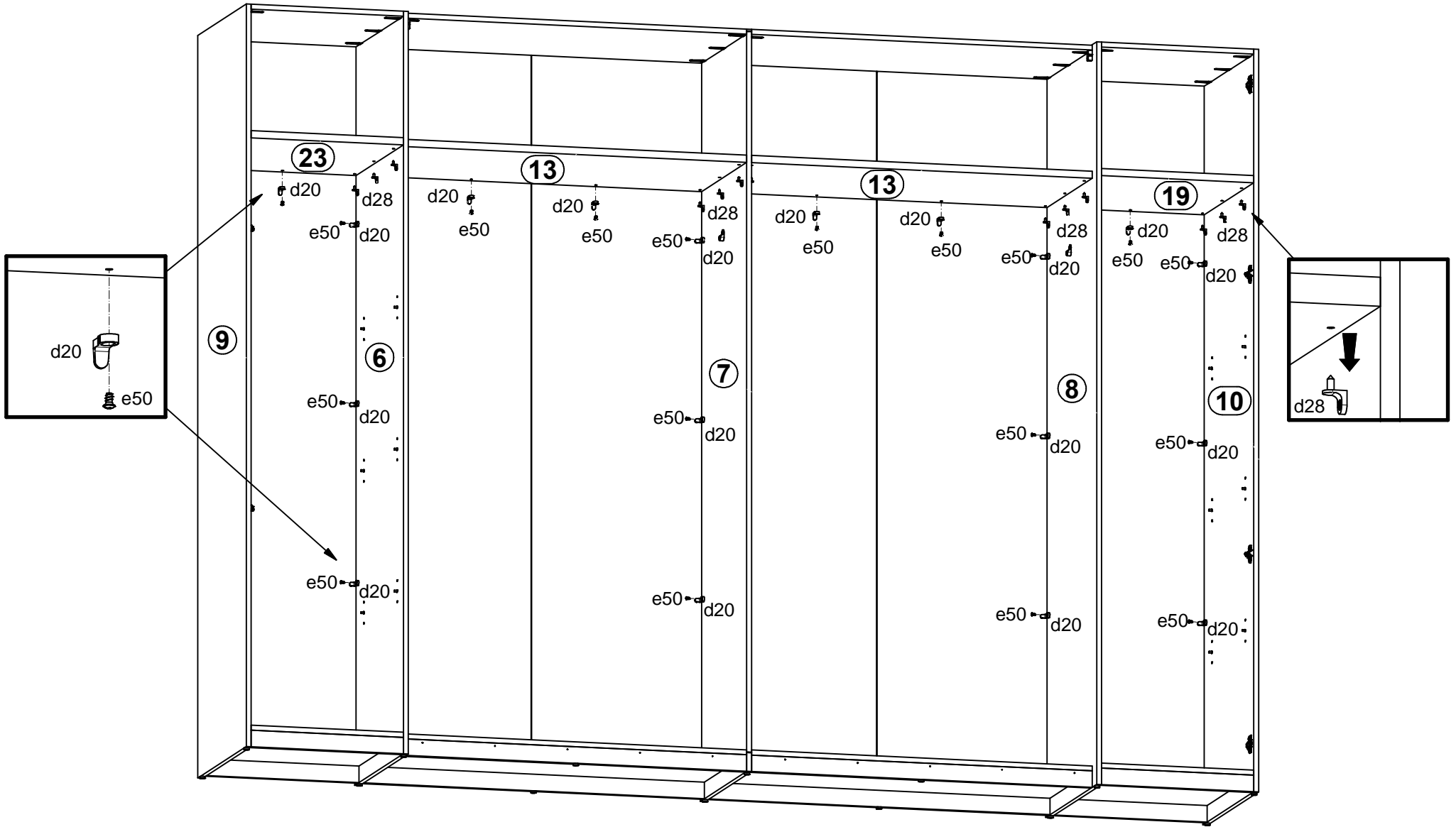
7



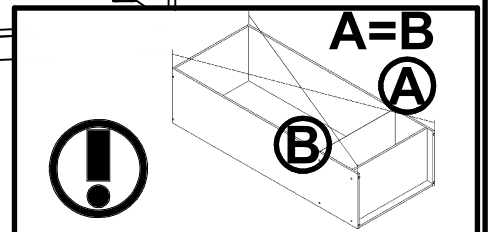
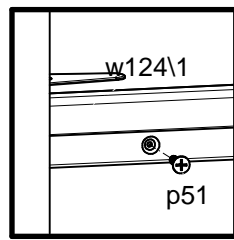
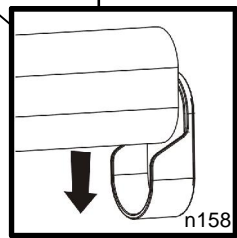
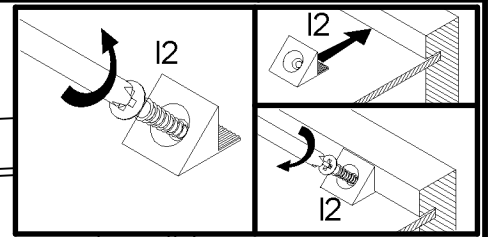
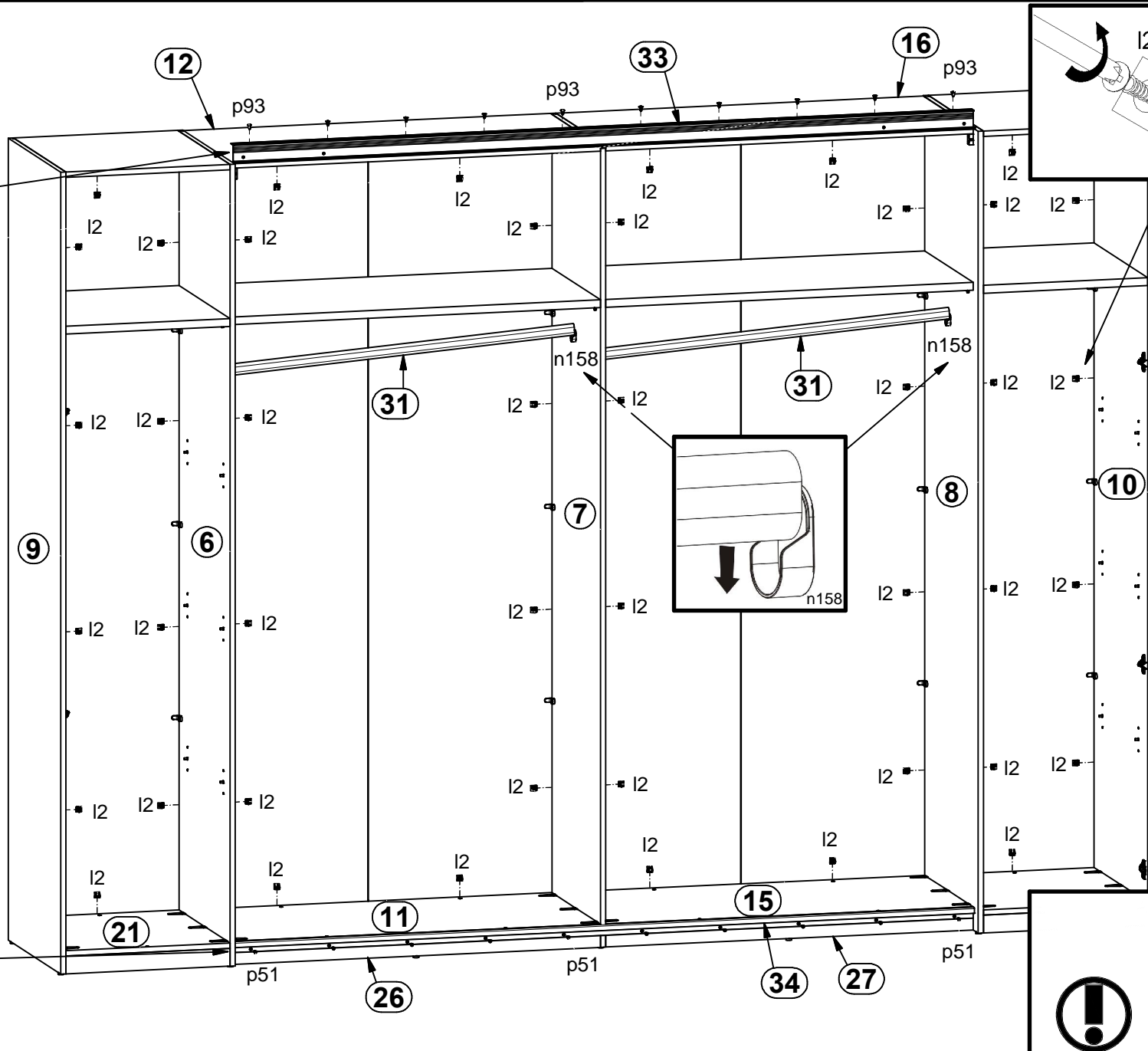
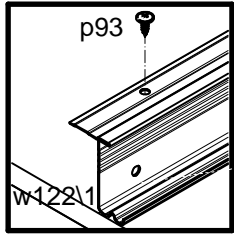
8



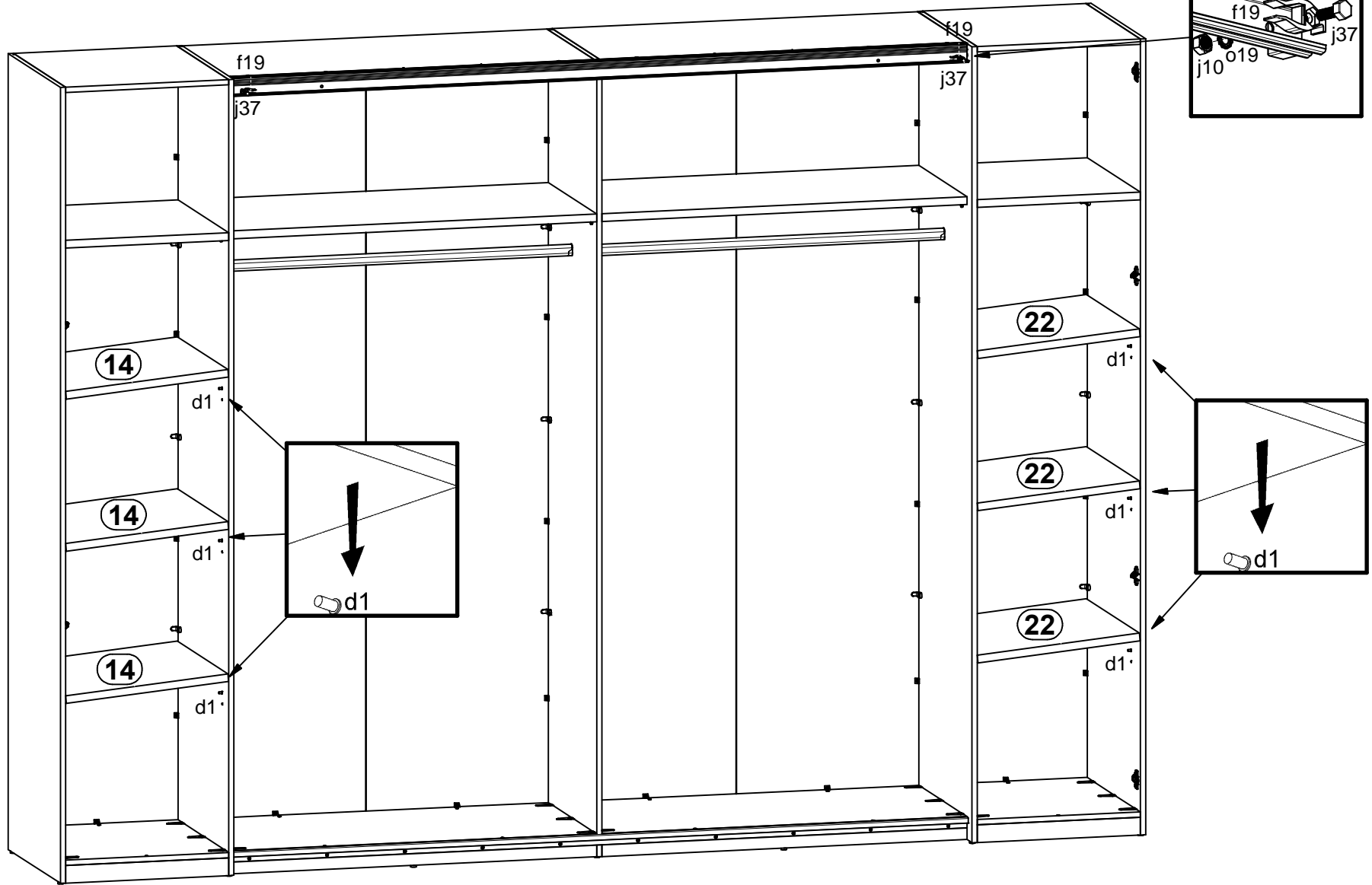
9



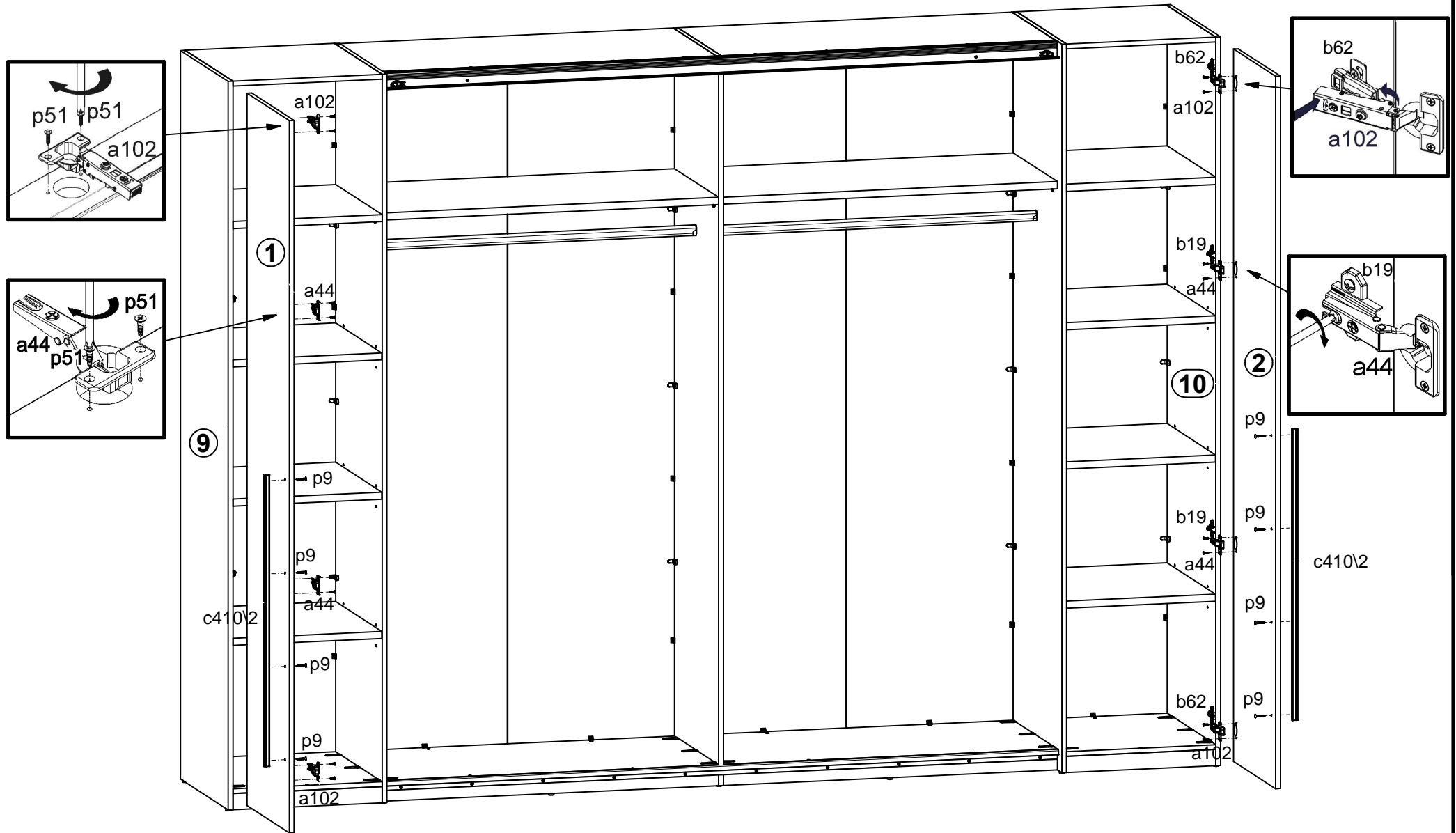
10



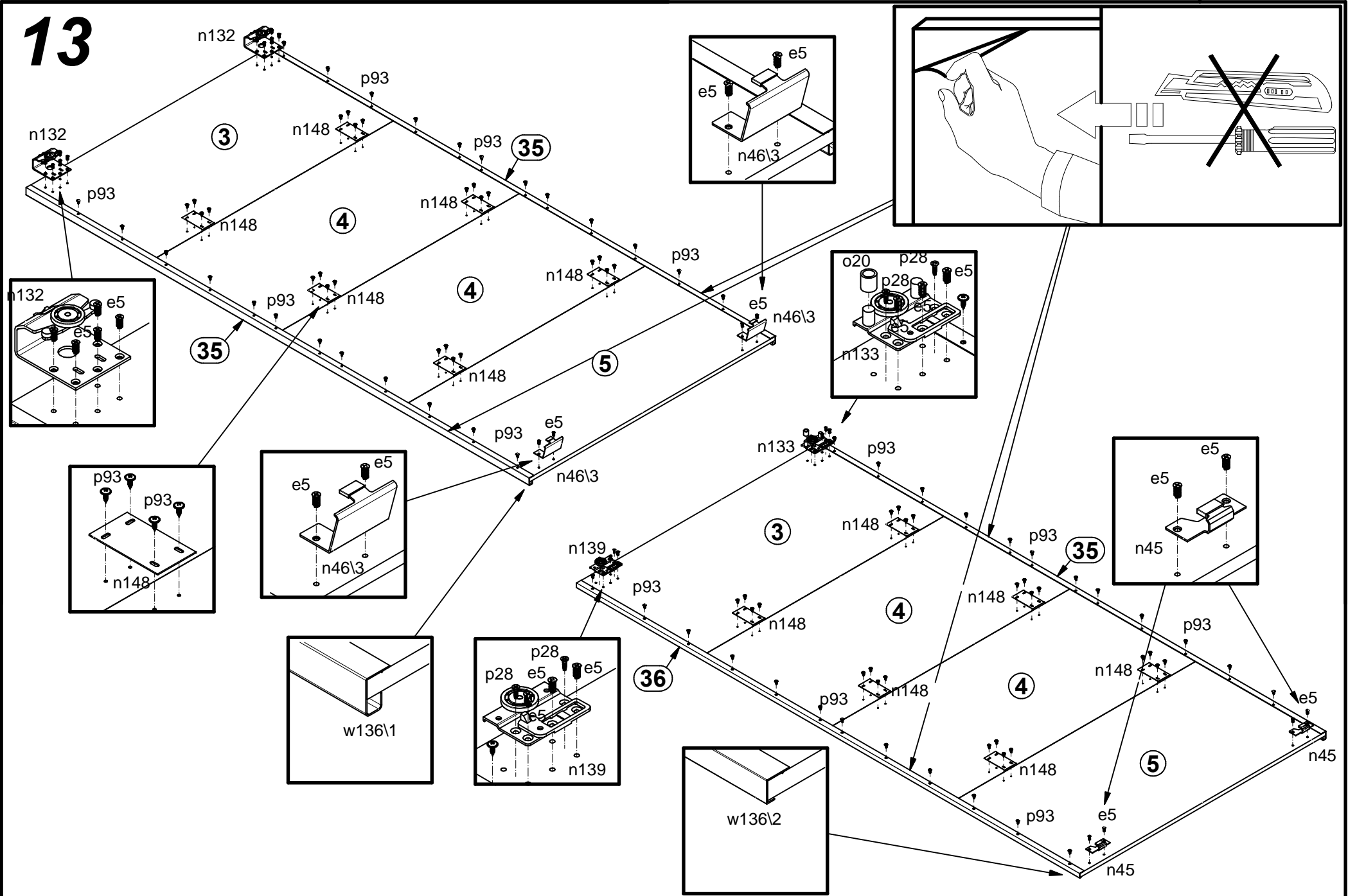
11



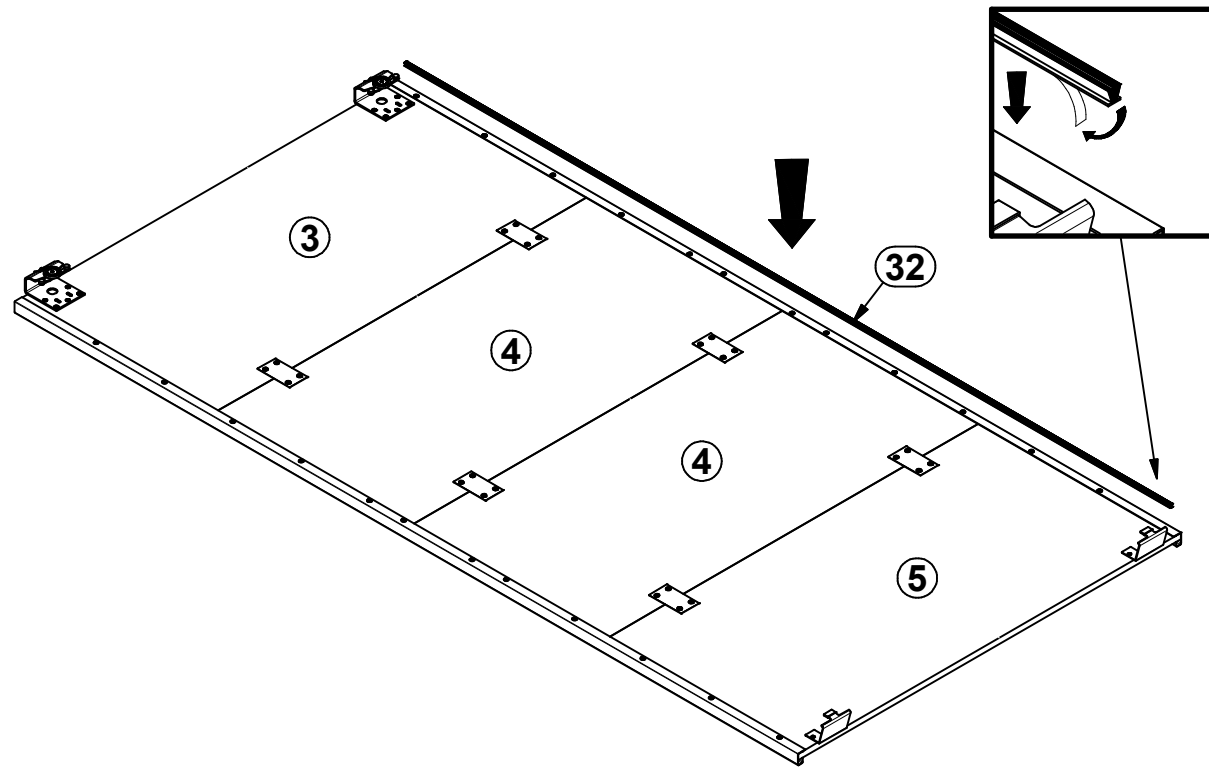
12



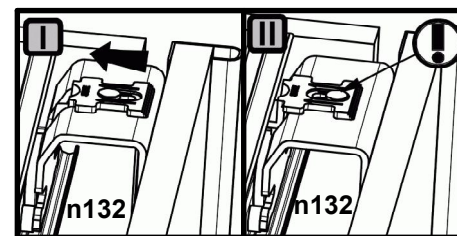
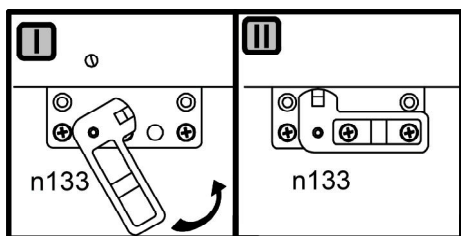
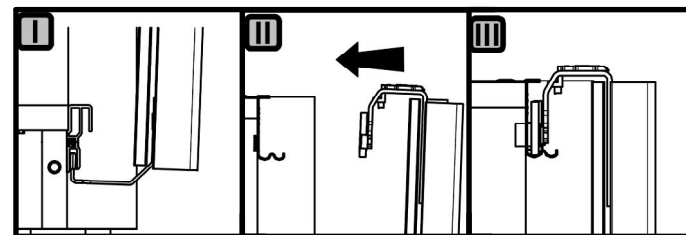
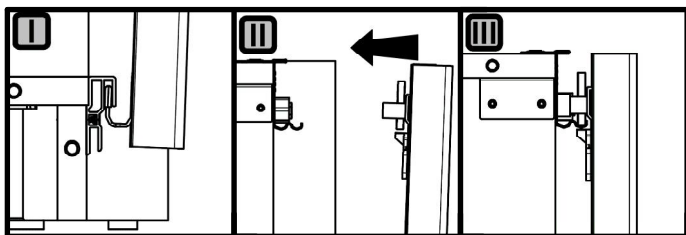
13



14

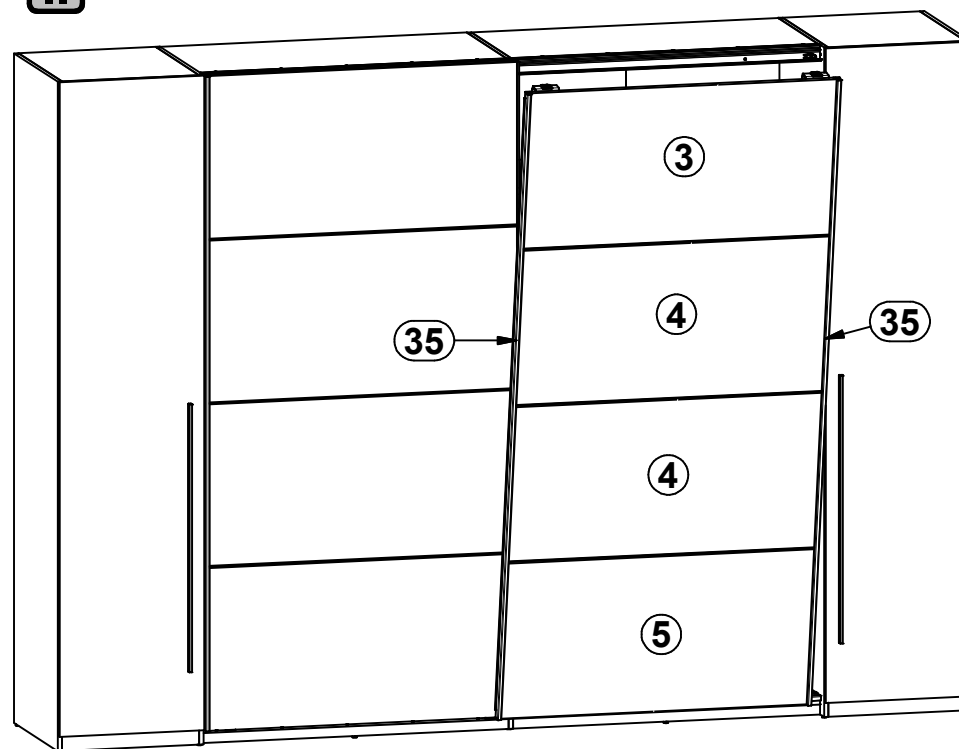
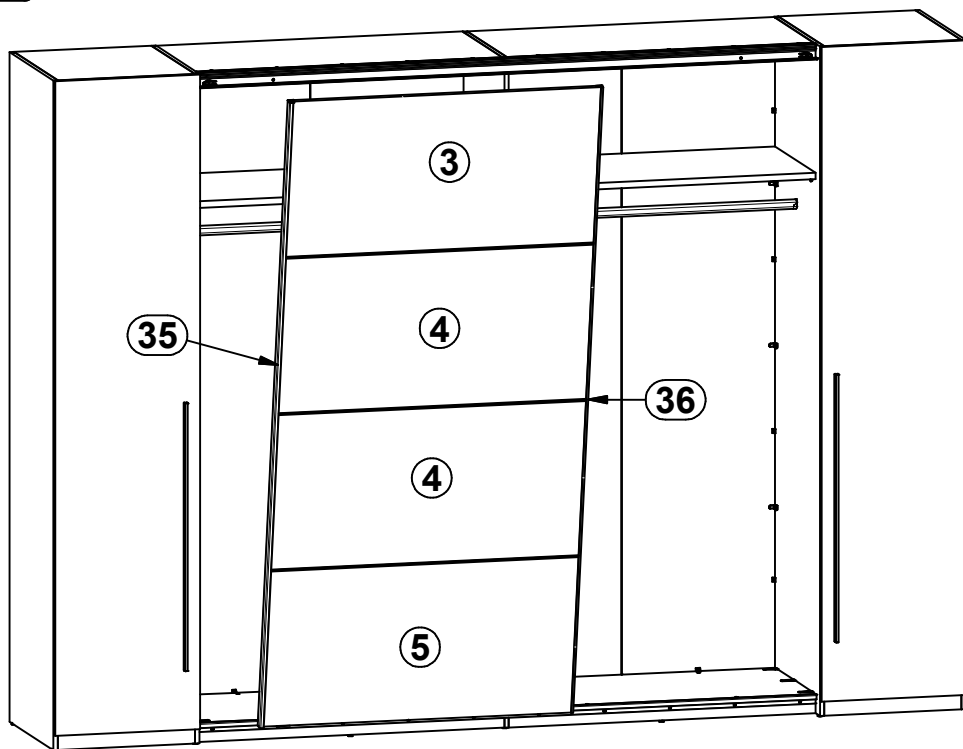


15



I

II



16

