

IMPORTANT - READ CAREFULLY - RETAIN FOR FUTURE REFERENCE

WARNING "High beds and the upper bed of bunk beds are not suitable for children under six years due to the risk of injury from falls"

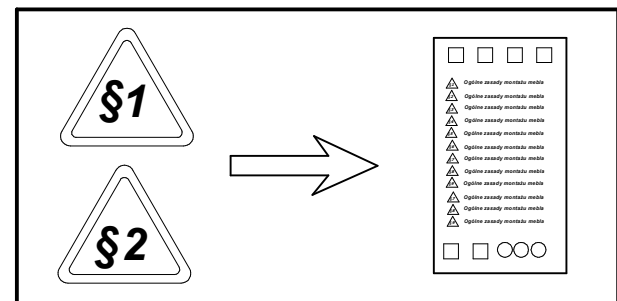
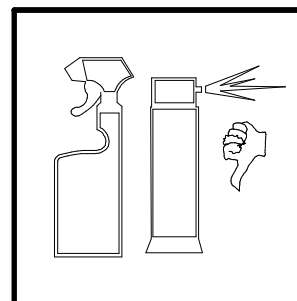
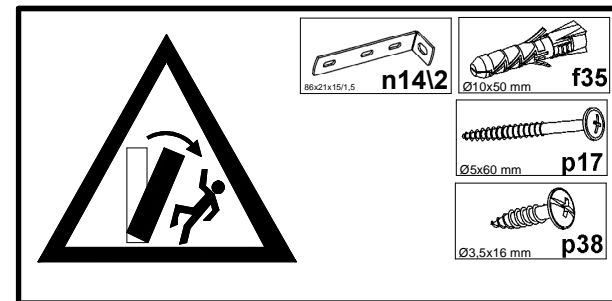
WARNING "Bunk beds and high beds can present a serious risk of injury from strangulation if not used correctly. Never attach or hang items to any part of the bunk bed that are not designed to be used with the bed, for example, but not limited to ropes, strings, cords, hooks, belts and bags"

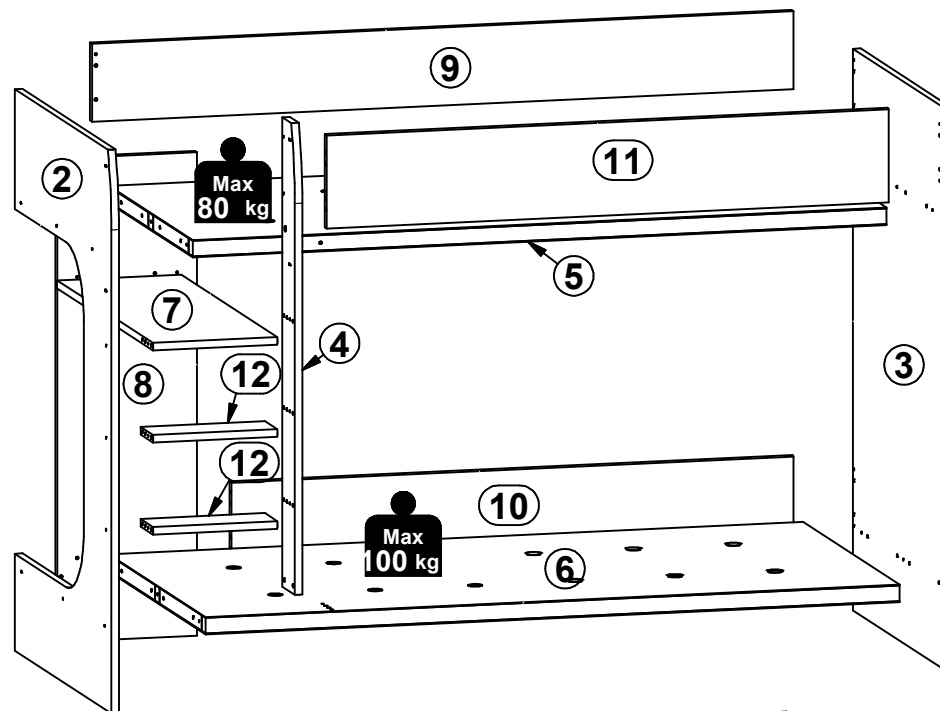
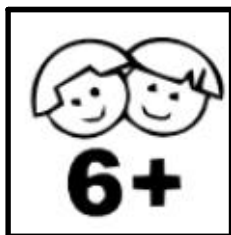
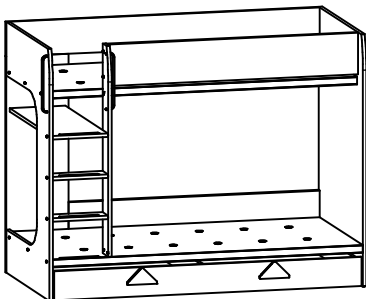
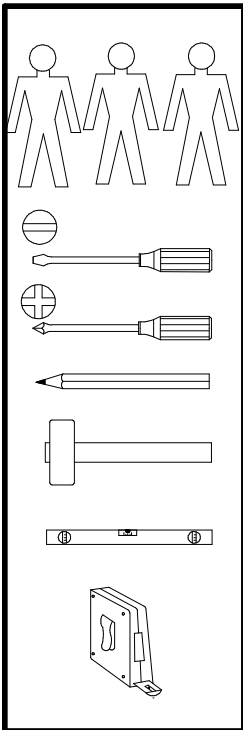
WARNING "Children can become trapped between the bed and the wall, a roof pitch, the ceiling, adjoining pieces of furniture (e.g. cupboards) and the like. To avoid risk of serious injury the distance between the top safety barrier and the adjoining structure shall not exceed 75 mm or shall be more than 230 mm"

WARNING Do not use the bunk bed/high bed if any structural part is broken or missing
Always follow the manufacturer's instructions.

Ventilation of the room is necessary in order to keep the humidity low and to prevent mould in and around the bed.

Check regularly that all assembly fastenings are properly tightened



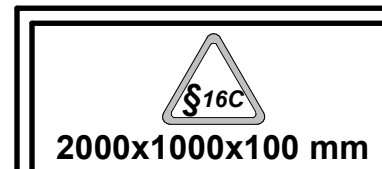
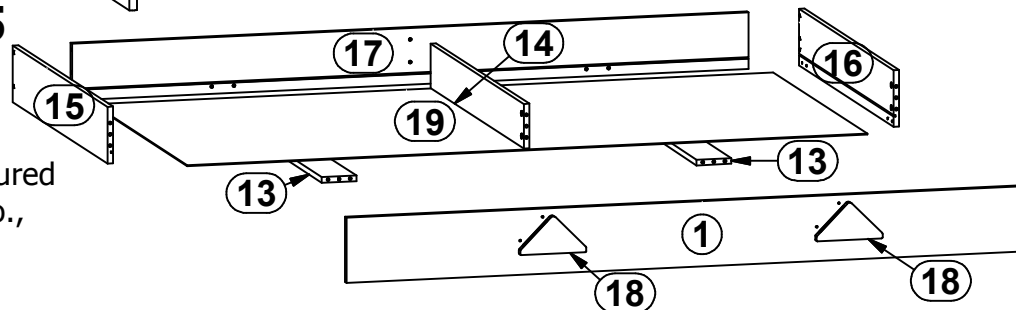
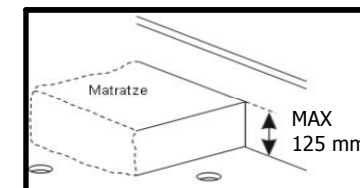


A	B	C (mm)		D
1	S208-017	1984	184	1/5
2	S208-128	1586	1043	3/5
3	S208-129	1586	1065	3/5
4	S208-127	1326	138	1/5
5	S208-325	2000	900	5/5
6	S208-326	2000	1040	4/5
7	S208-327	1034	358	2/5
8	S208-414	1366	402	2/5
9	S208-423	2022	220	1/5
10	S208-425	1620	220	1/5
11	S208-424	1620	265	1/5
12	S208-418	134	358	2/5
13	S208-421	1001	100	2/5
14	S208-422	1001	126,	2/5
15	S208-513	1018	160	2/5
16	S208-514	1018	160	2/5
17	S208-515	1950	160	1/5
18	S208-738	105	190	1/5
19	S208-912	1960	1014	4/5

EN 747-1:2012+A1:2015

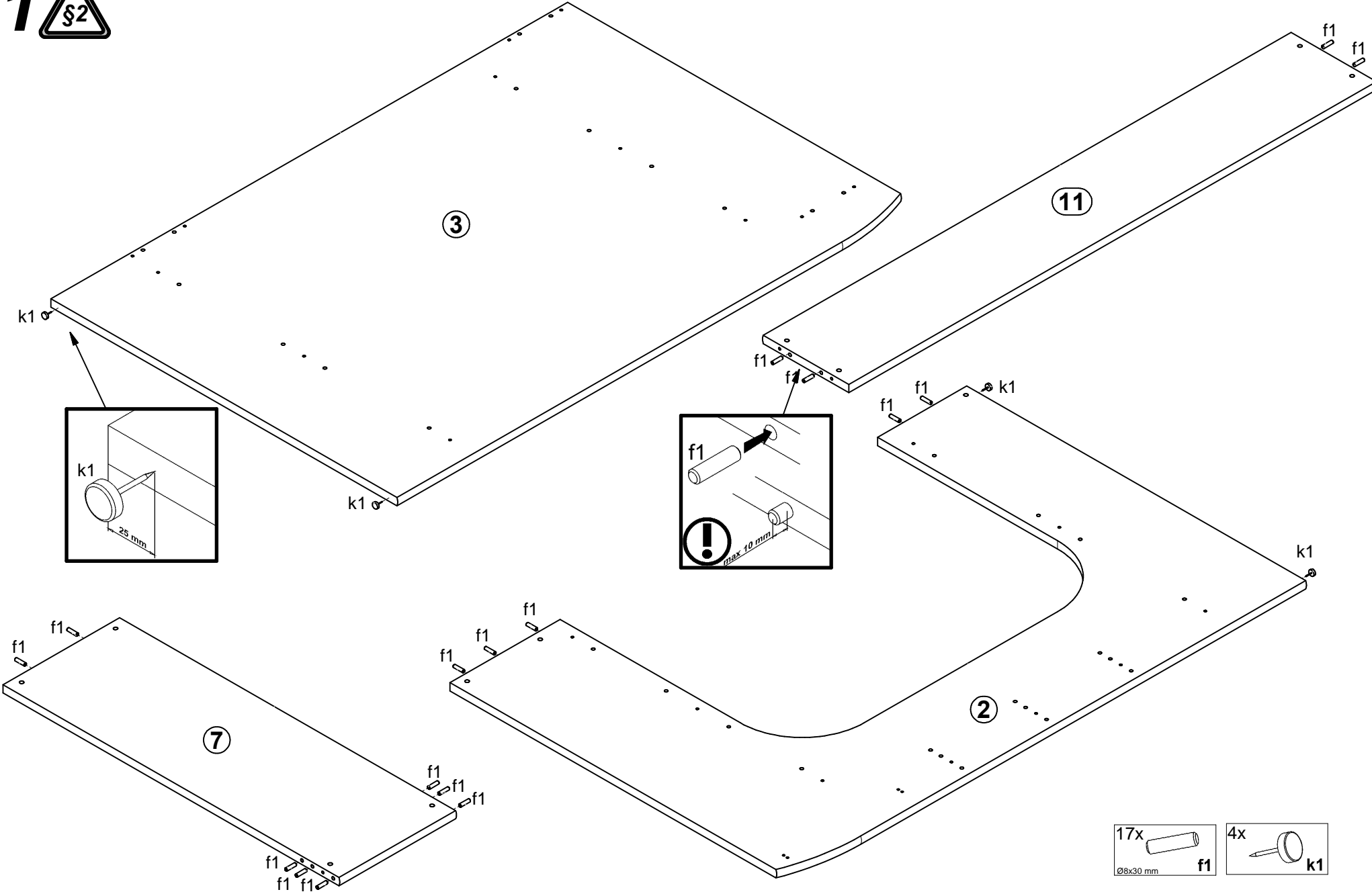


Hergestellt für/manufactured for POL-POWER Sp. z o.o.,
ul. Poznanska 113A,
PL 62-052 Komorniki



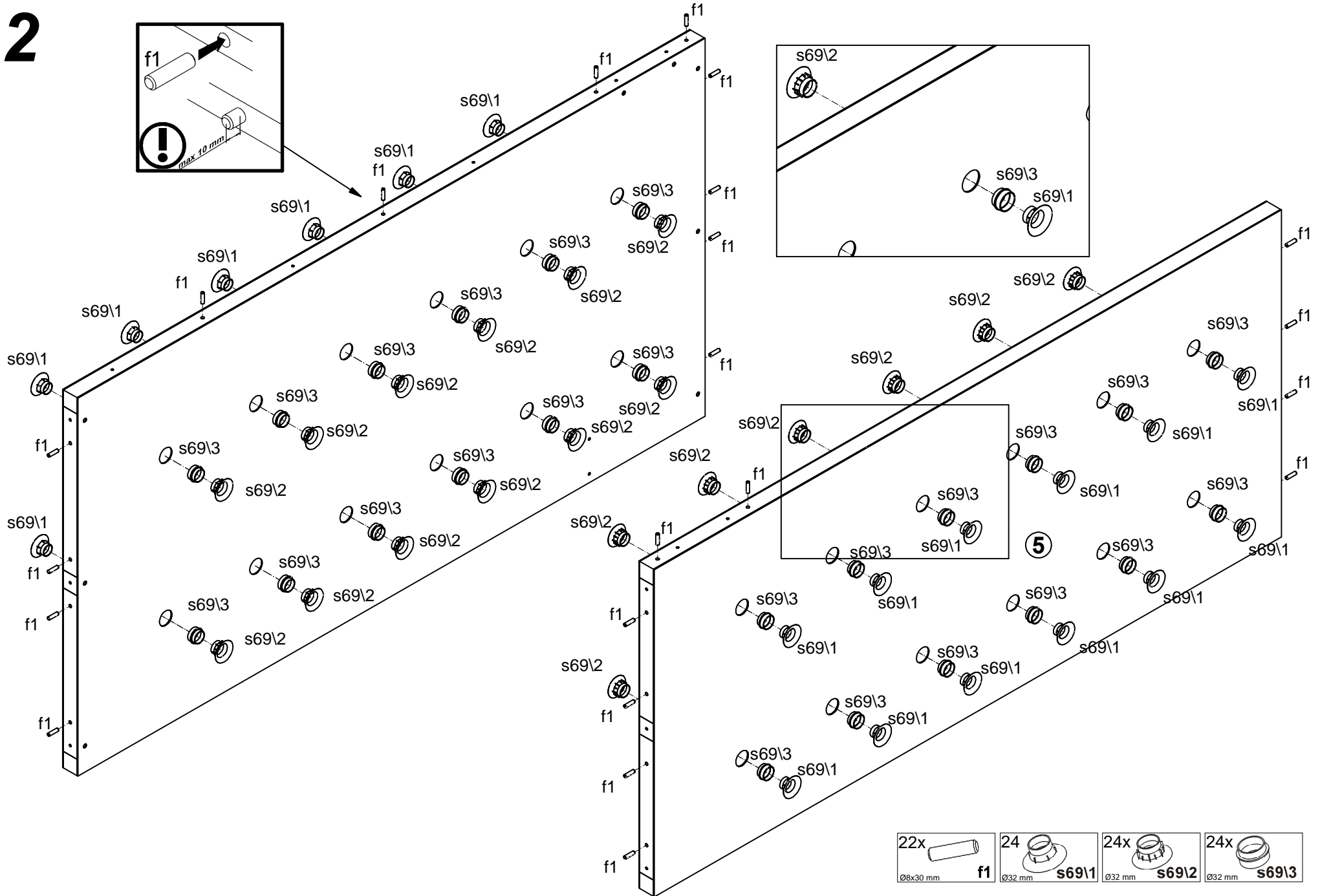
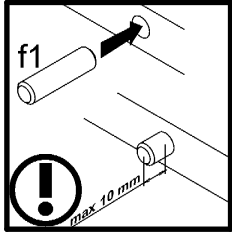
2x 352 mm c367	13x Ø7x50 mm e1	8x Ø6,3x13 mm e2	64x Ø8x30 mm f1	5x Ø8x50 mm f6	8x M4x32 mm j73	2x M6x84 mm j117	35x M6x90 mm j144	4x k1	4x k44	18x l2	8x Ø3,5x16 mm p38	6x Ø4x28 mm p94
10x Ø15x12 mm #16 r1	5x r10	10x Ø15x15 mm #22 r3	10x r42	37x Ø10x16 mm r43	4x s1	9x Ø16 s2	24x Ø32 mm s69\1	24x Ø32 mm s69\2	24x Ø32 mm s69\3	4x u41\1	2x z1	

1 



17x Ø8x30 mm		f1	4x		k1
-----------------	---	-----------	----	---	-----------

2



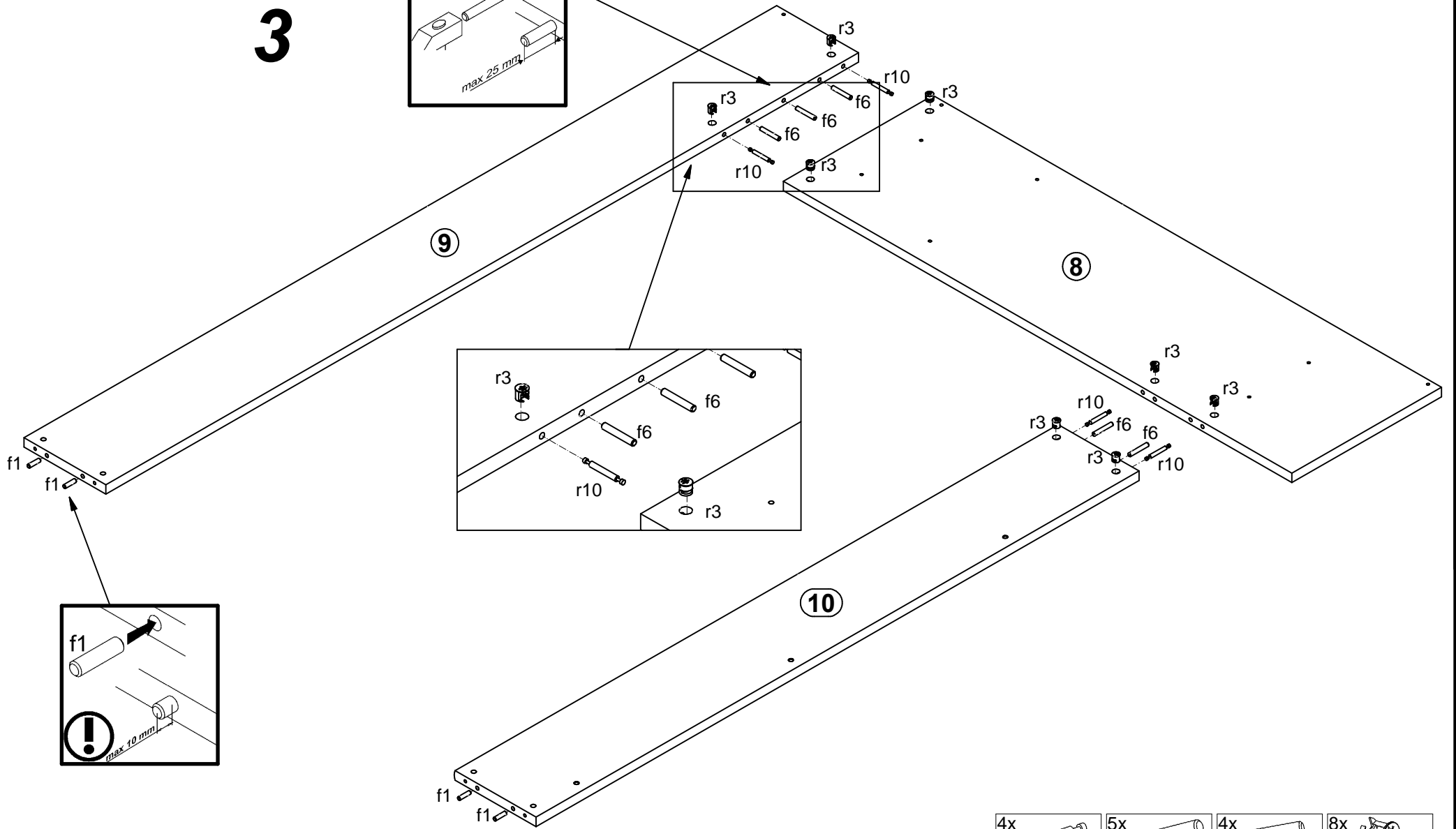
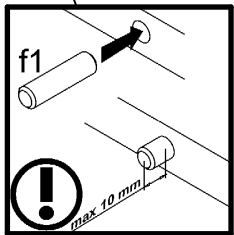
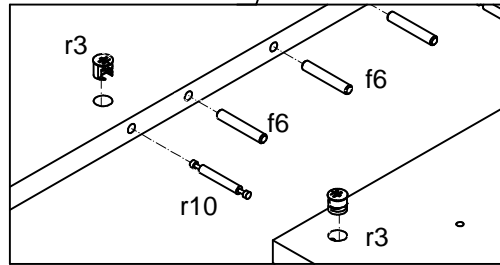
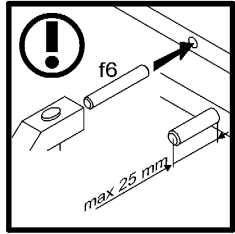
22x Ø8x30 mm		24 Ø32 mm		24x Ø32 mm		24x Ø32 mm	
	f1		s69\1		s69\2		s69\3

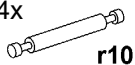
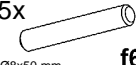
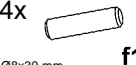

3

9

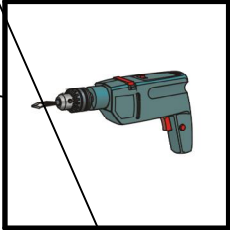
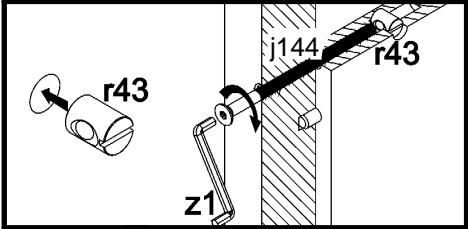
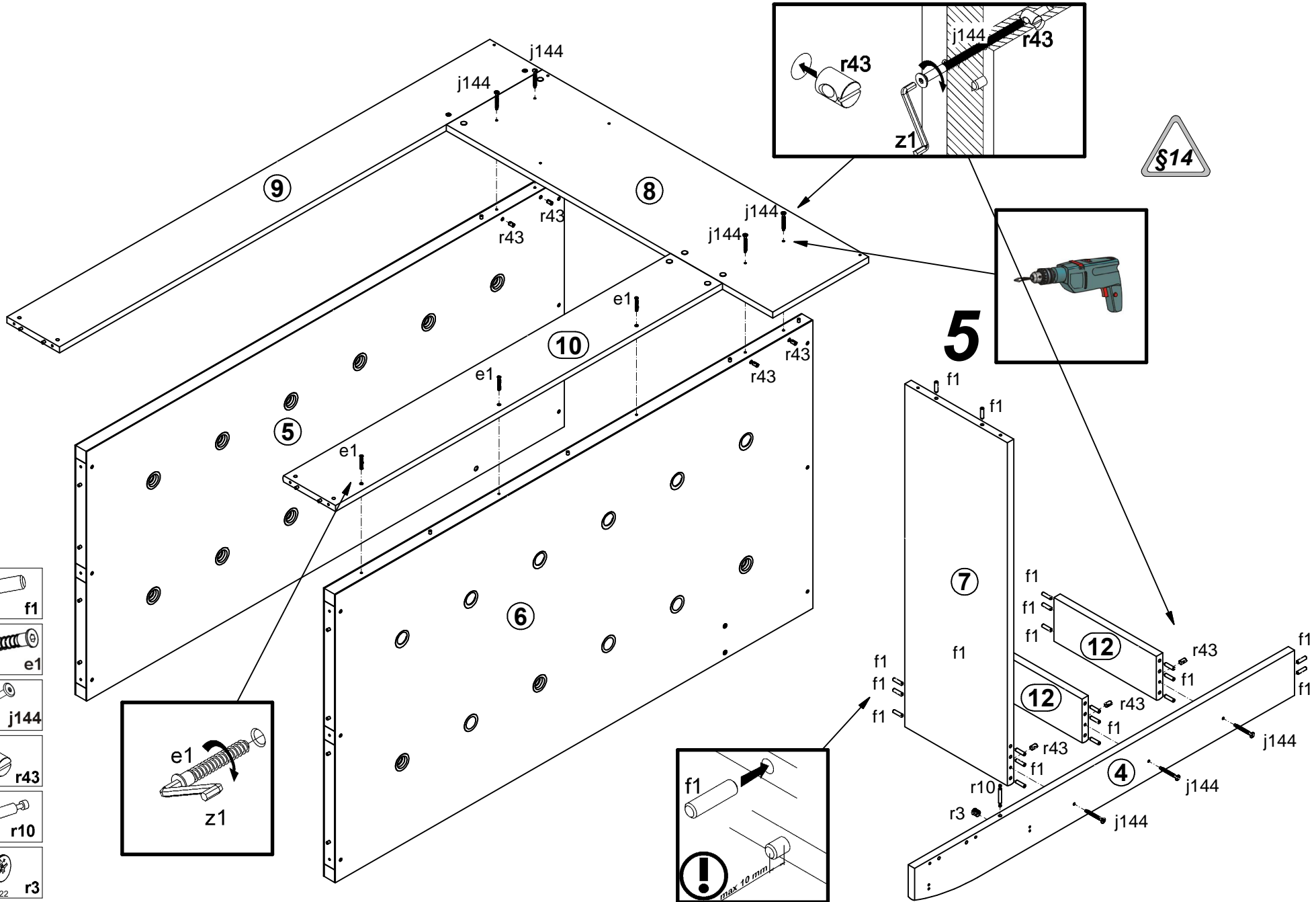
8

10



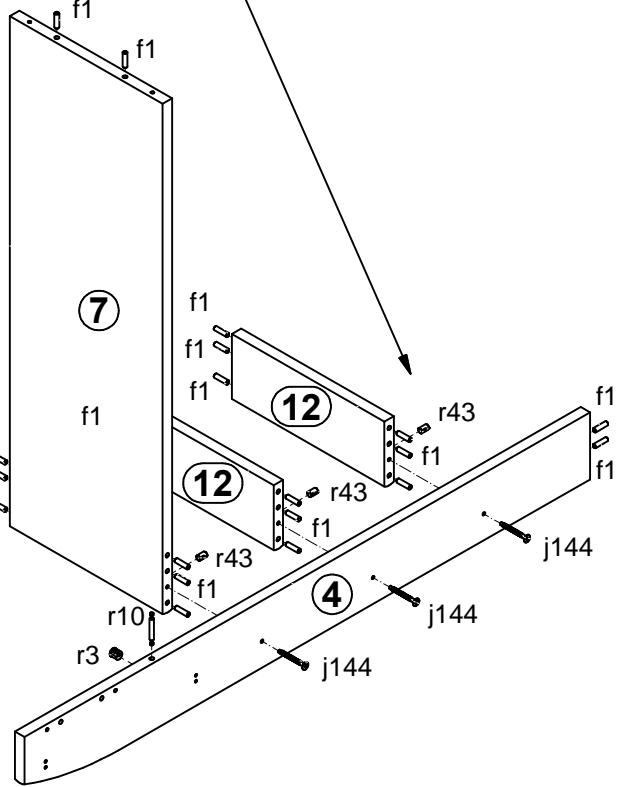
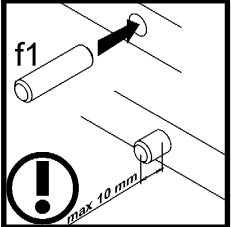
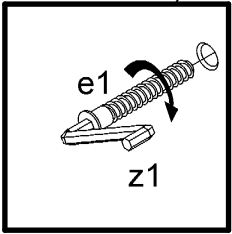
4x  r10	5x  Ø8x50 mm f6	4x  Ø8x30 mm f1	8x  Ø15x15 mm #22 r3
--	---	---	--

4

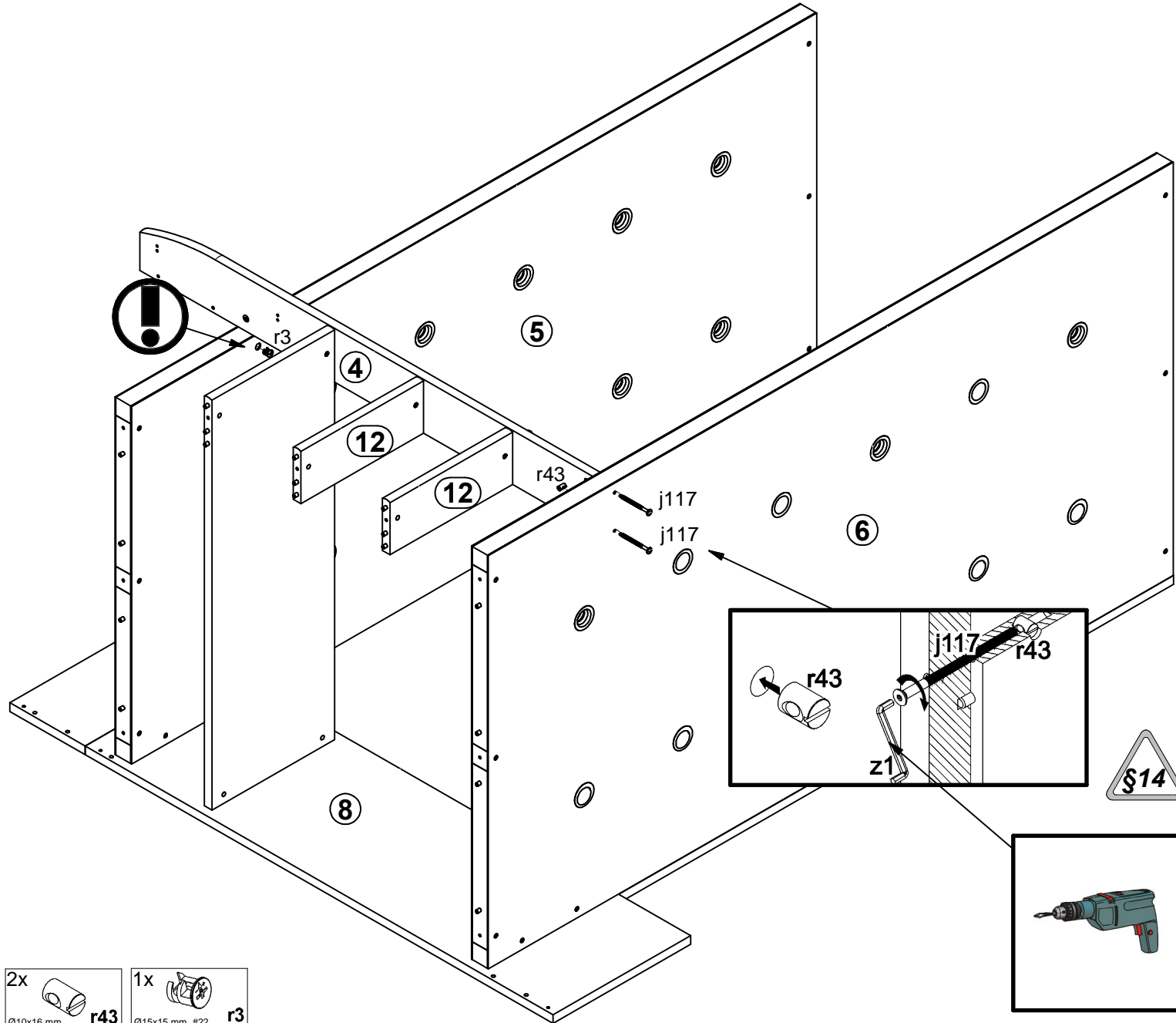


5

- 14x f1
Ø8x30 mm
- 3x e1
Ø7x50 mm
- 7x j144
M6x60 mm
- 7x r43
Ø10x16 mm
- 1x r10
- 1x r3
Ø15x15 mm #22

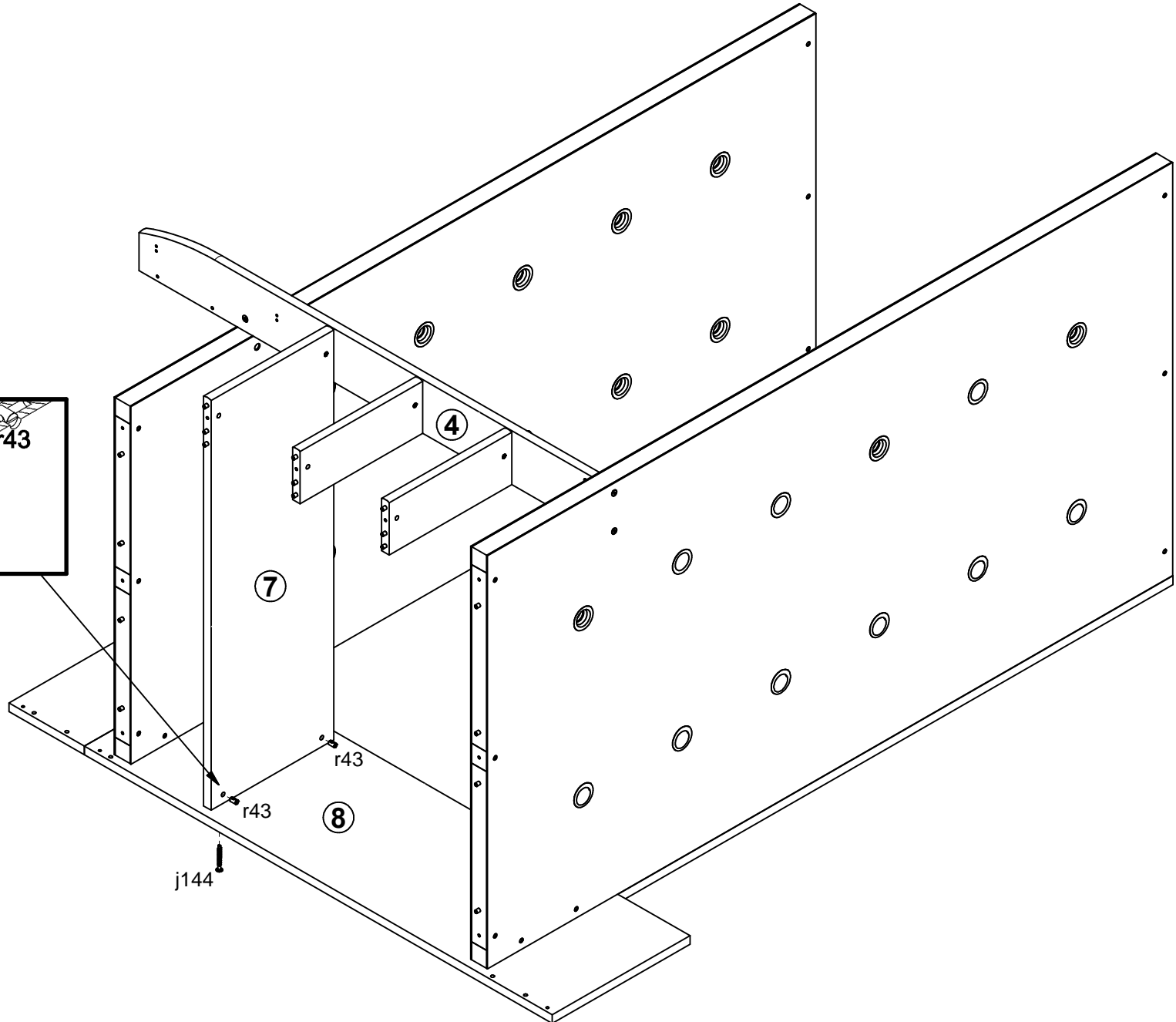
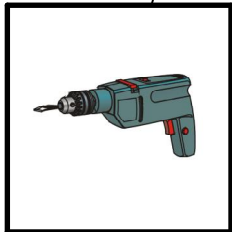
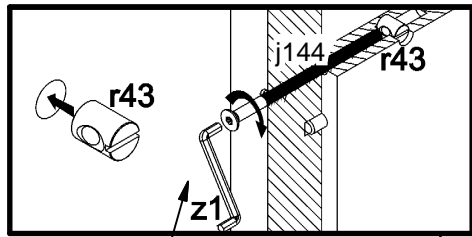




6



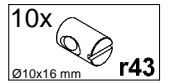
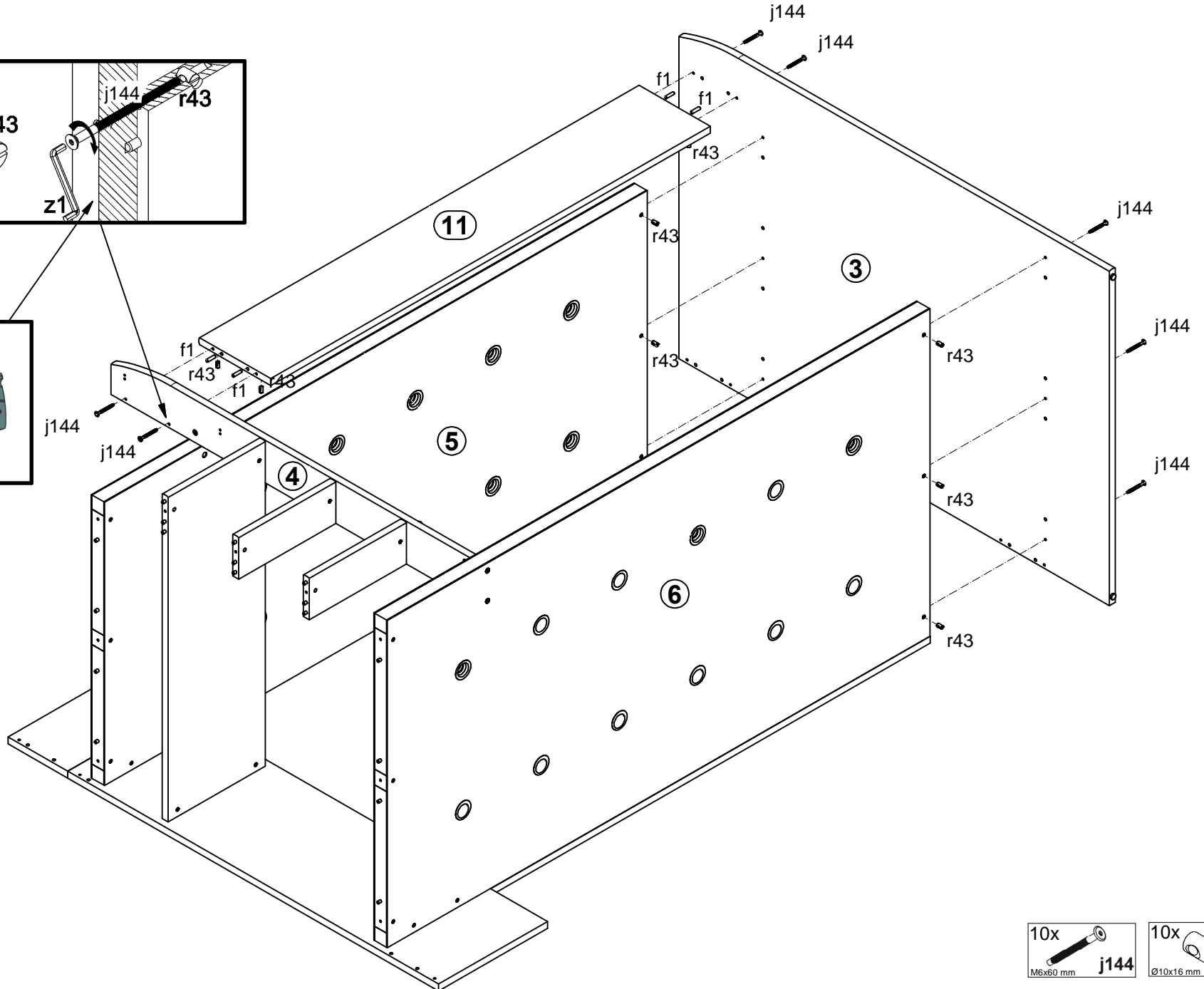
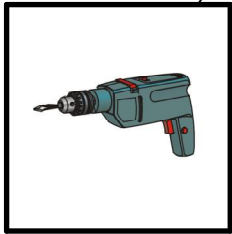
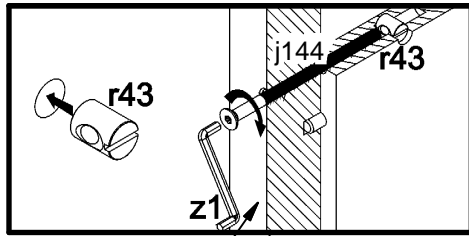
- 2x M6x84 mm j117
- 2x Ø10x16 mm r43
- 1x Ø15x15 mm #22 r3

7

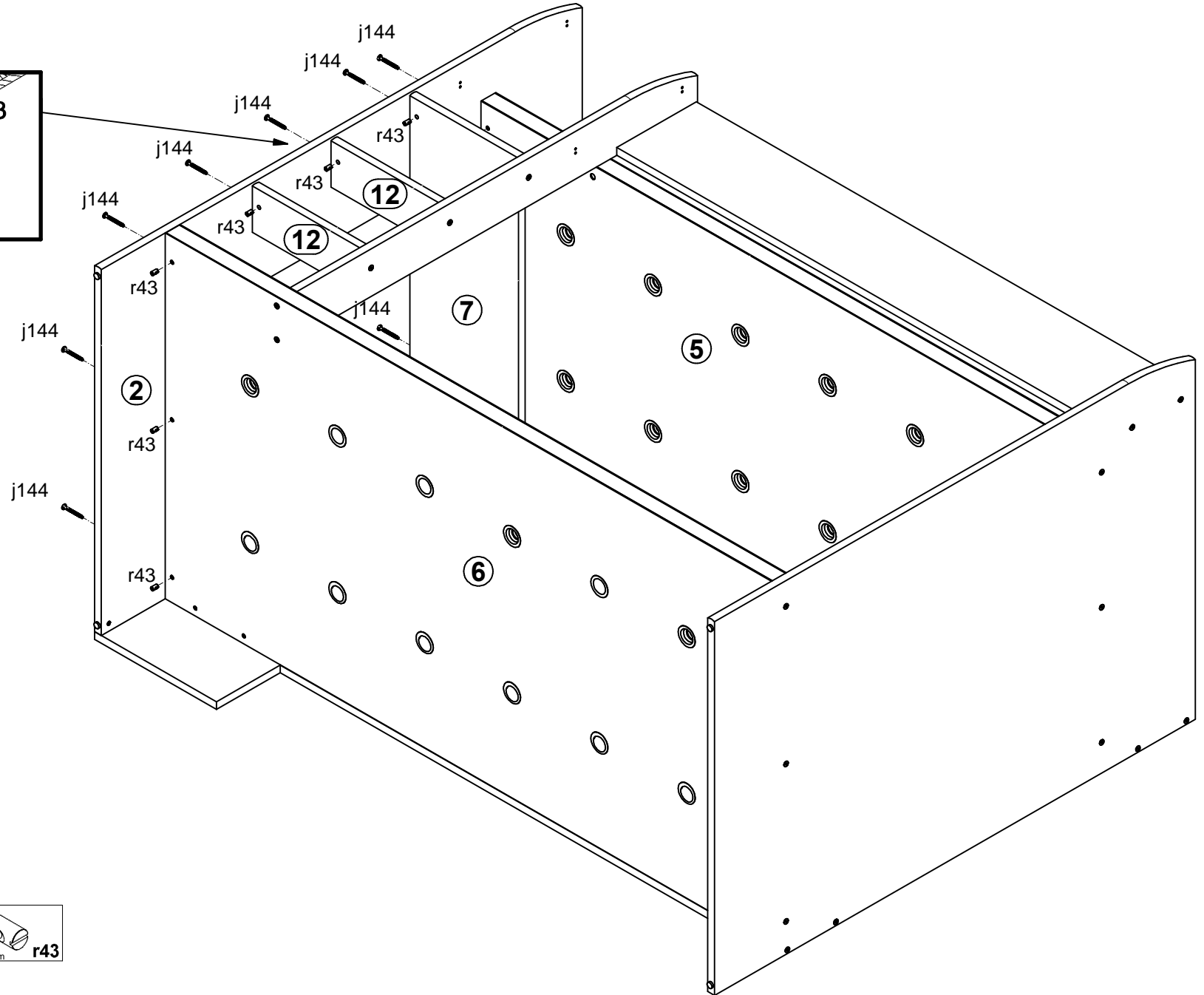
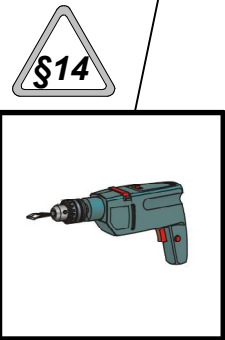
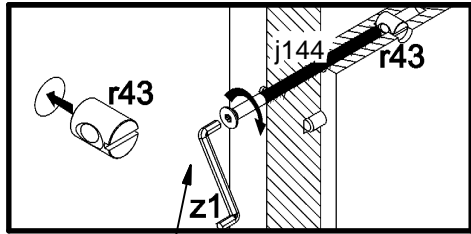




- 2x  j144
M6x60 mm
- 2x  r43
Ø10x16 mm

8

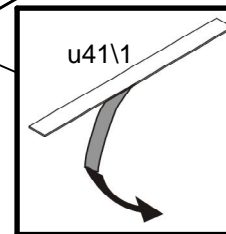
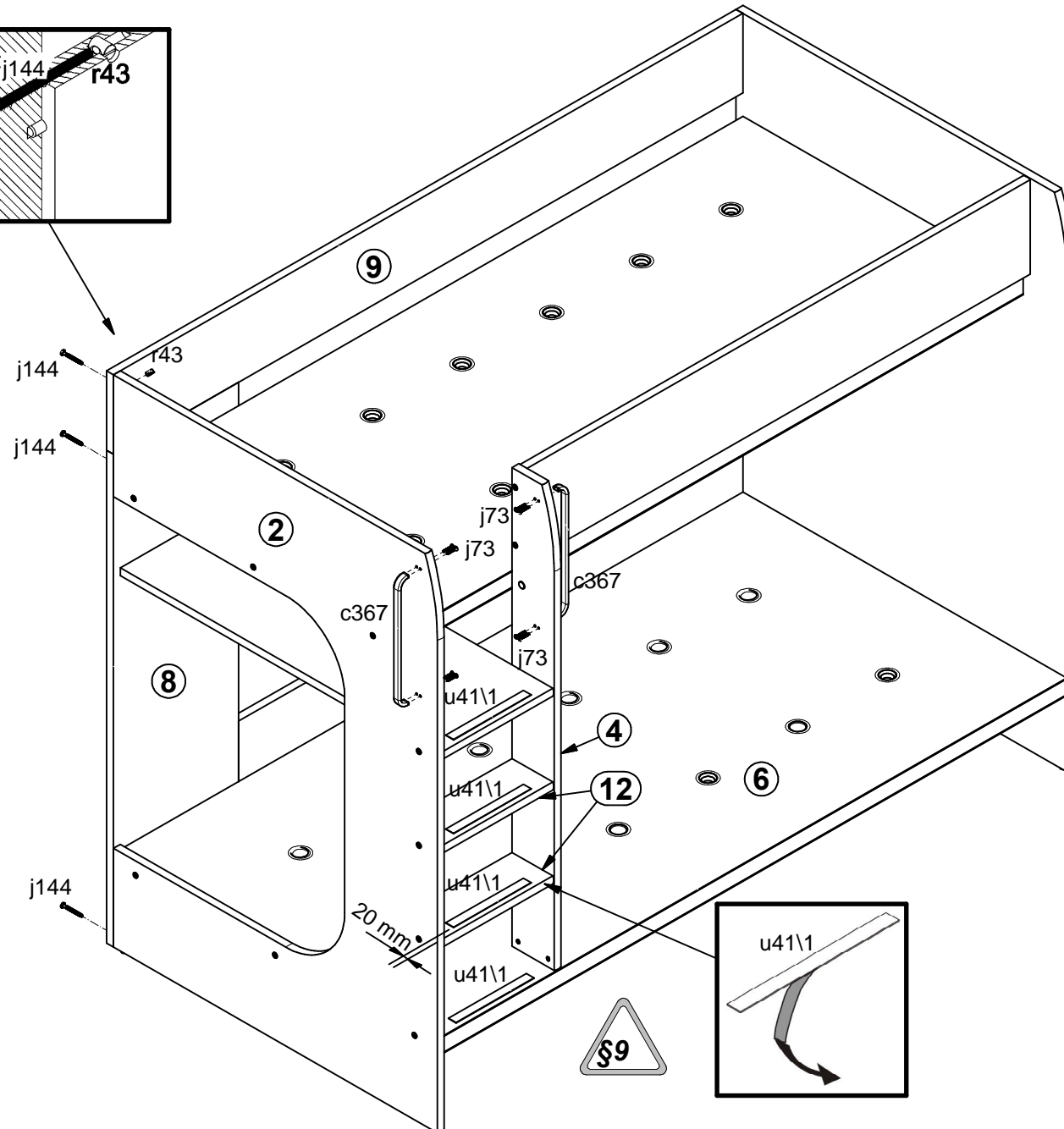
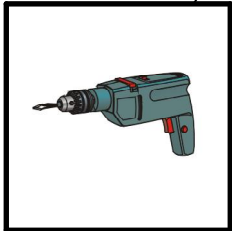
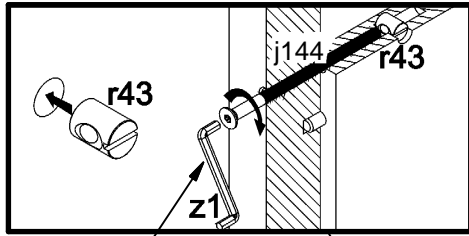







9



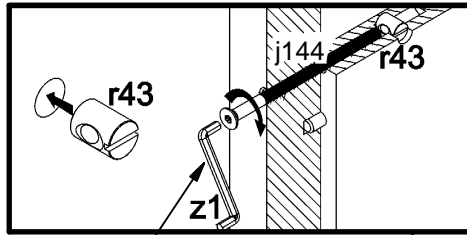
- 9x  j144 M6x60 mm
- 9x  r43 Ø10x16 mm

10

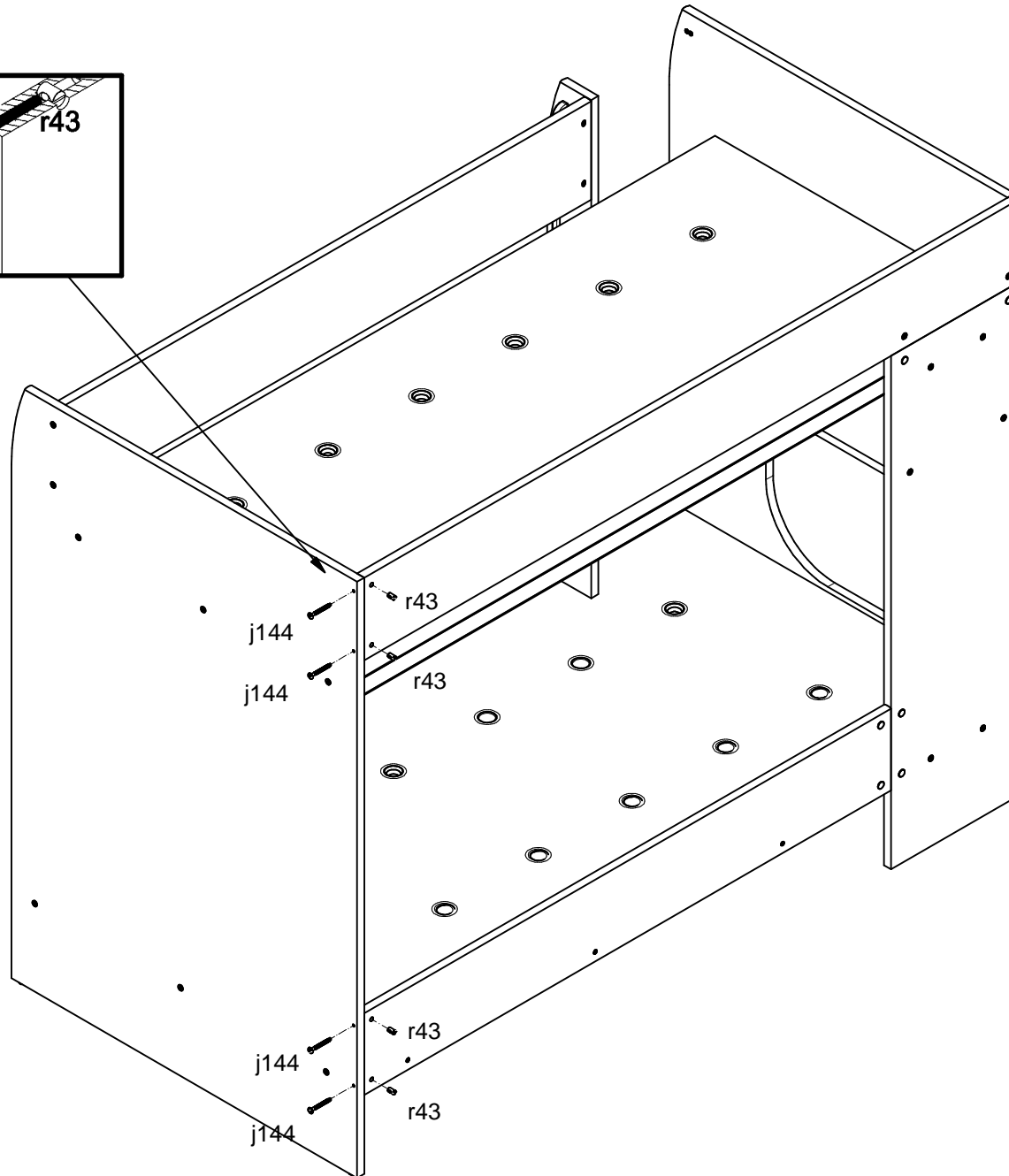
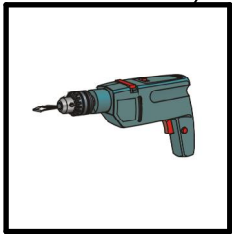




- 8x  **j73**
M4x32 mm
- 2x  **c367**
352 mm
- 3x  **j144**
M6x60 mm
- 3x  **r43**
Ø10x16 mm
- 4x  **u41\1**

11

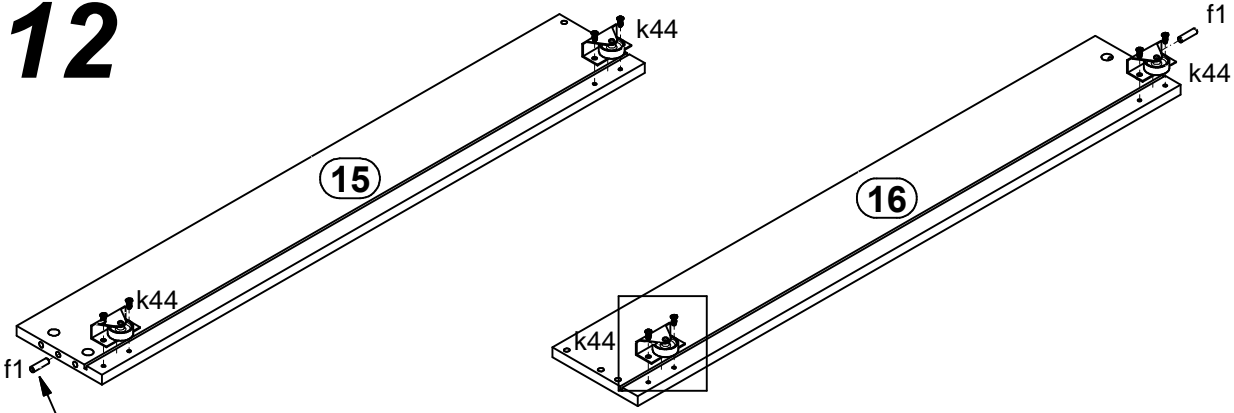


§14



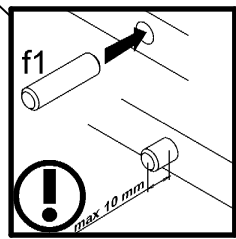
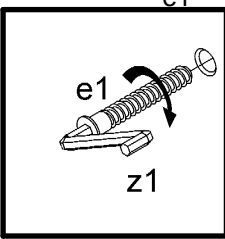
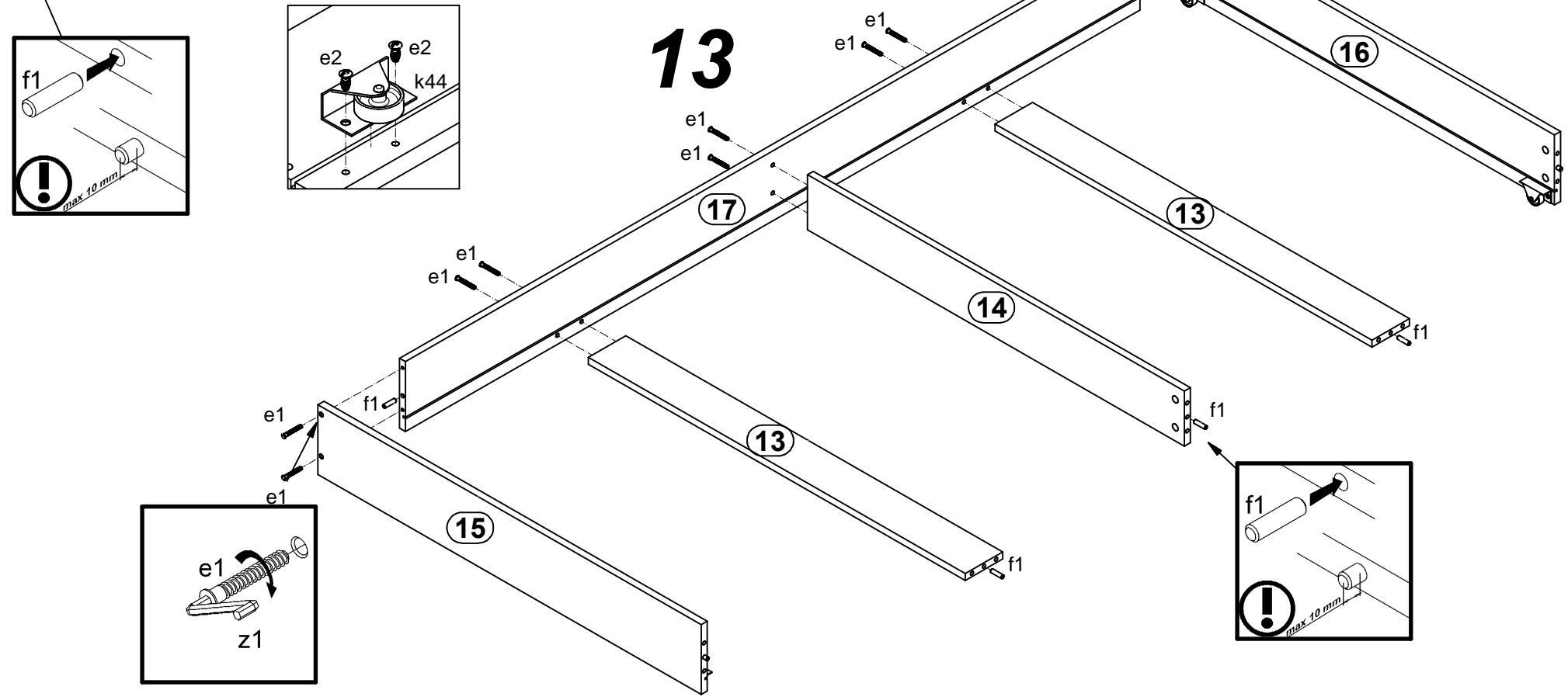
- 4x  M6x60 mm **j144**
- 4x  Ø10x16 mm **r43**

12

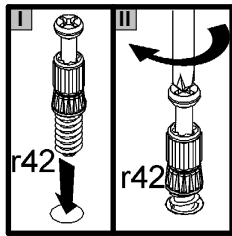
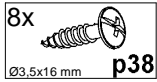
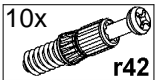
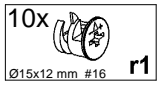
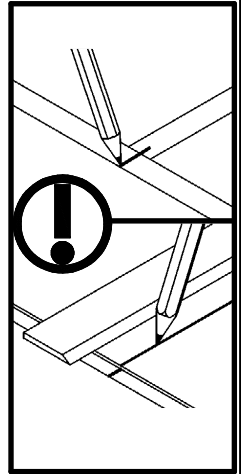
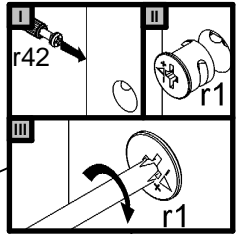
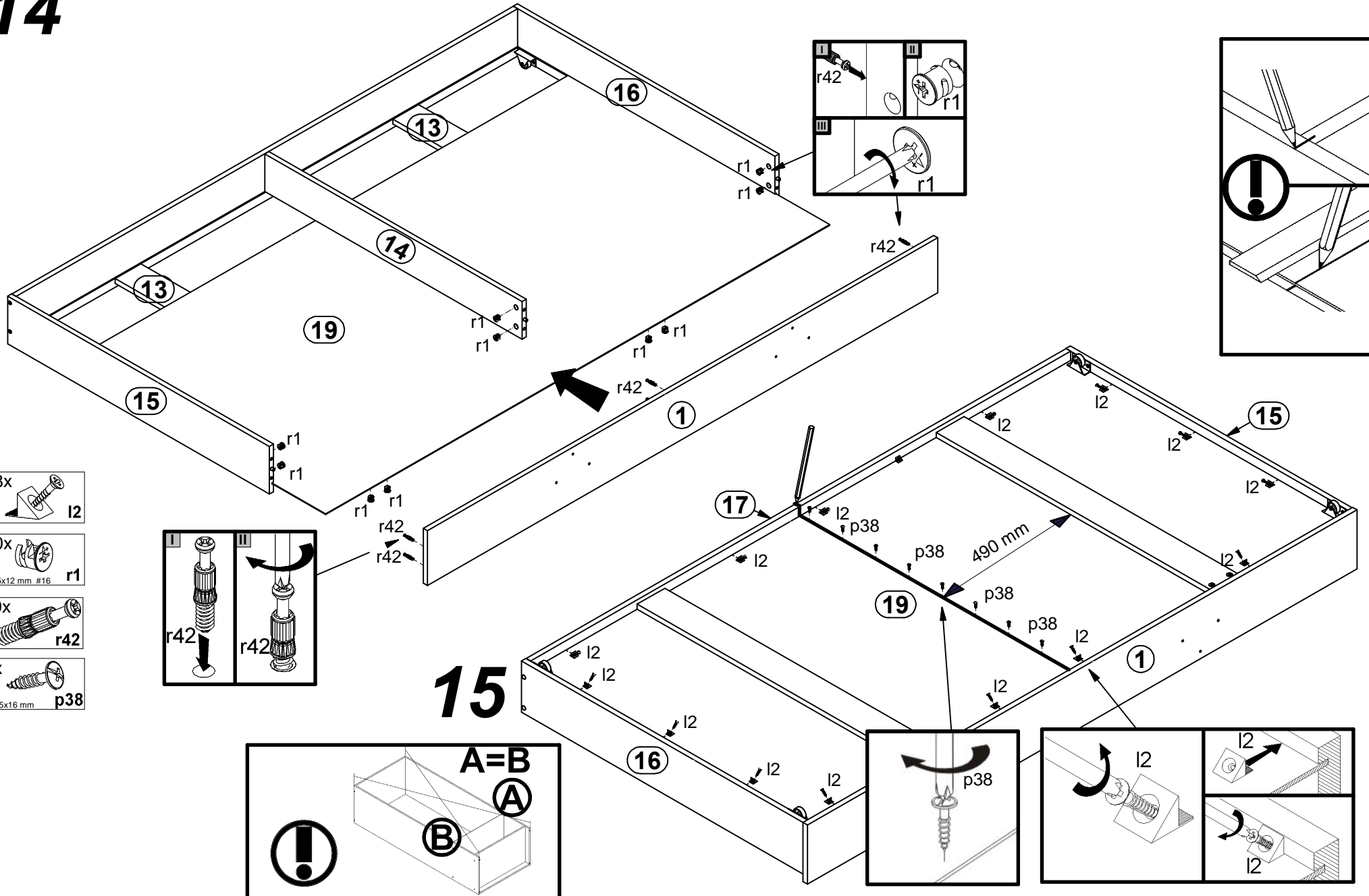


4x		k44	8x		e2	7x		f1	10x		e1
				Ø6.3x13 mm		Ø8x30 mm		Ø7x50 mm			

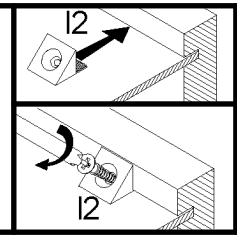
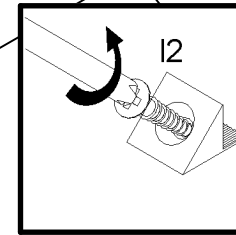
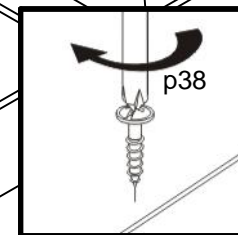
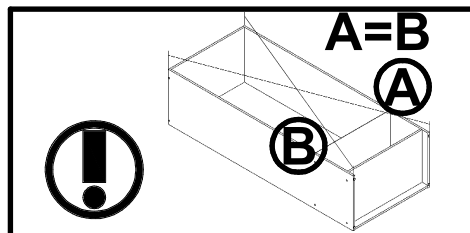
13



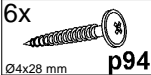
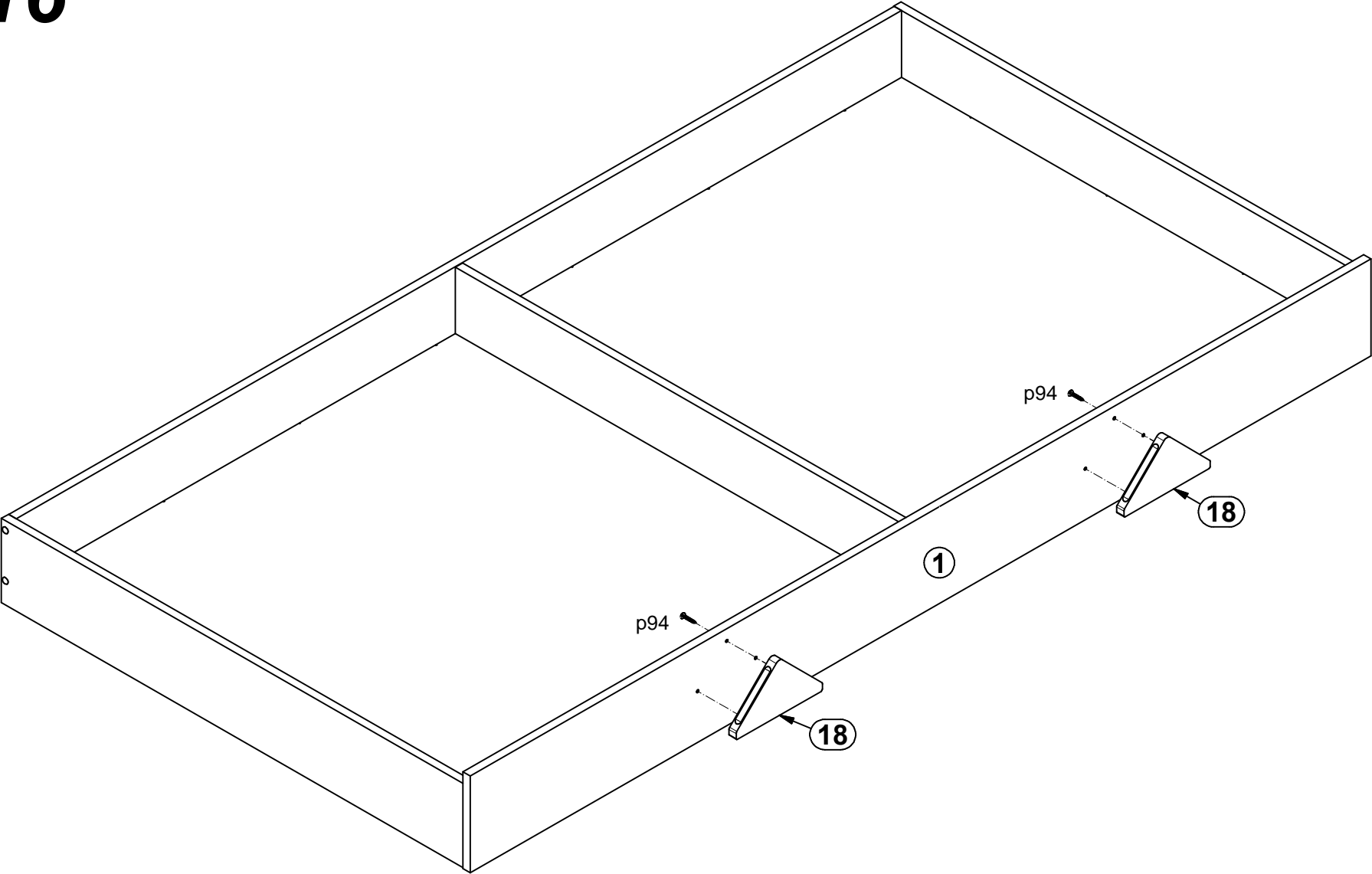
14



15



16



17

- §16A
- §16D
- §16E
- §16F

§16B

