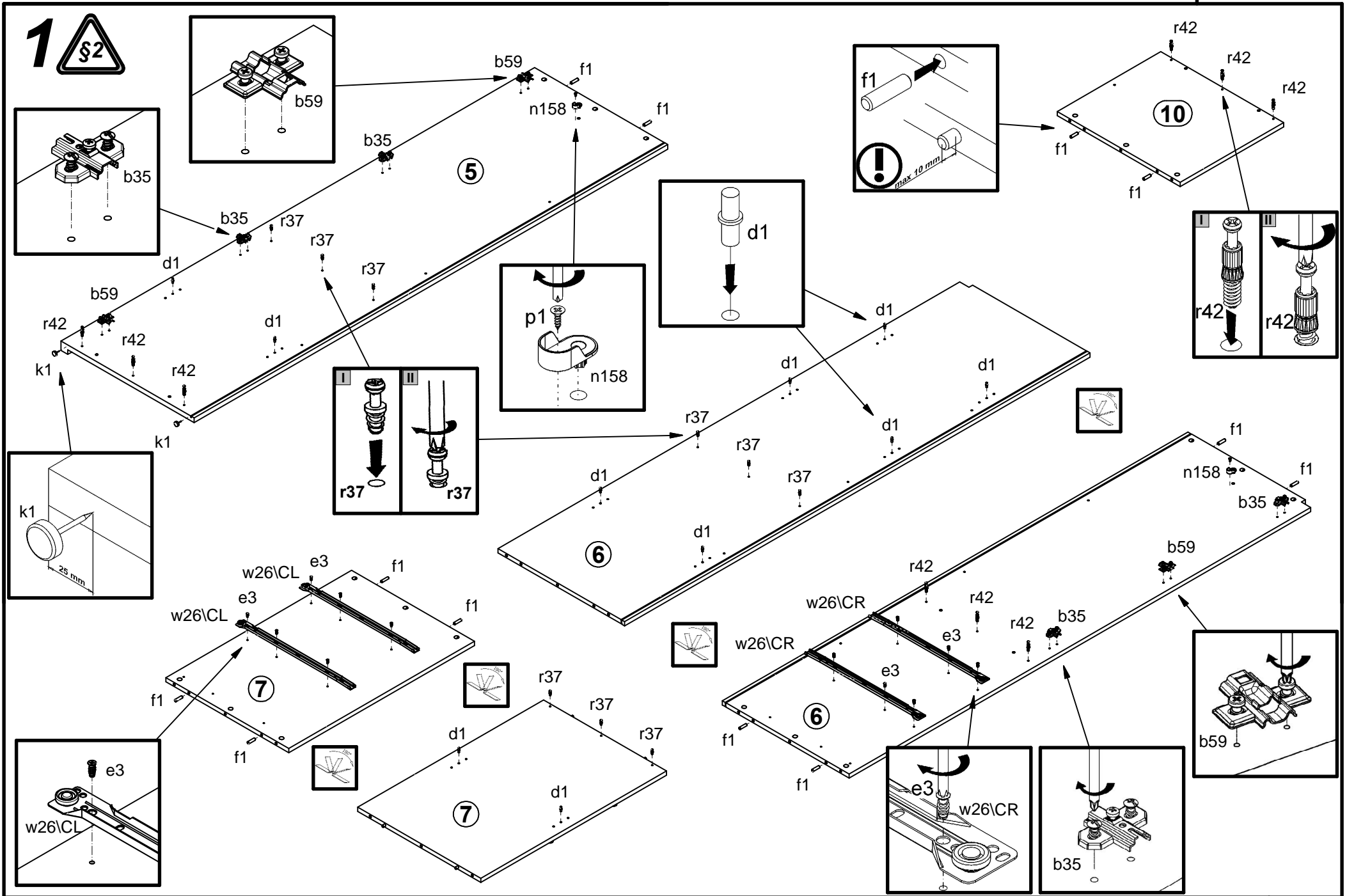


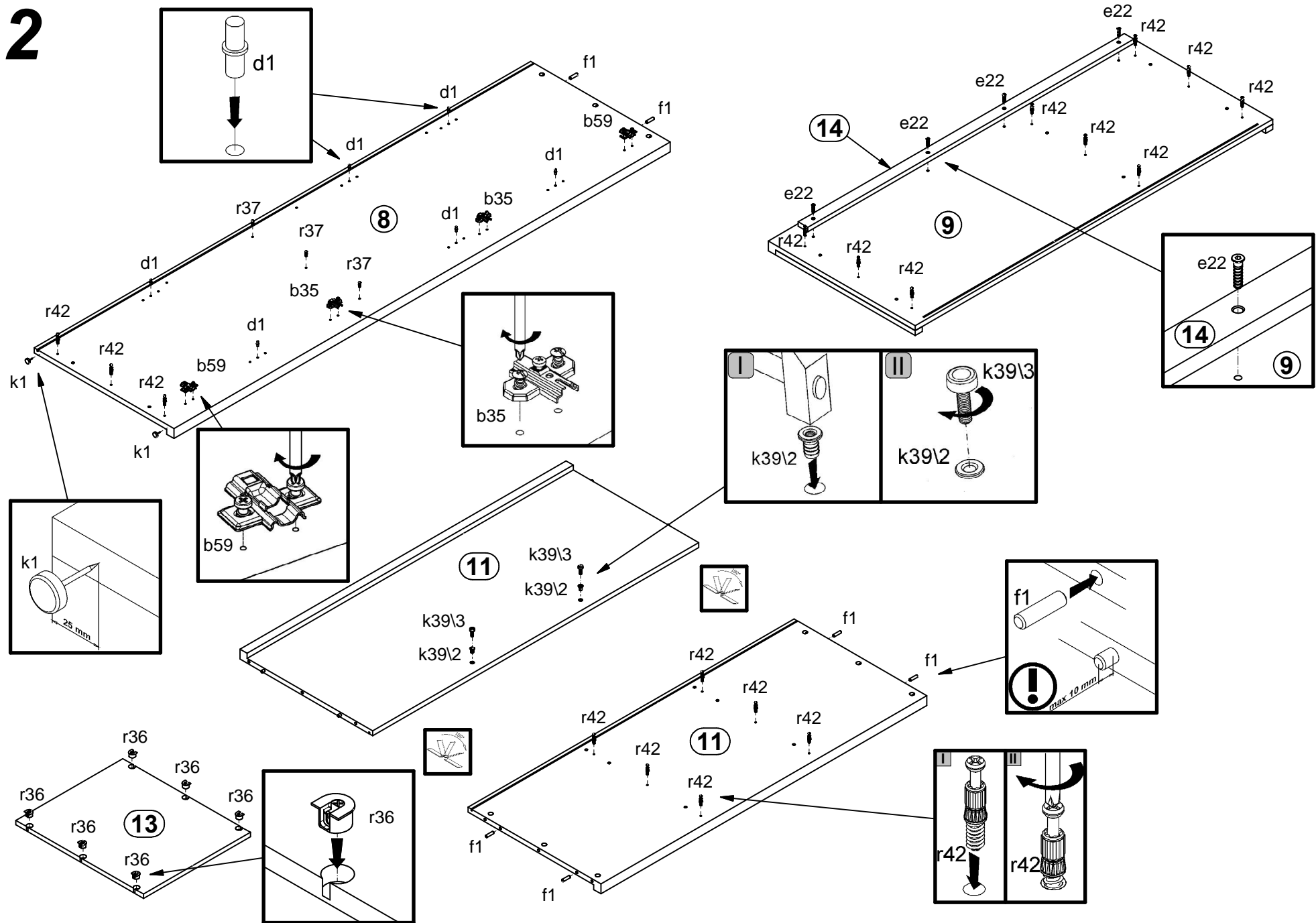
A	B	C (mm)	D	
1	L30-001	2040	450	4/4
2	L30-002	2040	450	4/4
3	L30-031	450	276	4/4
4	L30-034	1200	450	4/4
5	L30-123	2080	585	1/4
6	L30-124	2044	556	1/4
7	L30-125	816	540	2/4
8	L30-126	2080	585	1/4
9	L30-205	1498	615	2/4
10	L30-206	455	540	2/4
11	L30-321	1366	556	2/4
12	L30-322	447	535	3/4
13	L30-323	448	535	3/4
14	L30-407	1366	40	2/4
15	L30-912	2054	455	4/4
16	L30-913	2054	910	4/4
17	L30-916	411	505	2/4
18	ZS3-5652	389	140	2/4
19	ZS4-533	500	140	2/4
20	ZS4-534	500	140	2/4
21	dr-897x30	897	30	2/4



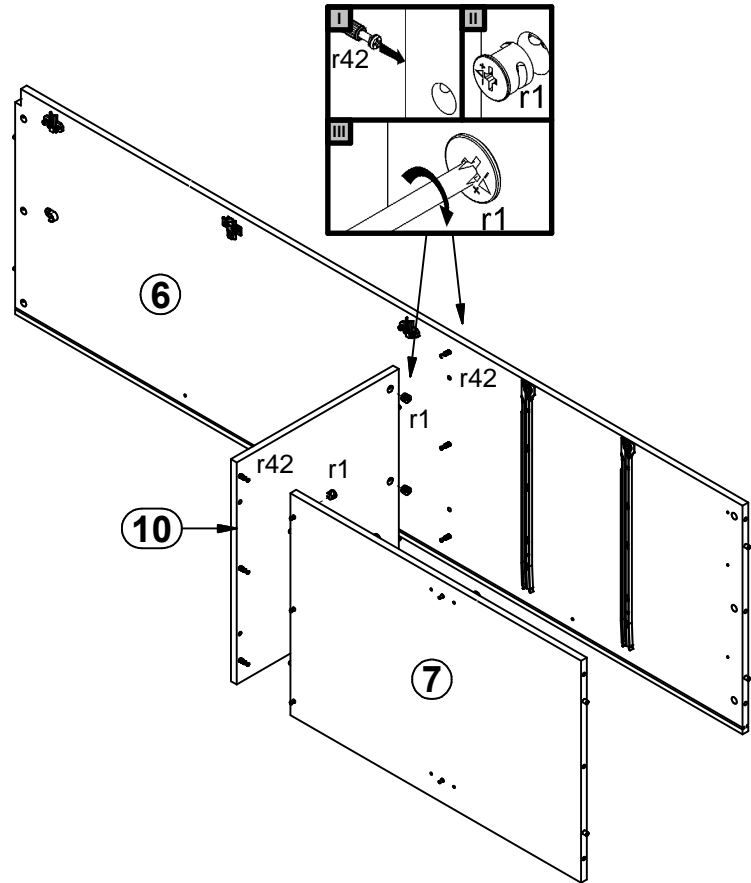
4x K16 a43	2x K9,5 a68	4x K16, K35 Hamulec a101	1x K9, K35 Hamulec a103	6x D3 b35	5x D2 b59	5x 128 mm c406	16x Ø5x17 mm d1	13x d20	18x Ø6x13 mm e3	18x Ø5x9 mm e19	4x Ø7x28 mm e22	13x Ø6,3x10 mm e50
18x Ø8x30 mm f1	6x Ø6x30 mm f9	12x Ø6,5x40 mm f25	10x M4x25 mm j8	6x k1	2x M6/Ø14x14 mm k39 2	2x M6/22 mm k39 3	36x l2	2x n158	2x Ø3,5x13 mm p1	9x Ø3,5x16 mm p38	22x Ø3,5x15 mm p51	27x Ø15x12 mm #16 r1
12x Ø12x10,5 mm #12 r15	12x Ø20x12 mm #16 r36	12x 6,7/7,8 r37	39x 20/11 r42	4x s1	16x Ø16 s2	3x 500 mm w26 CL	3x 500 mm w26 CR	3x 500 mm w26 DL	3x 500 mm w26 DR	1x z1		



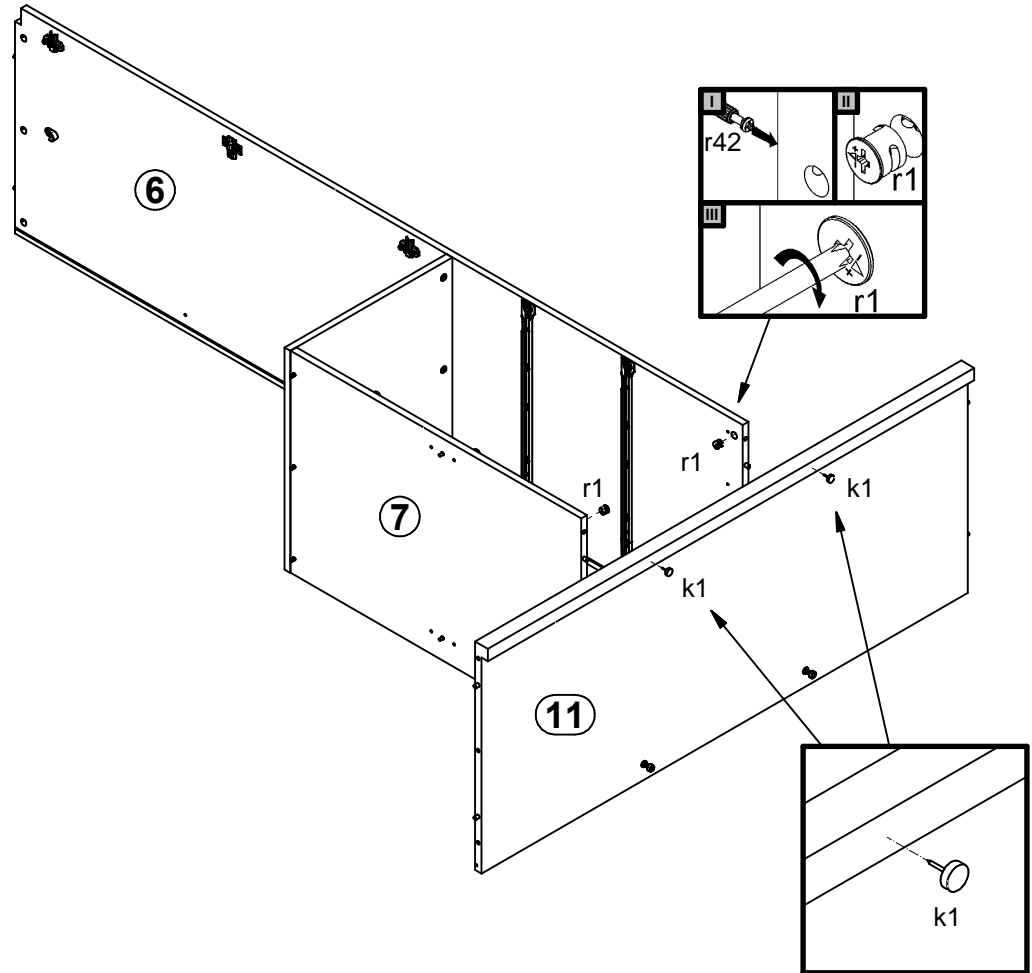
2



3

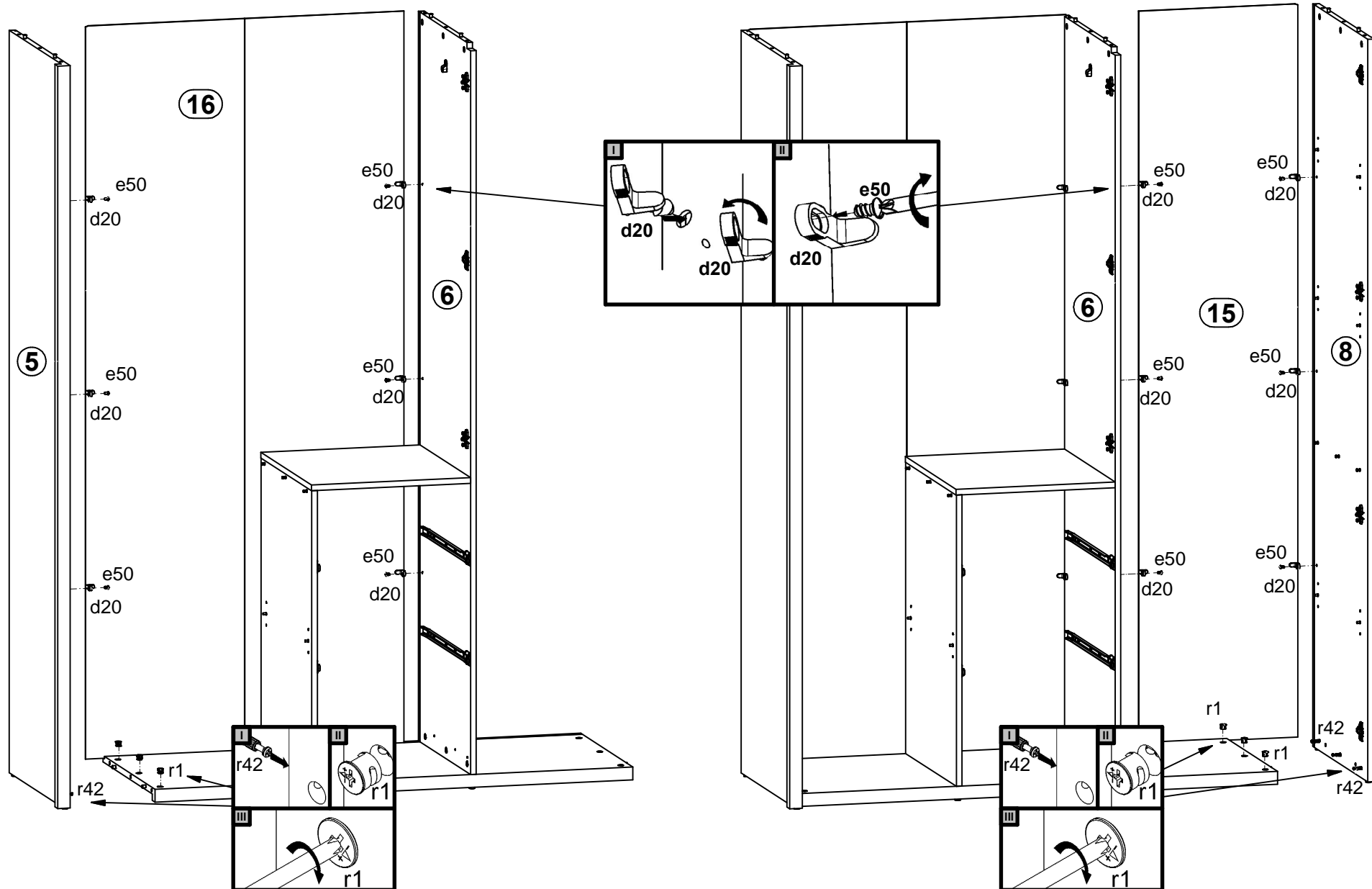


4



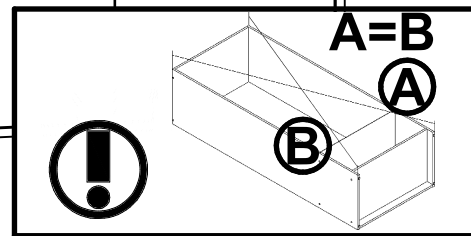
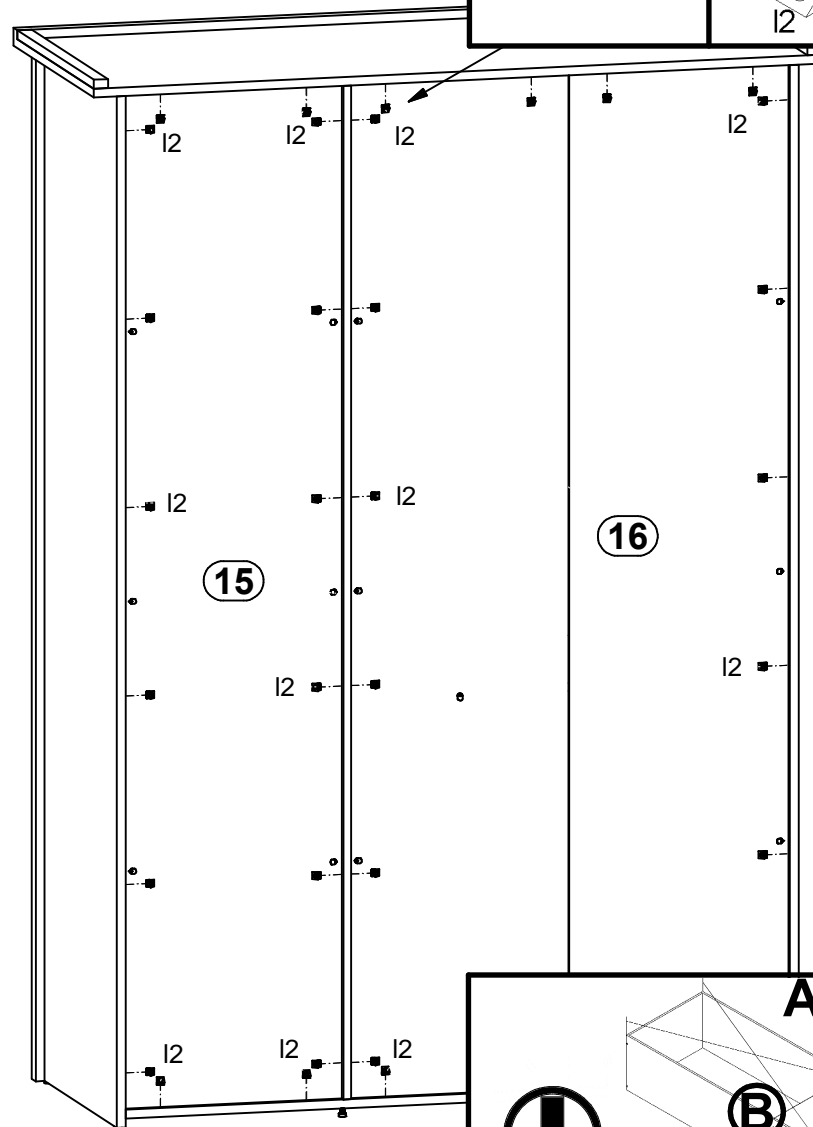
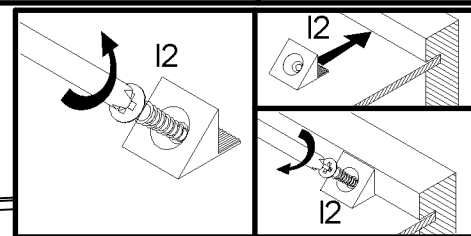
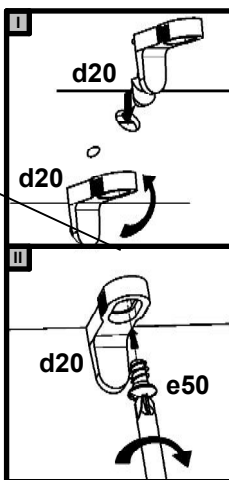
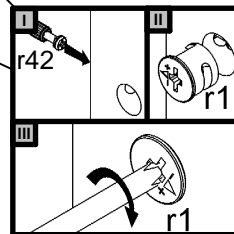
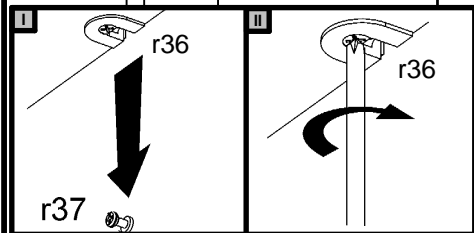
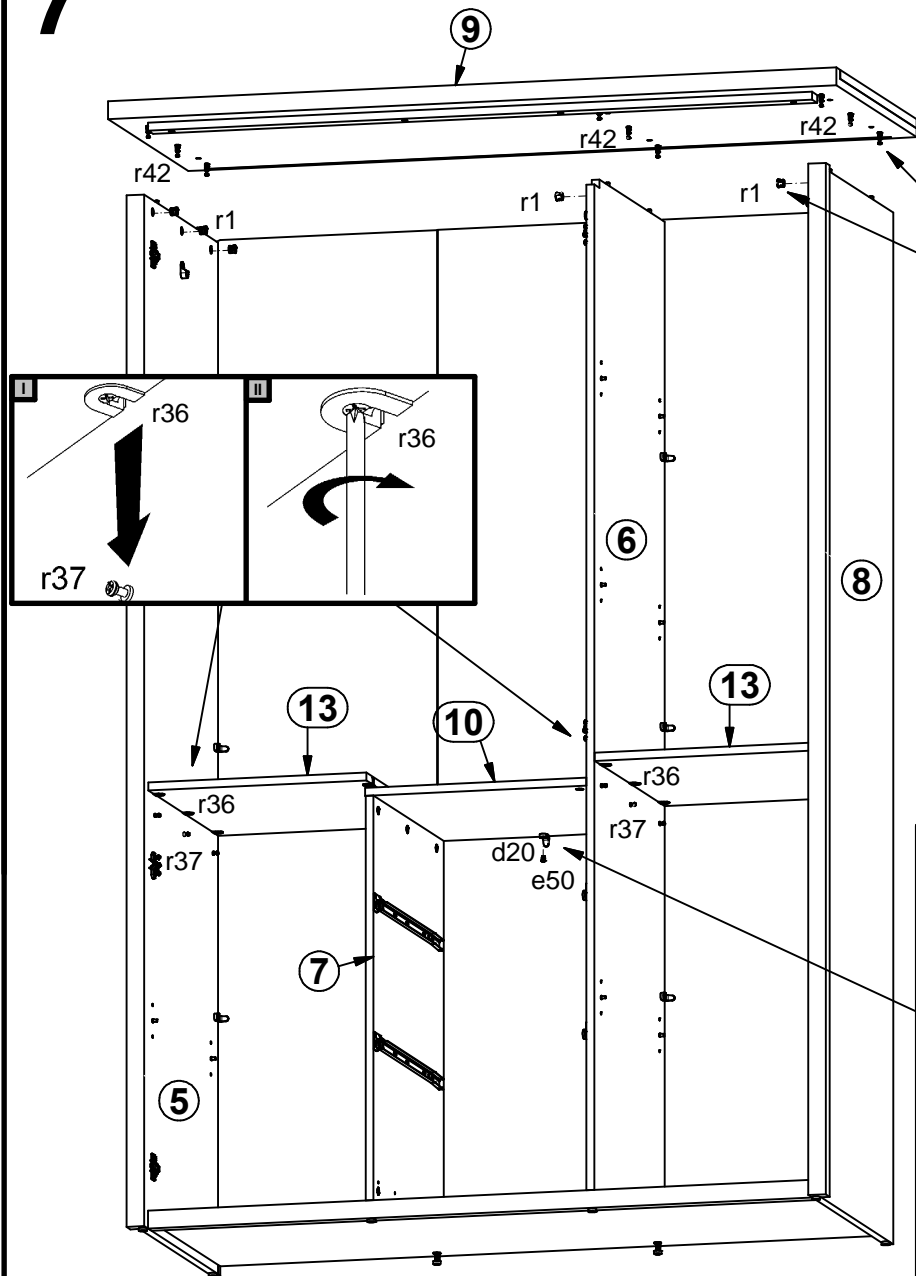
5

6

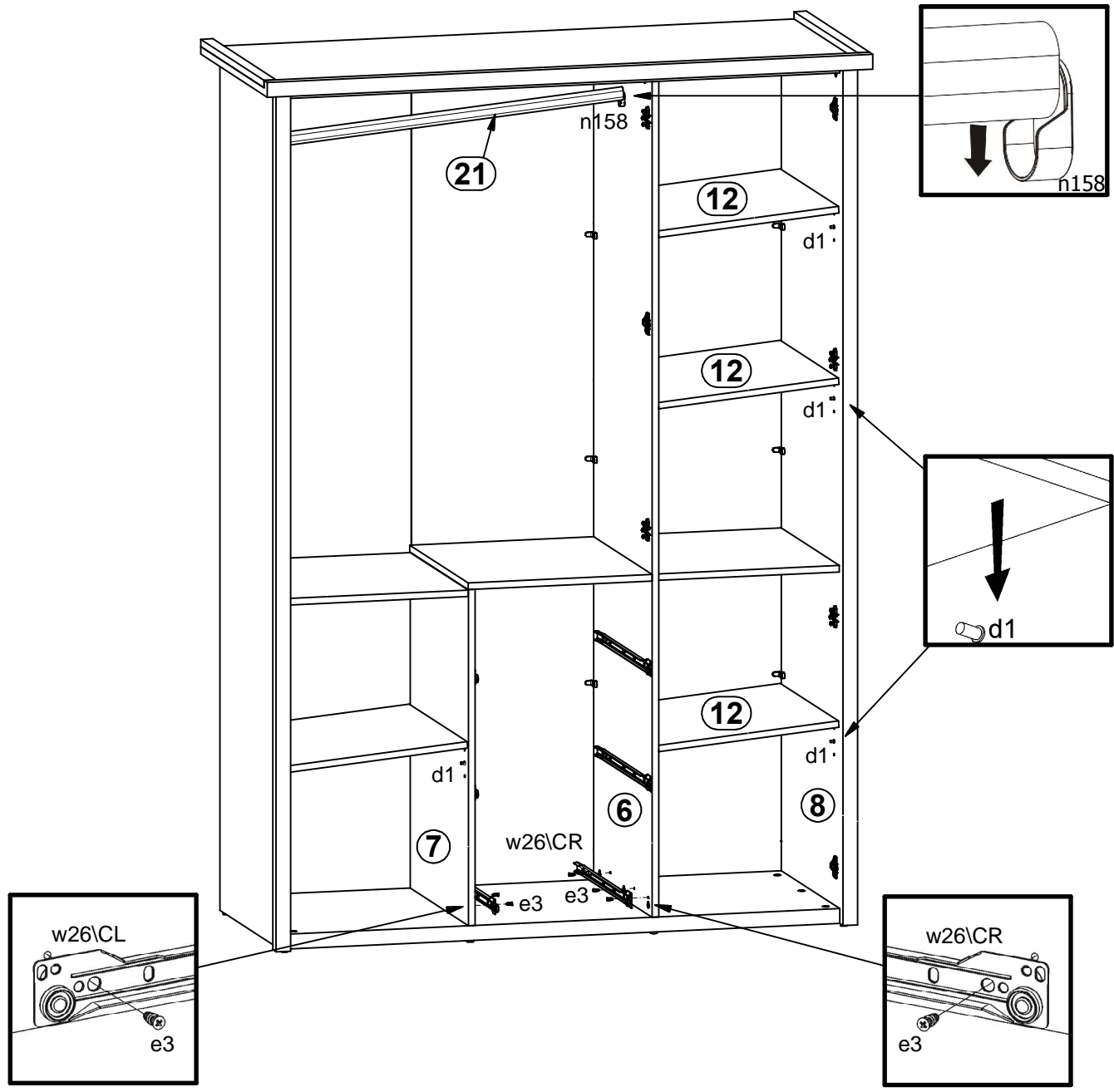


7

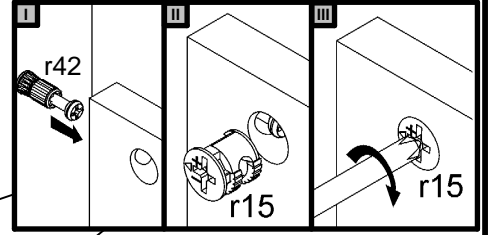
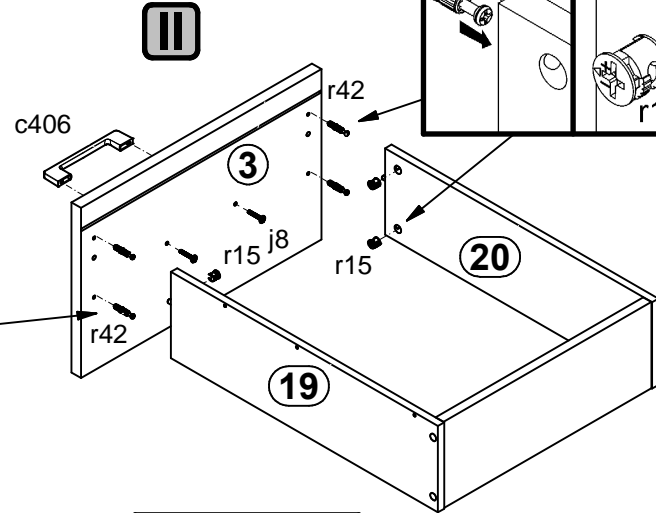
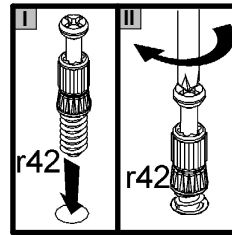
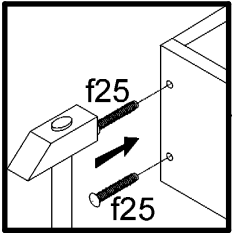
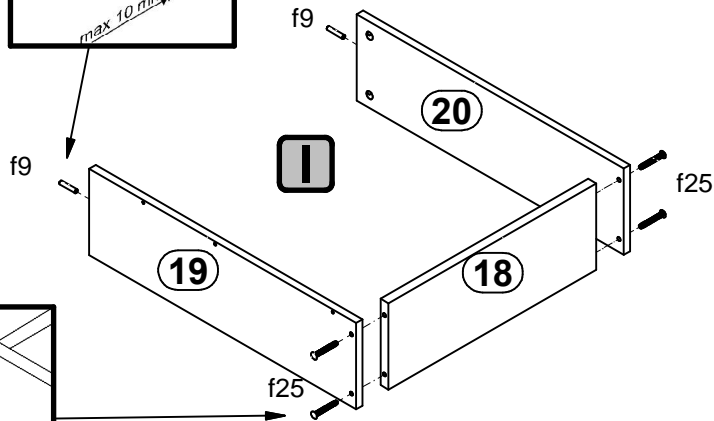
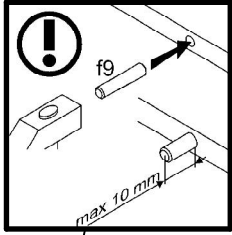
8



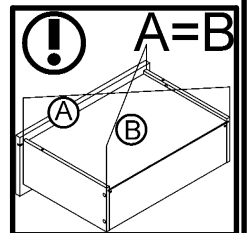
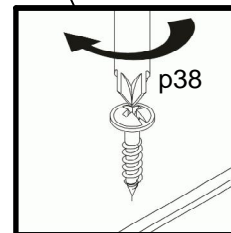
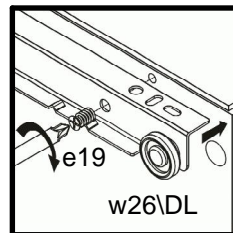
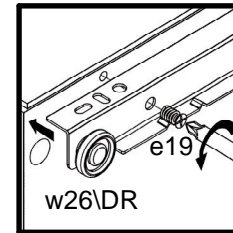
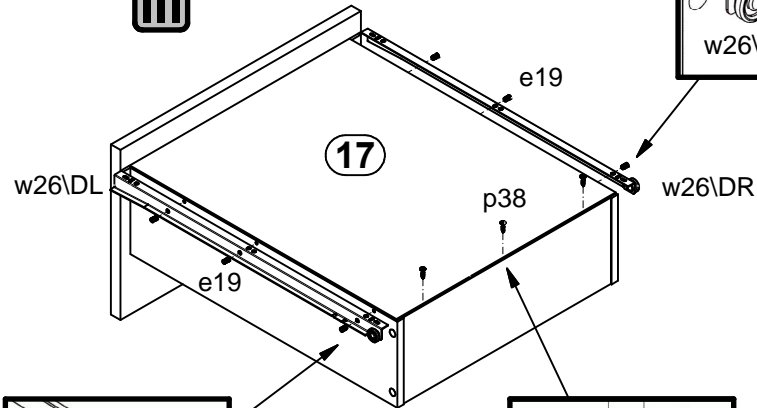
9



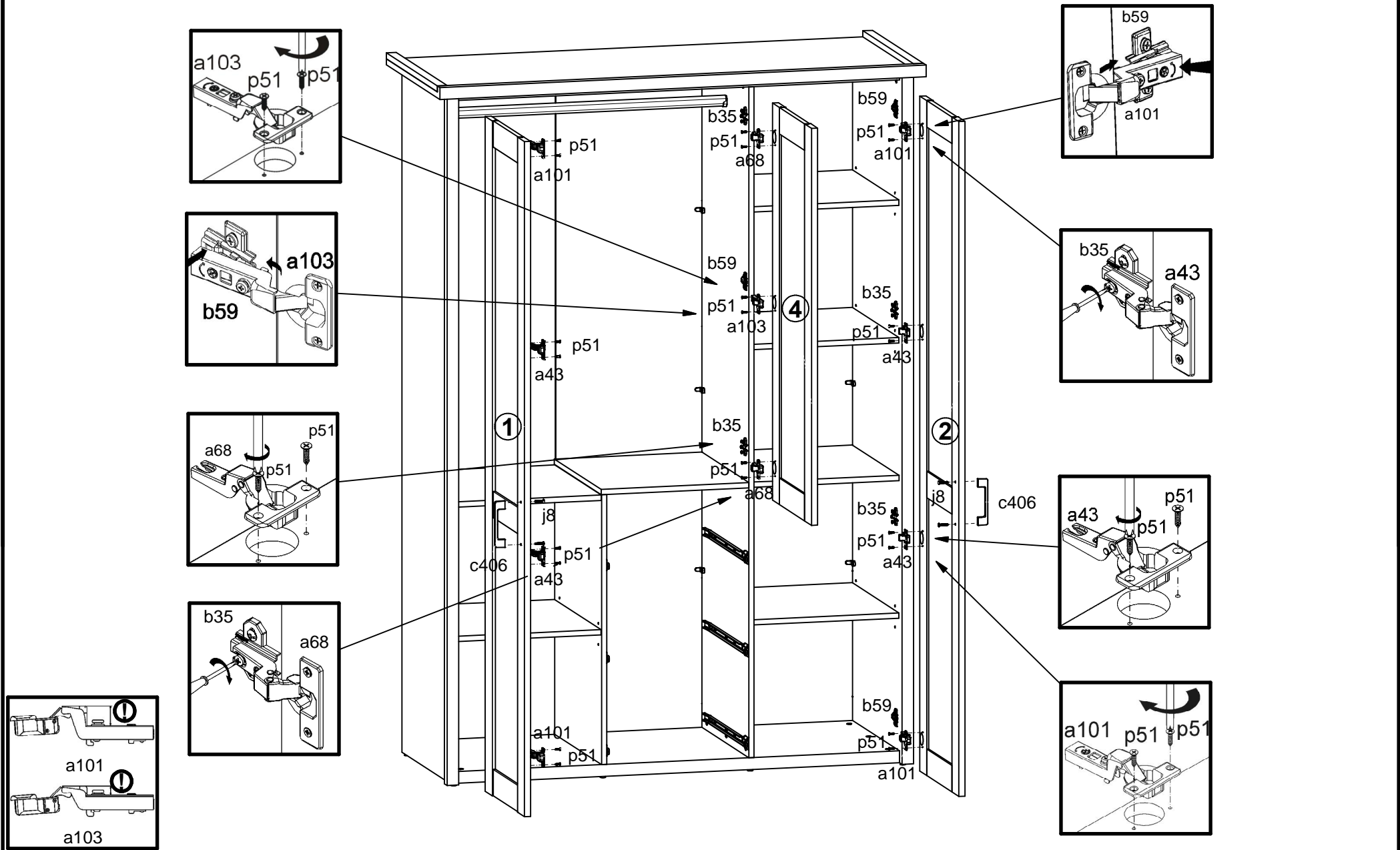
10



III



11



12

