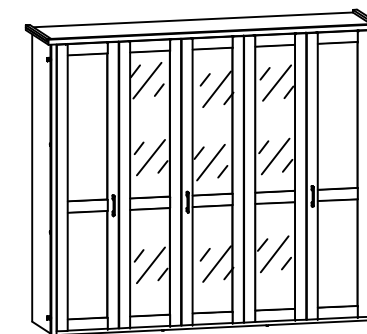
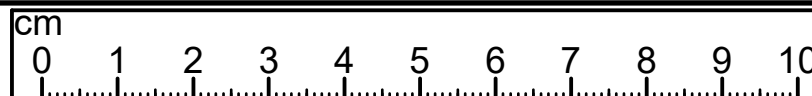


A	B	C (mm)		D
1	L30-001	2040	450	5/5
2	L30-002	2040	450	5/5
3	L30-003	2040	450	5/5
4	L30-004	2040	450	5/5
5	L30-005	2040	450	5/5
6	L30-101	2080	585	1/5
7	L30-102	2080	585	1/5
8	L30-103	2044	556	2/5
9	L30-104	2044	556	2/5
10	L30-201	2406	615	3/5
11	L30-301	2274	556	3/5
12	L30-302	902	535	4/5
13	L30-304	438	535	4/5
14	L30-305	437	535	4/5
15	L30-401	2274	40	3/5
16	L30-901-01	2054	910	1/5
17	L30-902	2054	446	1/5
18	L30-903-01	2054	910	1/5
19	dr-897	897	30	4/5



4x a101	6x a103	4x a43	6x a68
3x 128 mm c406	12x Ø5x17 mm d1	4x Ø7x28 mm e22	16x Ø8x30 mm f1
40x Ø3.5x15 mm p51	24x Ø15x12 mm #16 r1	18x Ø20x12 mm #16 r36	18x r37
		24x r42	1x z1

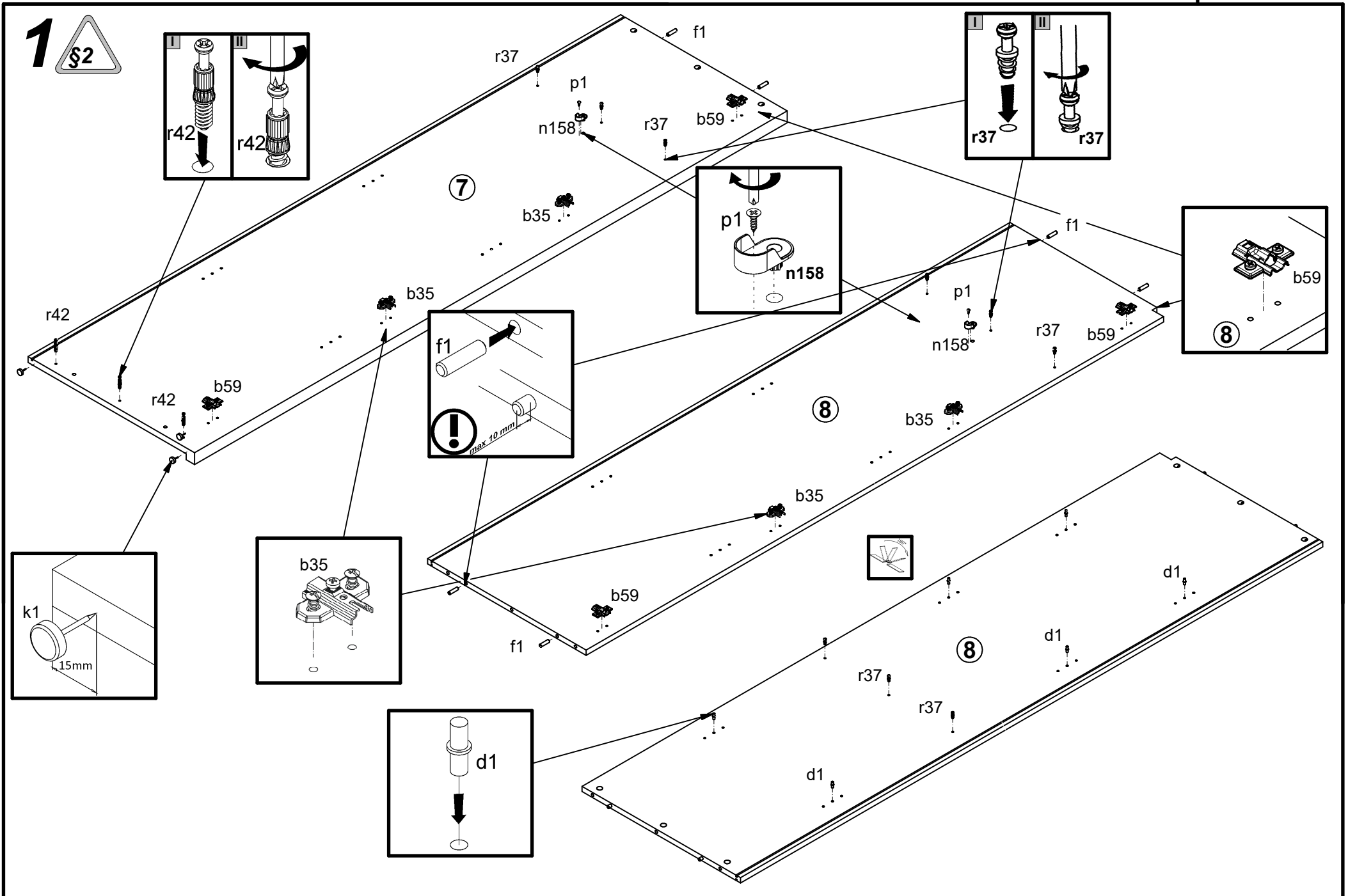


10x b35	10x b59
----------------	----------------

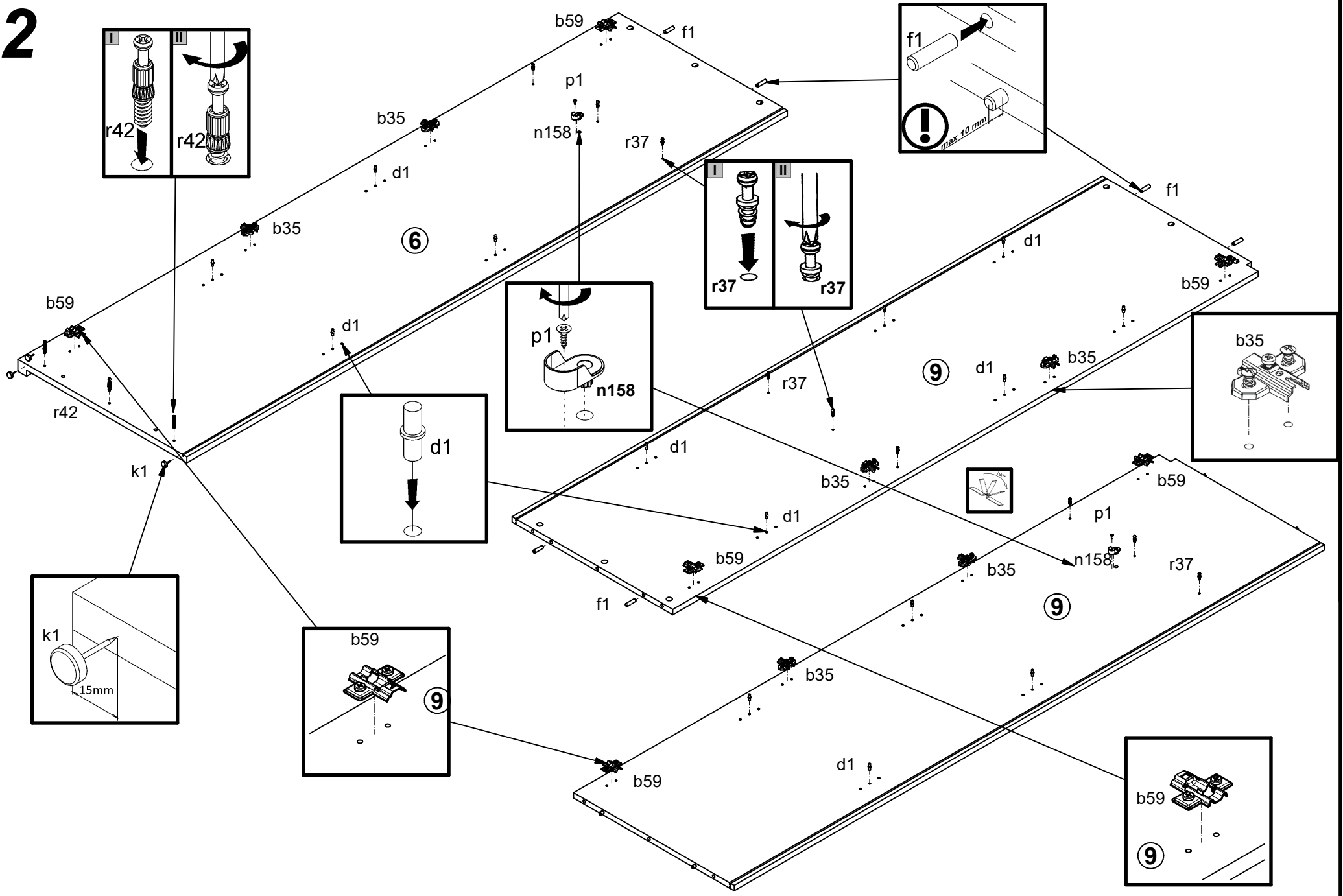
8x M4x25 mm j8	8x k1	2x M6/Ø14x14 mm k392	2x M6/22 mm k393	58x l2	4x n158	4x Ø3.5x13 mm p1
	4x s1	24x Ø16 s2	5x d20	5x Ø6.3x13 mm e2		



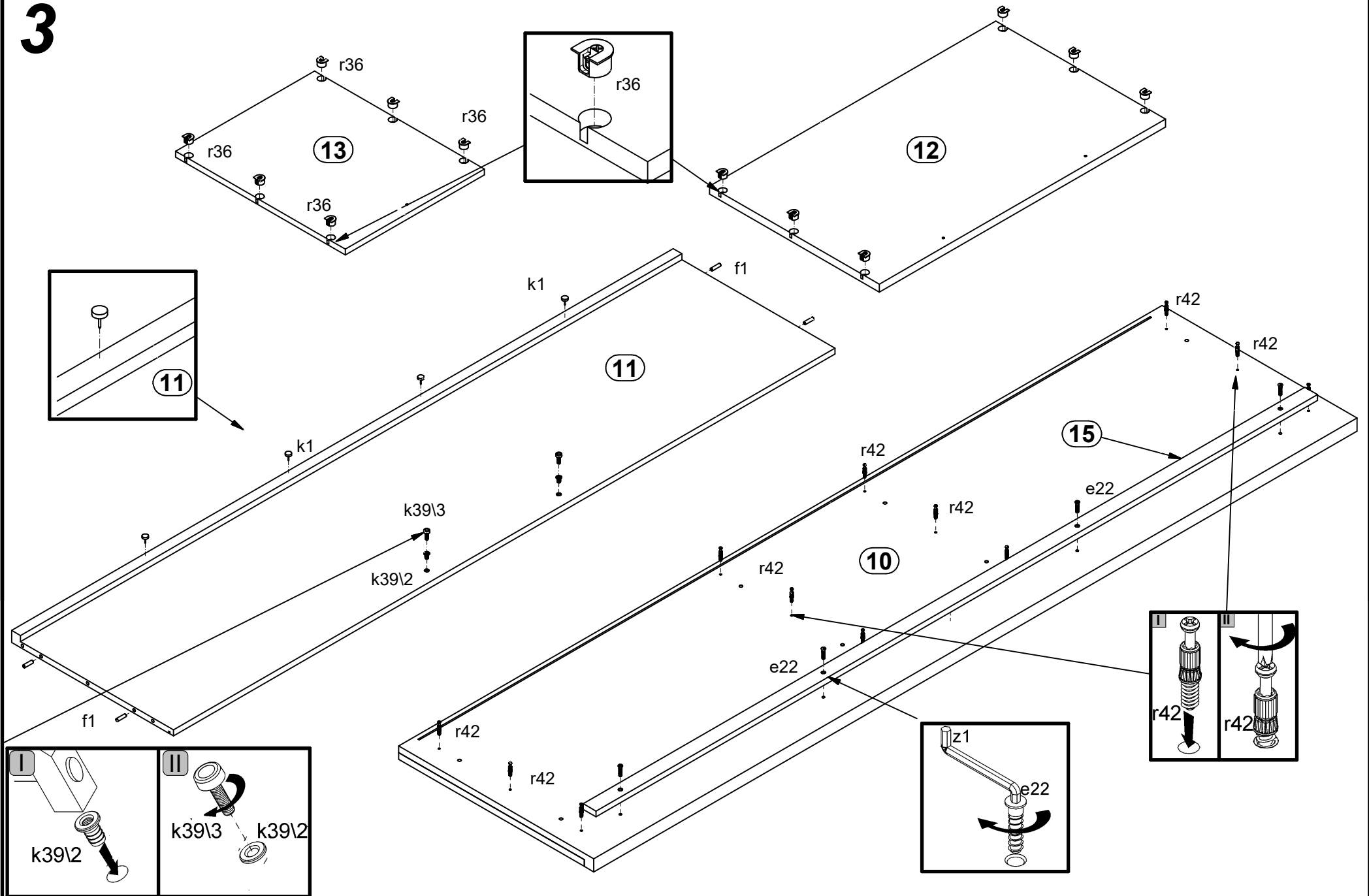
8x Ø5x17 mm d1



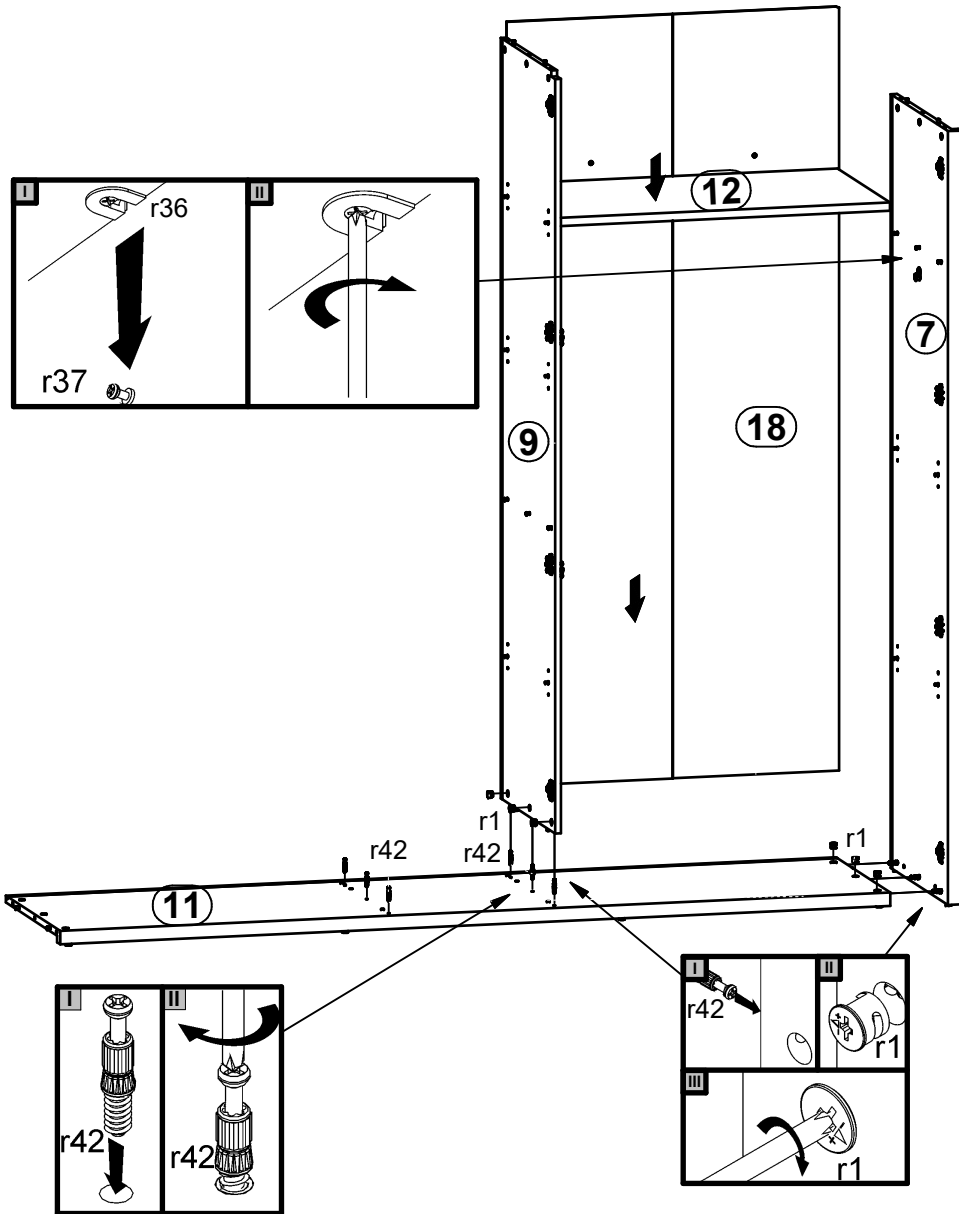
2



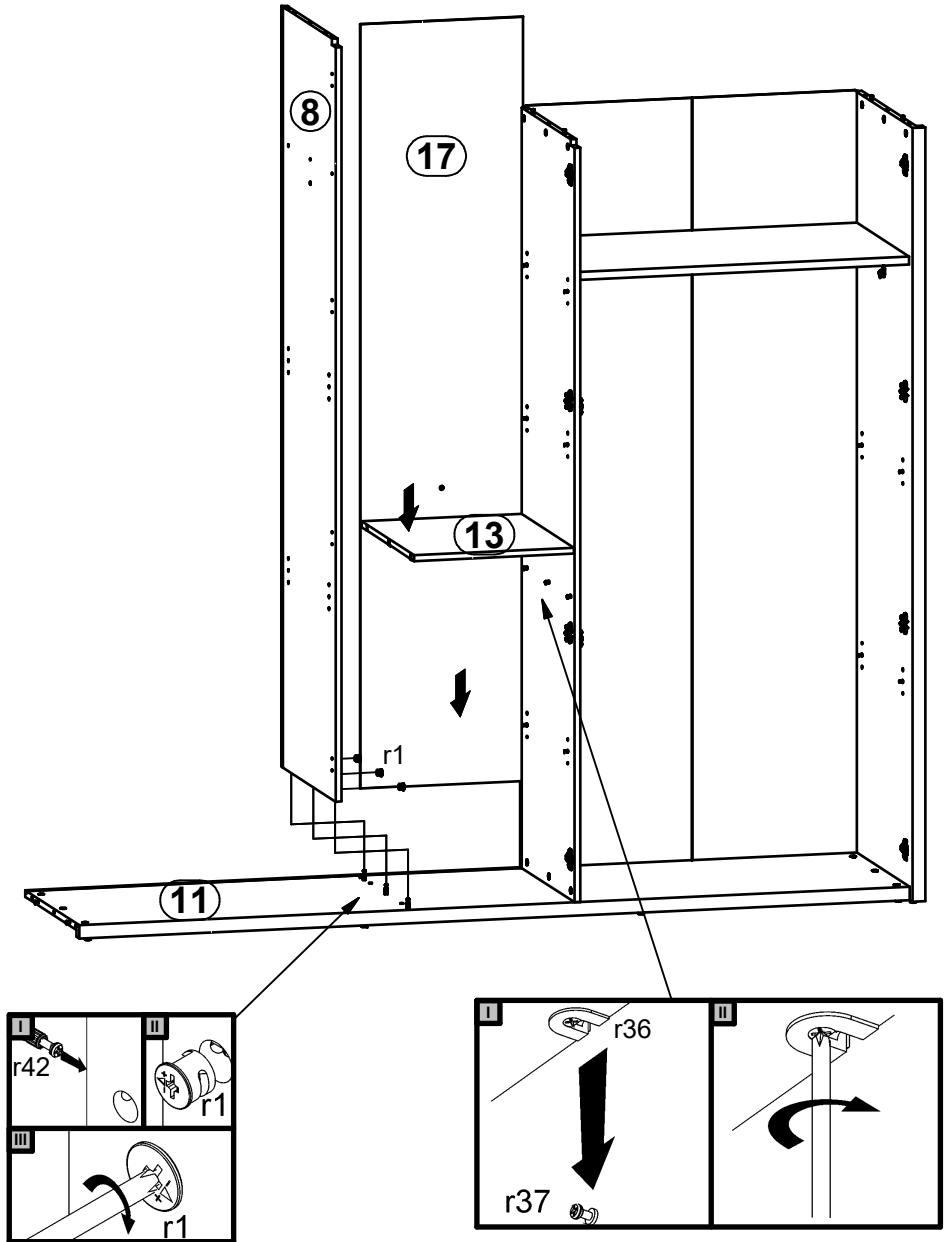
3



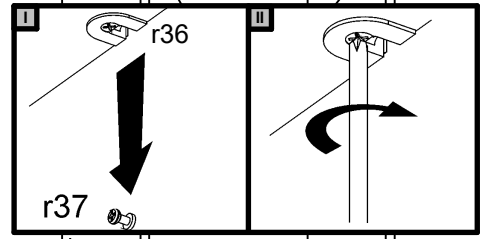
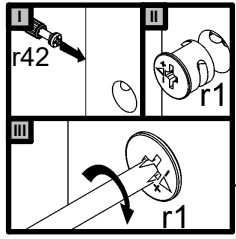
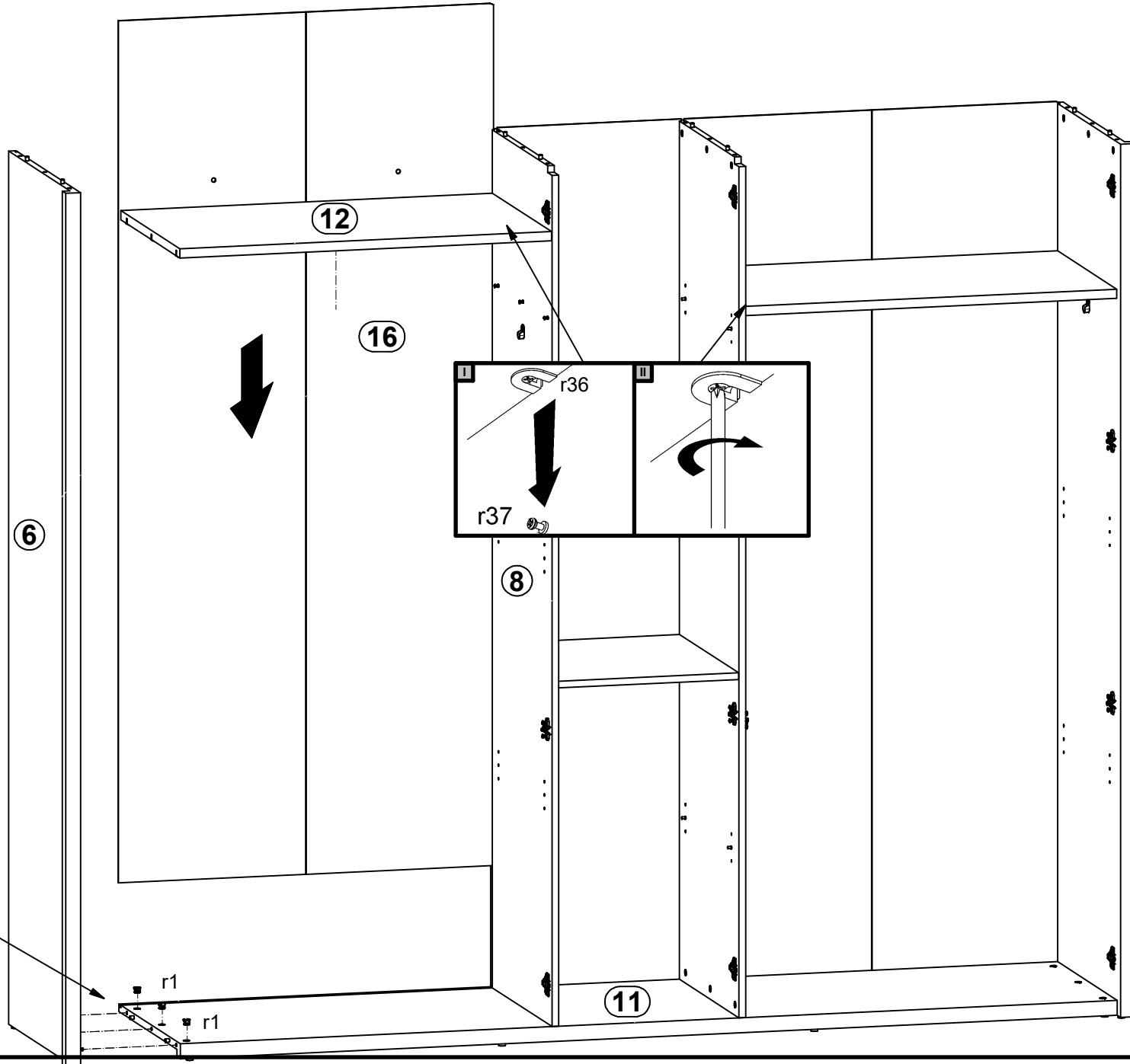
4 §2 §6



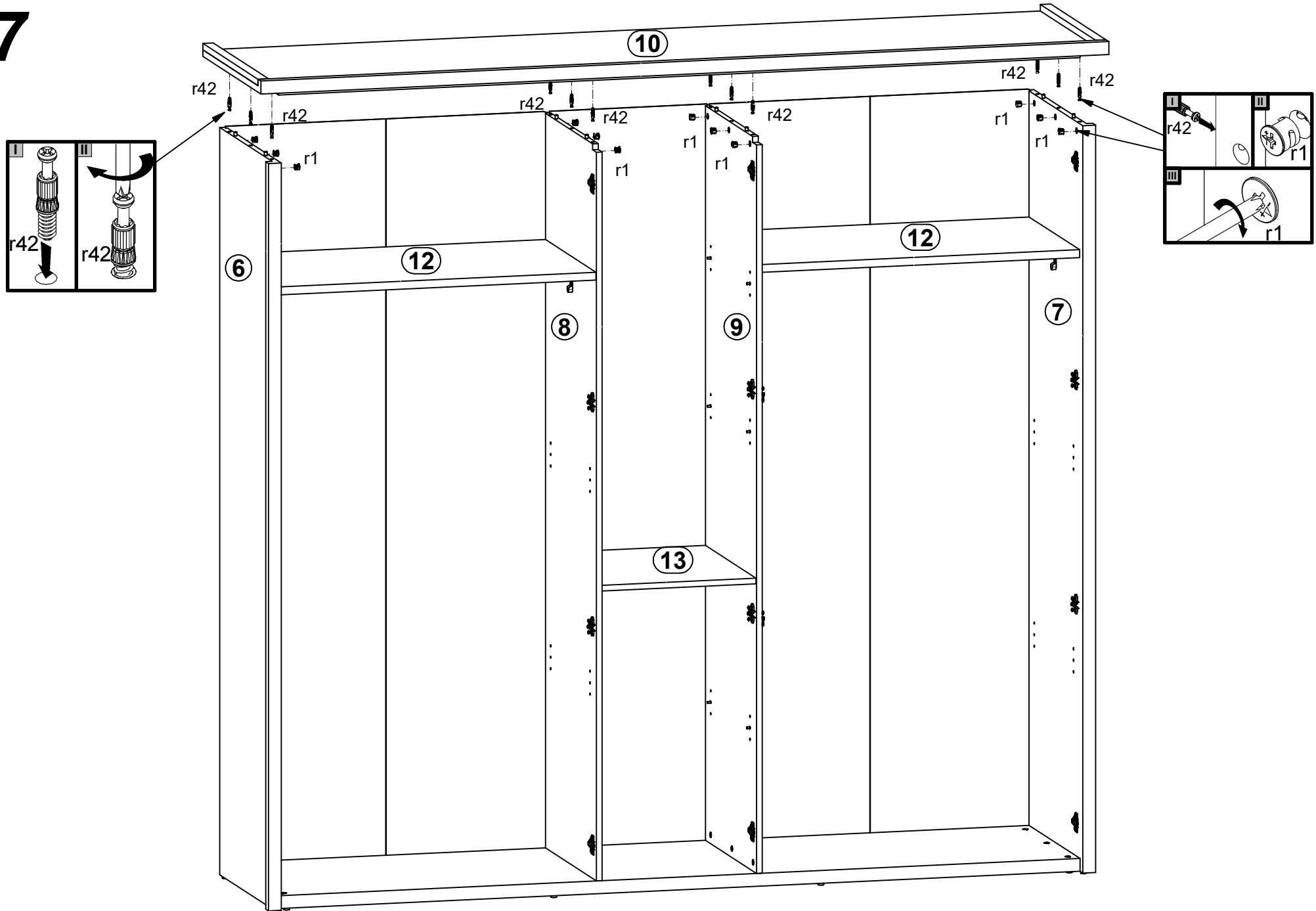
5 §6



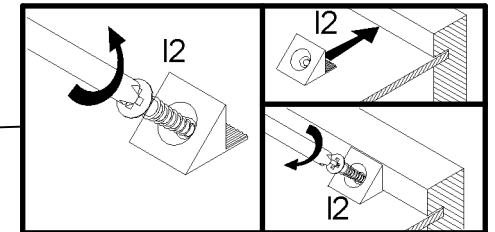
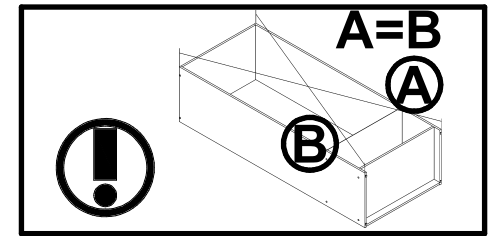
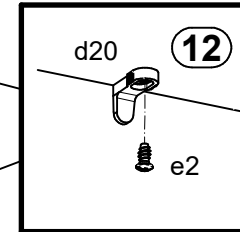
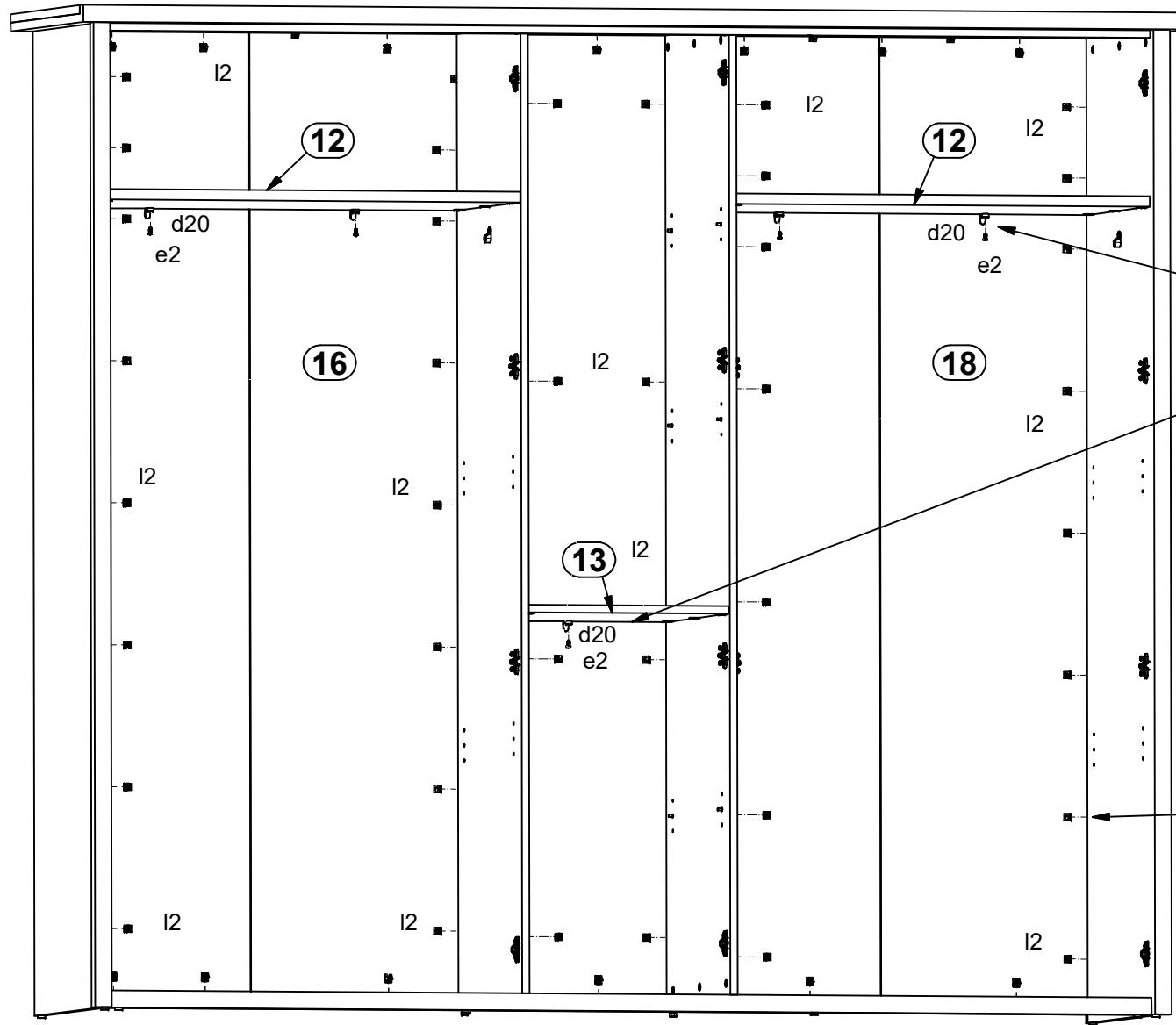
6



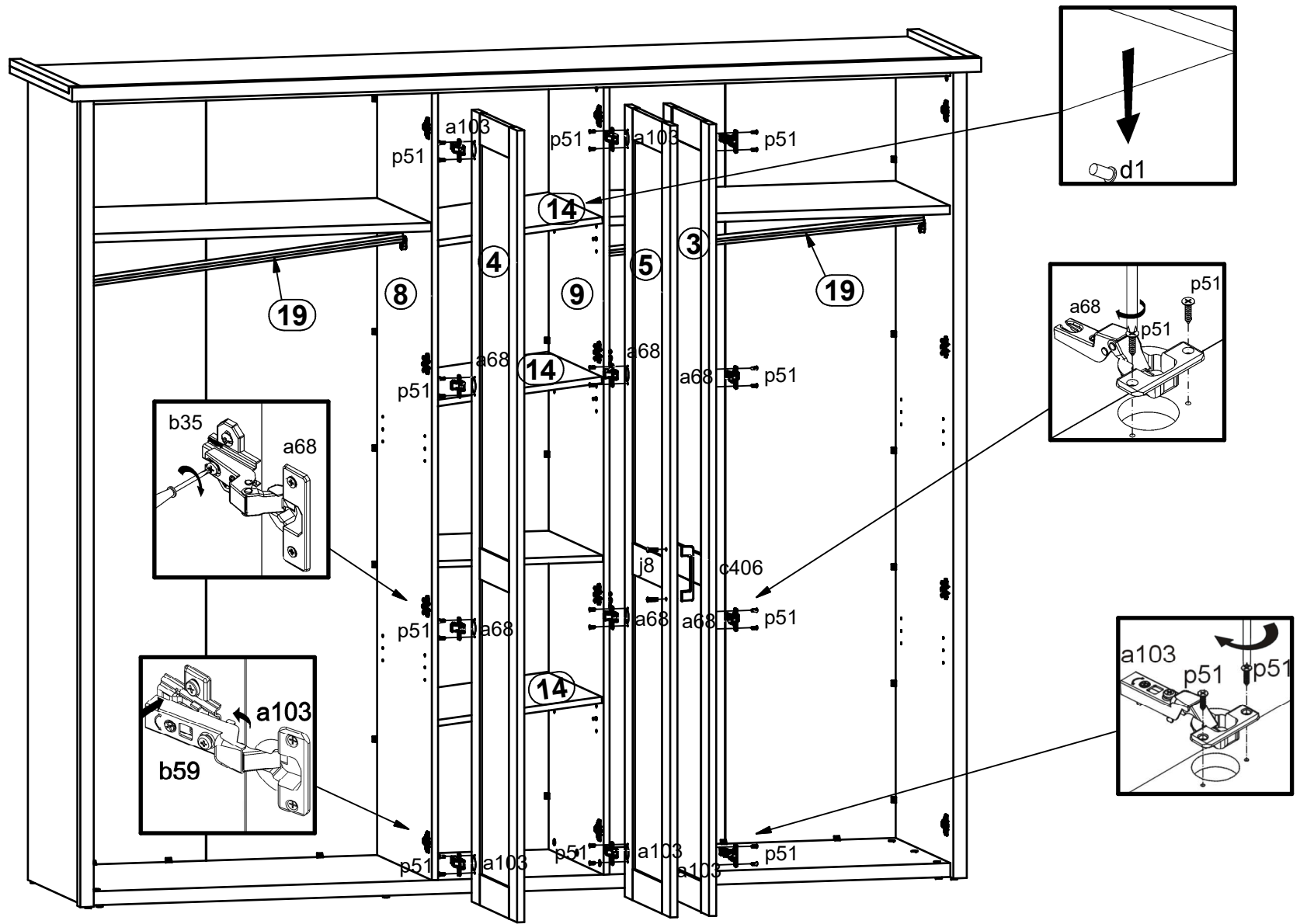
7



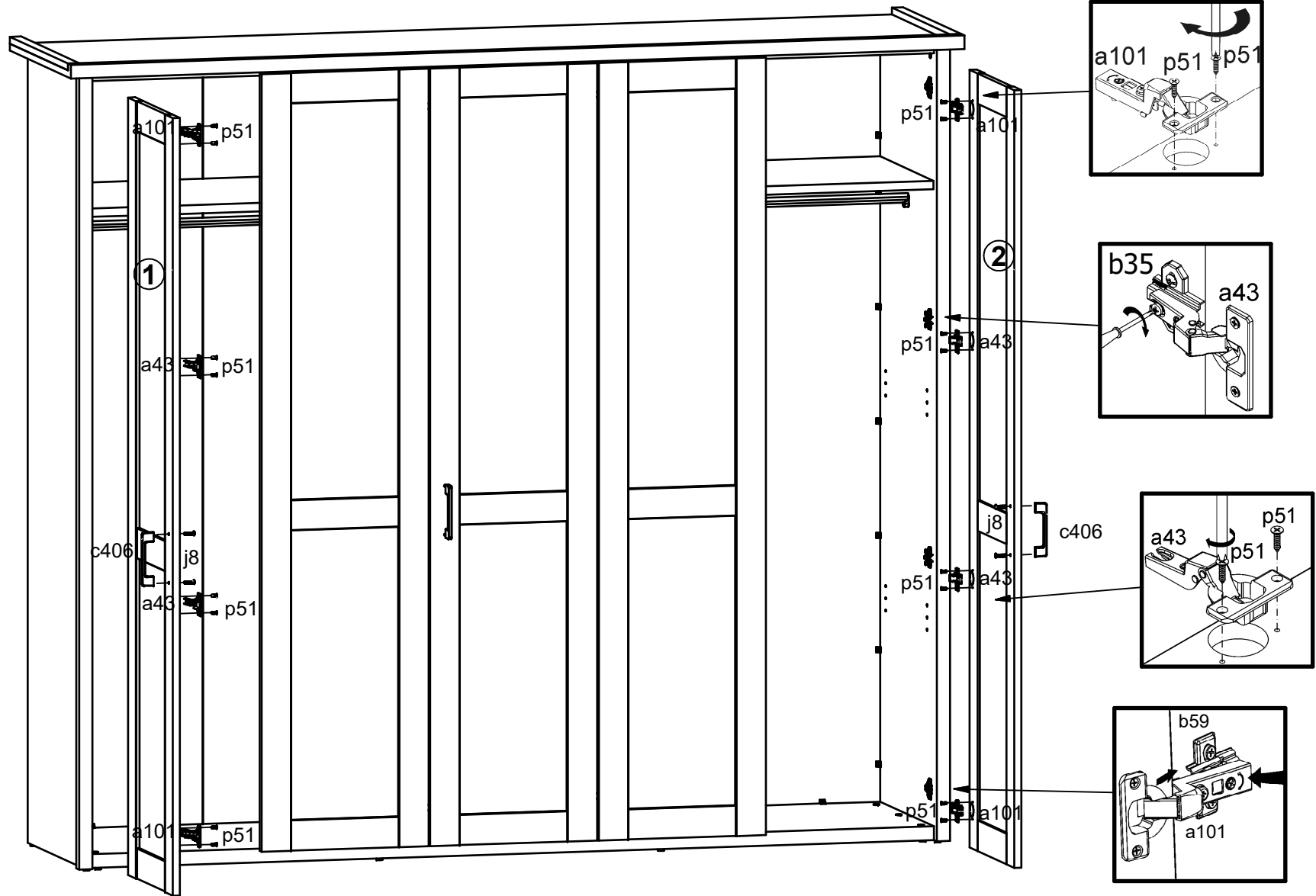
8



9



10



9

