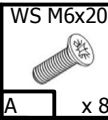


1/2

DARWIN 180x200



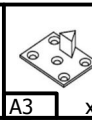
x 8



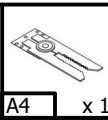
x 8



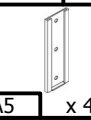
x 15



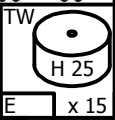
x 1



x 1



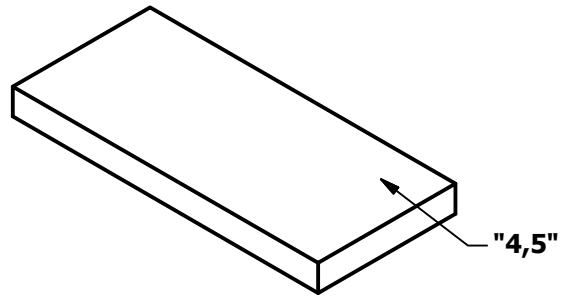
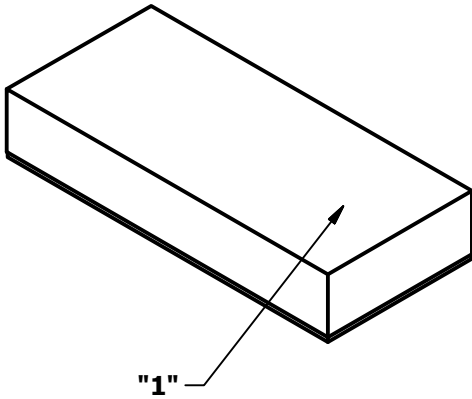
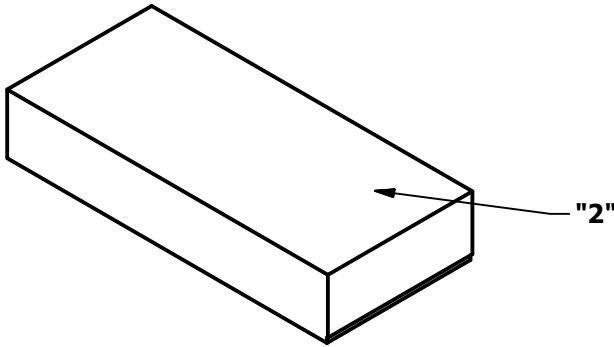
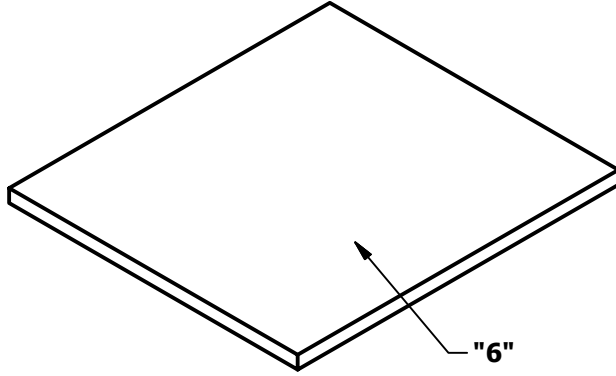
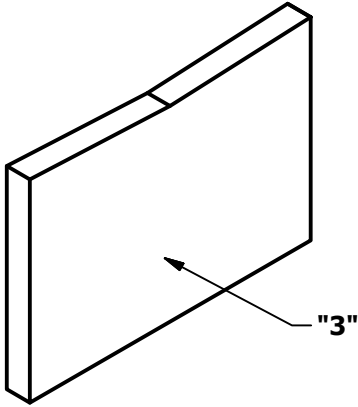
x 4



x 15



1
2
3
4
5
6



A	"1"	<input type="checkbox"/>
A1	"2"	<input type="checkbox"/>
A2	"3"	<input type="checkbox"/>
A3	"4"	<input type="checkbox"/>
A4	"5"	<input type="checkbox"/>
A5	"6"	<input type="checkbox"/>
E		<input type="checkbox"/>

