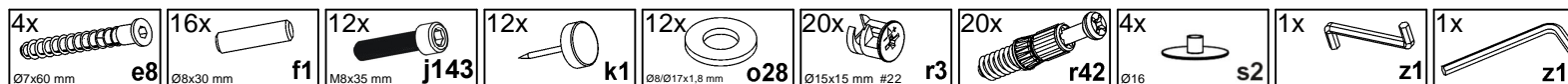
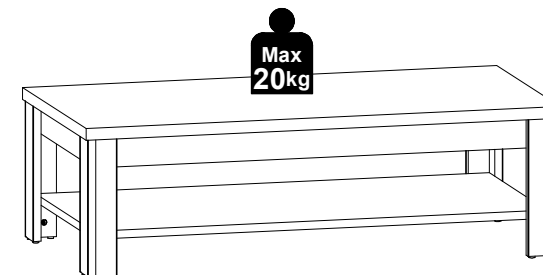


| A | B         | C (mm) |     | D   |
|---|-----------|--------|-----|-----|
| 1 | S214-209  | 1300   | 650 | 1/1 |
| 2 | S214-406  | 1245   | 80  | 1/1 |
| 3 | S214-407  | 549    | 80  | 1/1 |
| 4 | S214-5528 | 368    | 58  | 1/1 |
| 5 | S214-5530 | 368    | 58  | 1/1 |
| 6 | S248-3020 | 1244   | 592 | 1/1 |
| 7 | S248-5301 | 368    | 80  | 1/1 |
| 8 | S248-5302 | 368    | 80  | 1/1 |

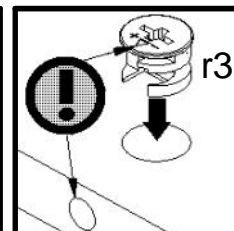
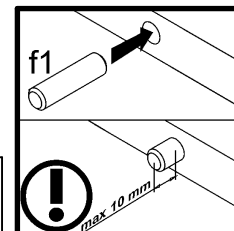
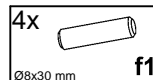
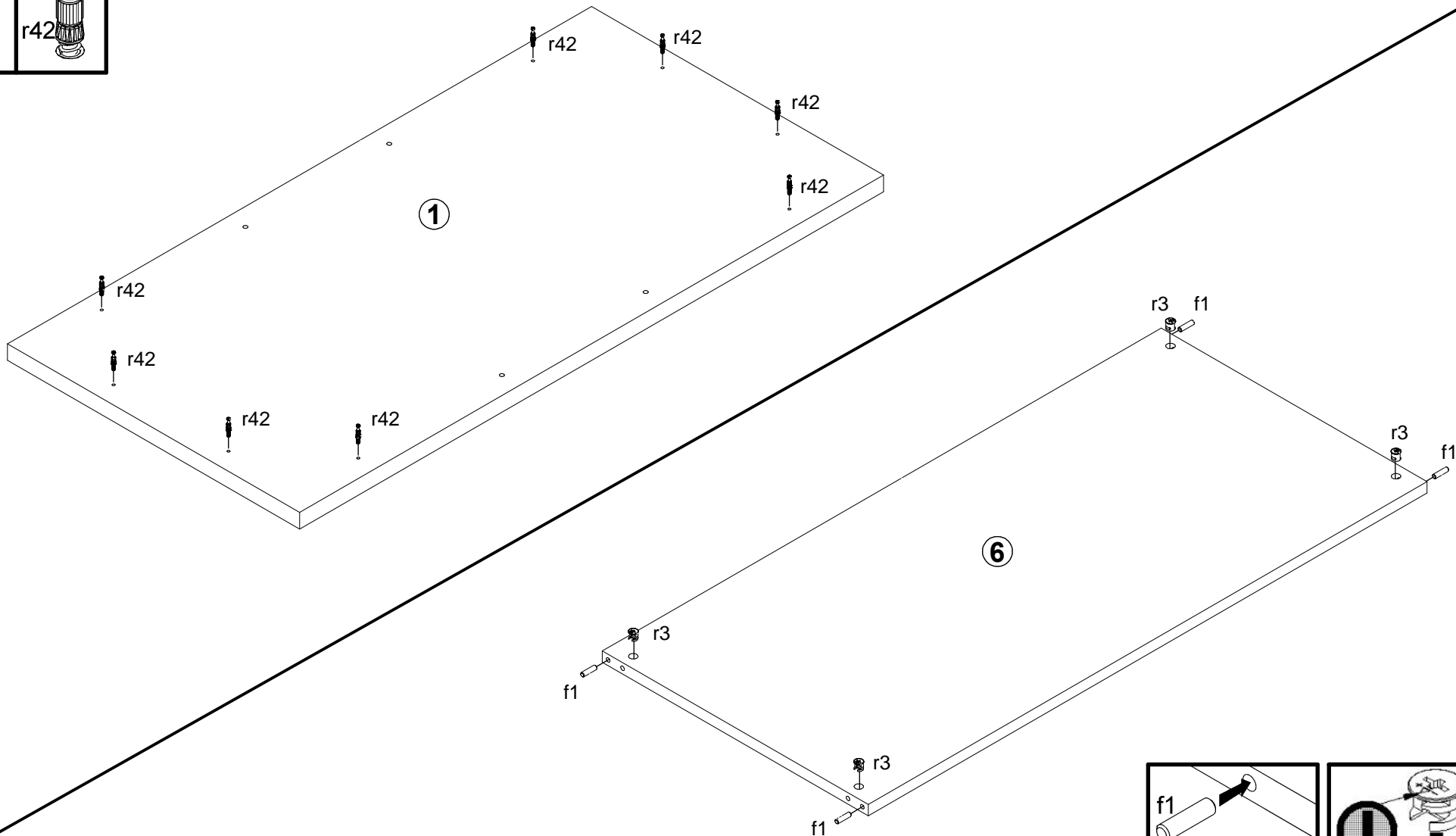
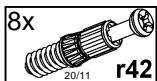
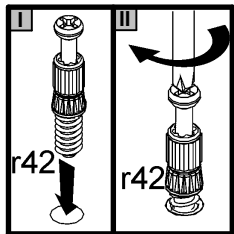


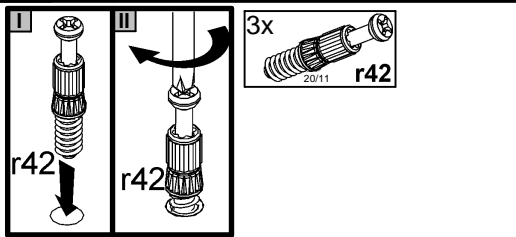
A

S248-LAW/4/13

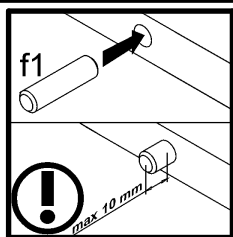
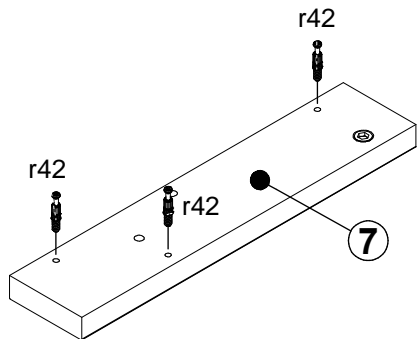
29D0--02

3 / 8

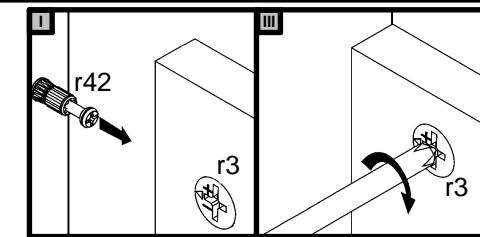
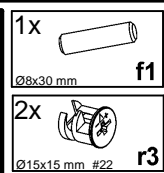
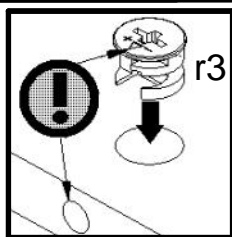
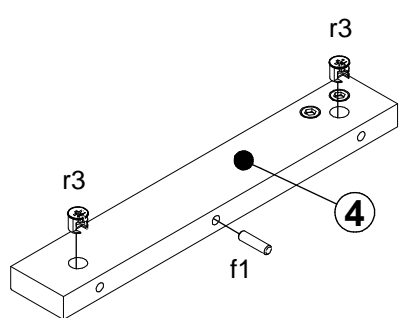




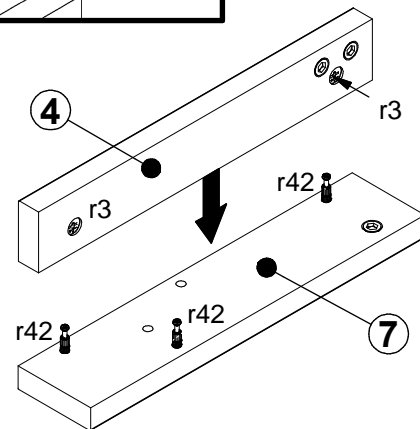
I



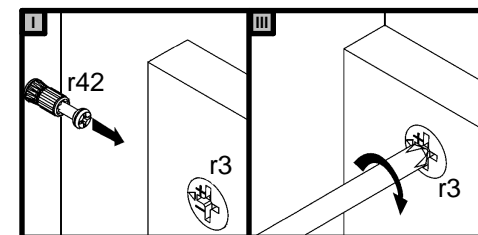
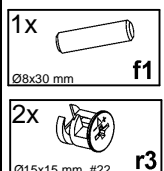
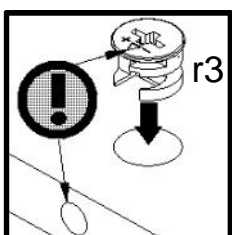
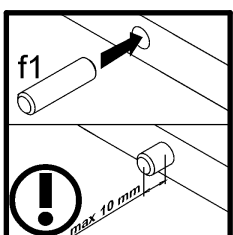
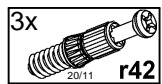
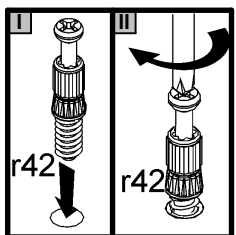
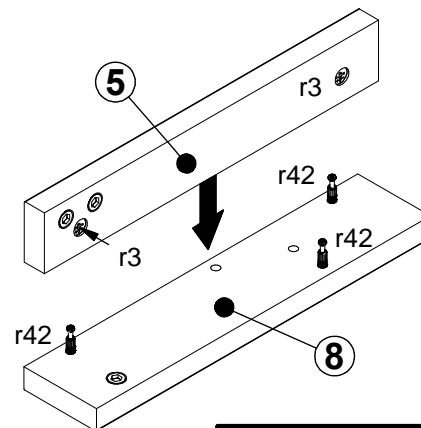
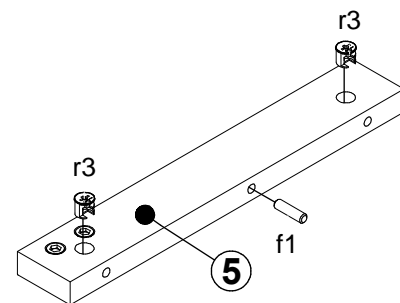
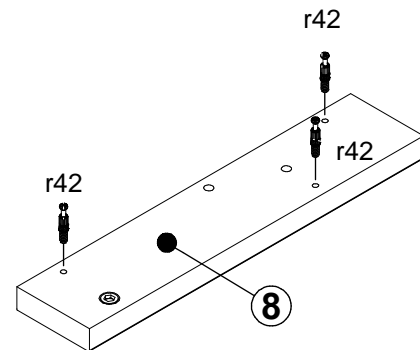
II

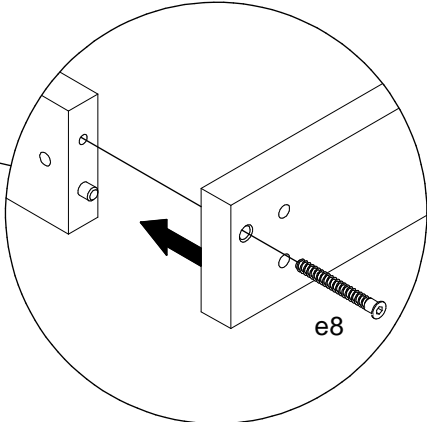
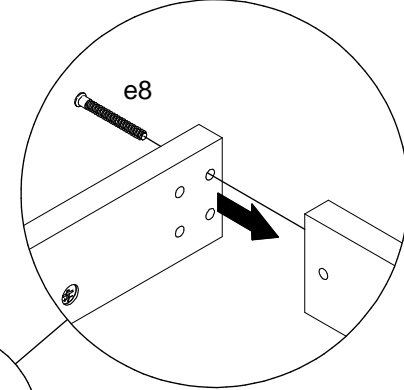
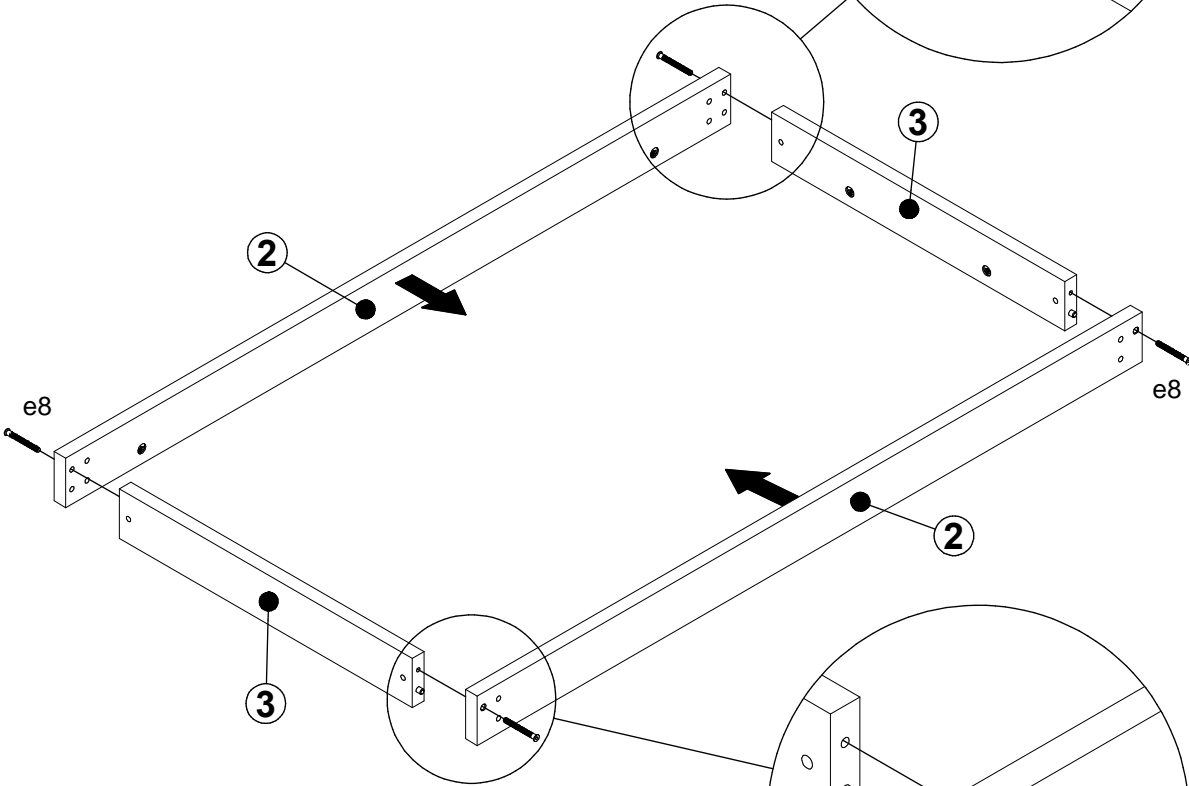
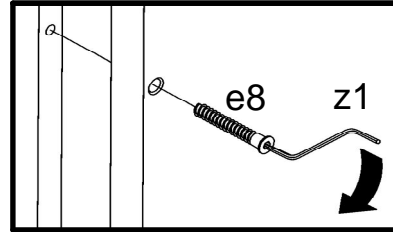
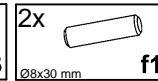
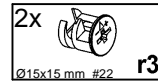
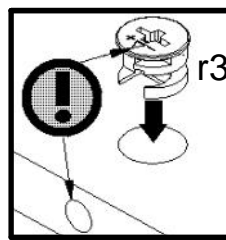
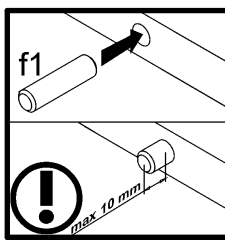
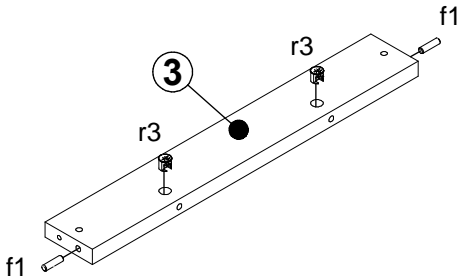
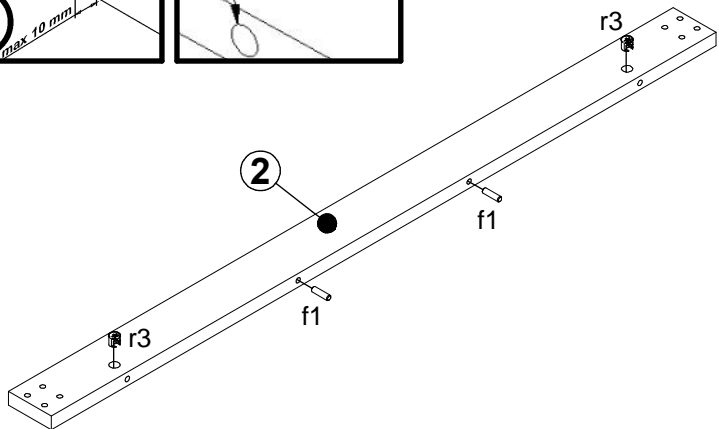
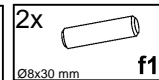
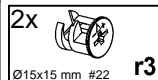
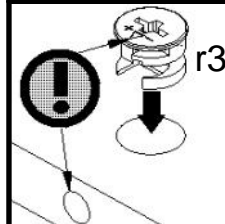
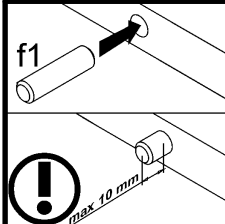


III

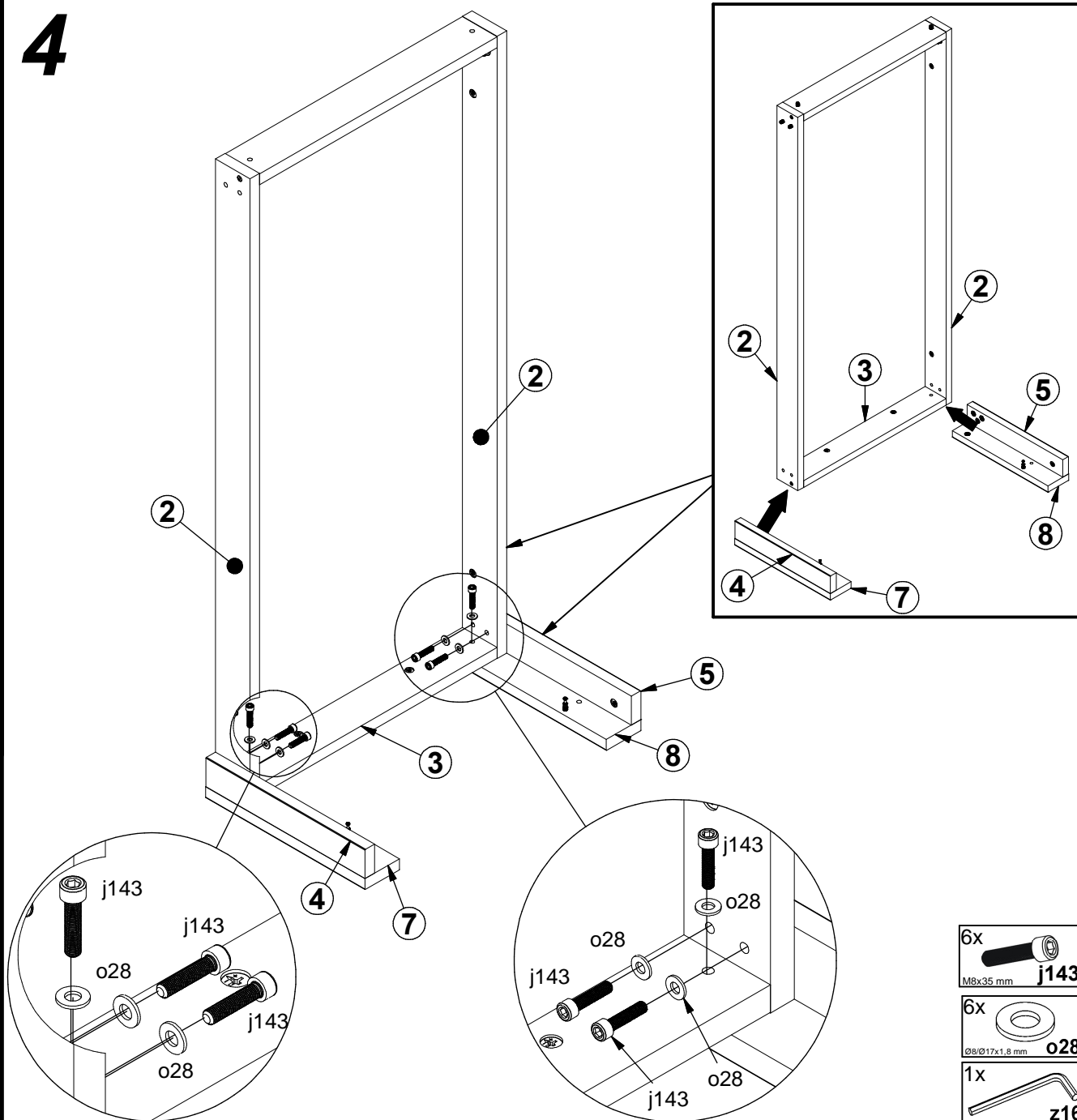


2 ⚠ \$6

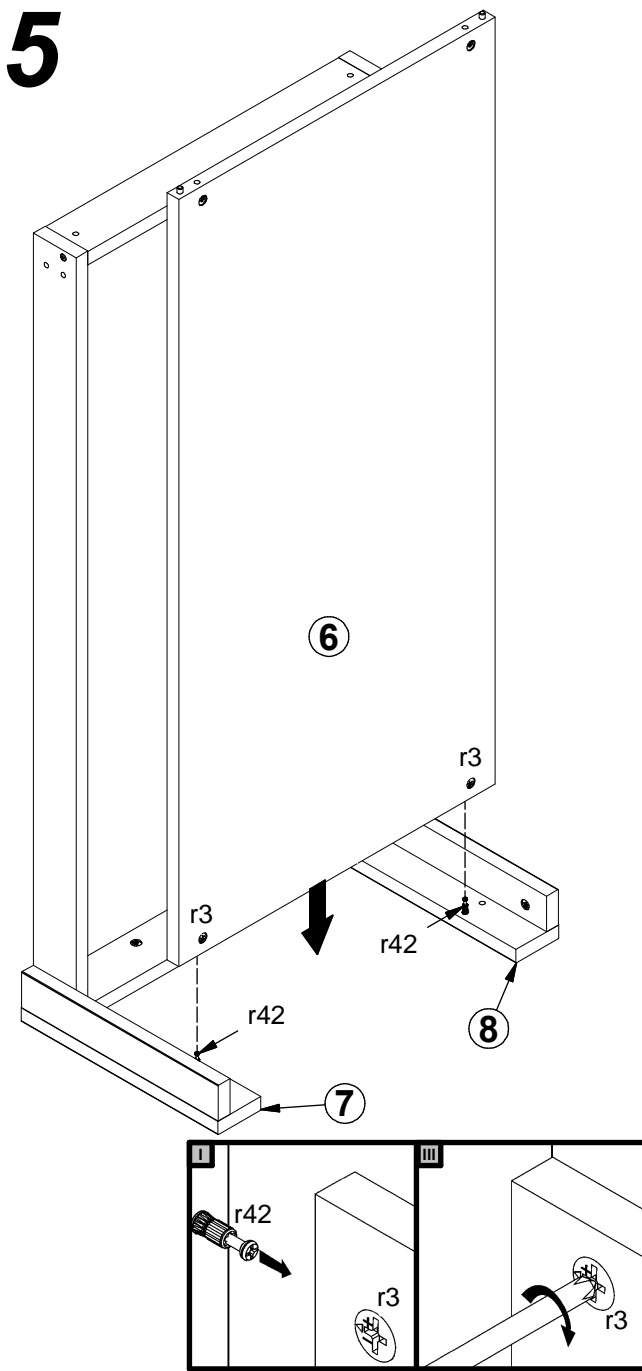




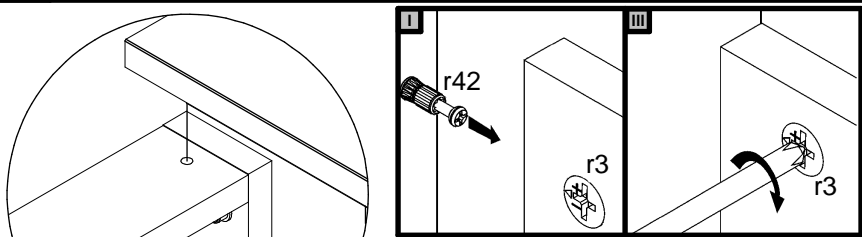
4



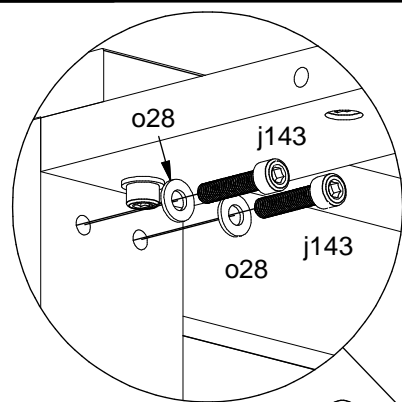
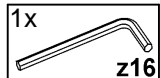
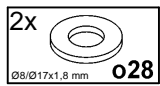
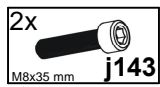
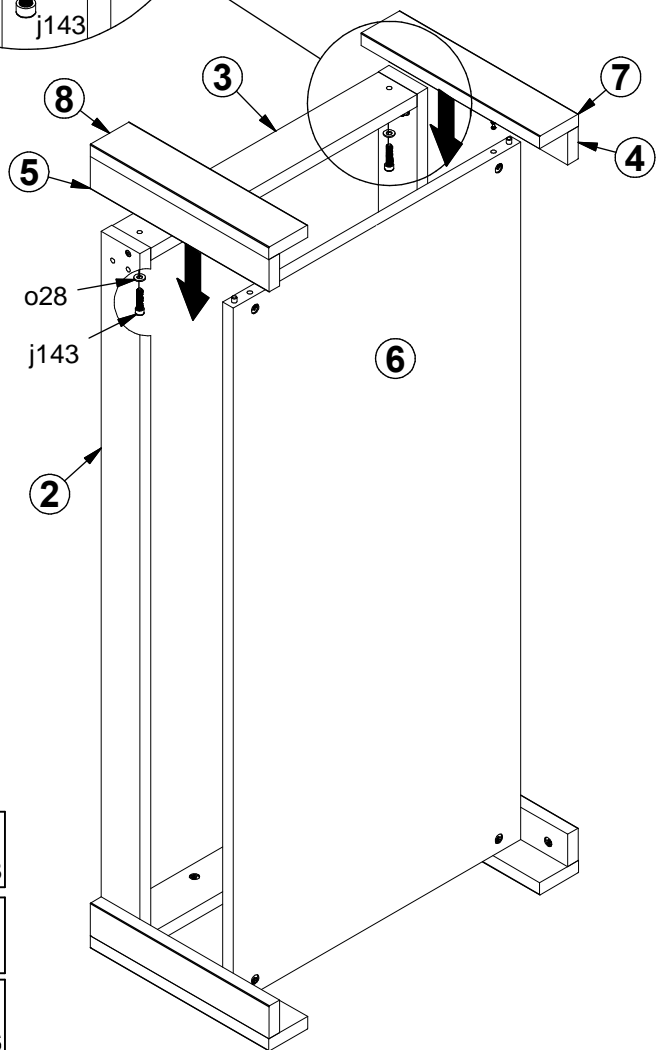
5



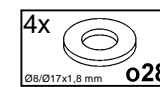
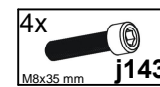
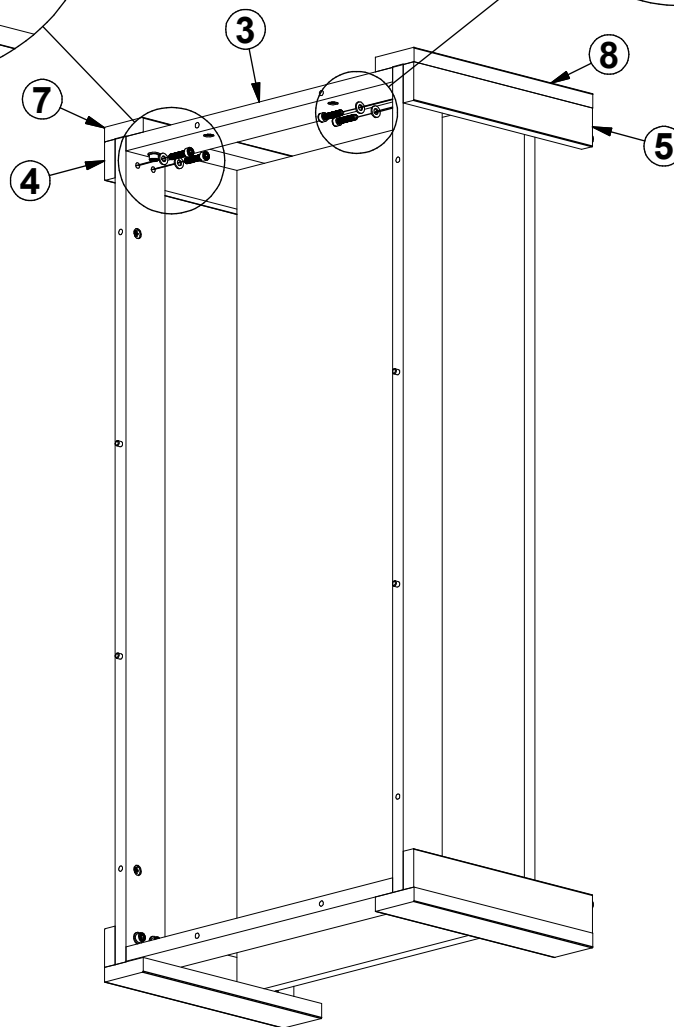
- 6x  **j143**  
M8x35 mm
- 6x  **o28**  
Ø8/Ø17x1.8 mm
- 1x  **z16**

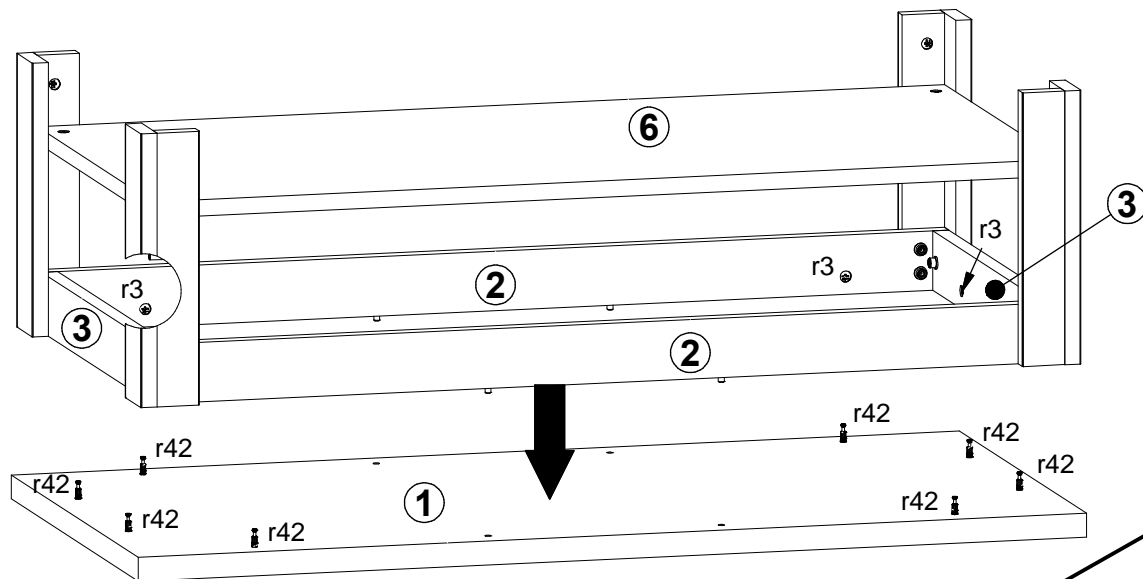


6

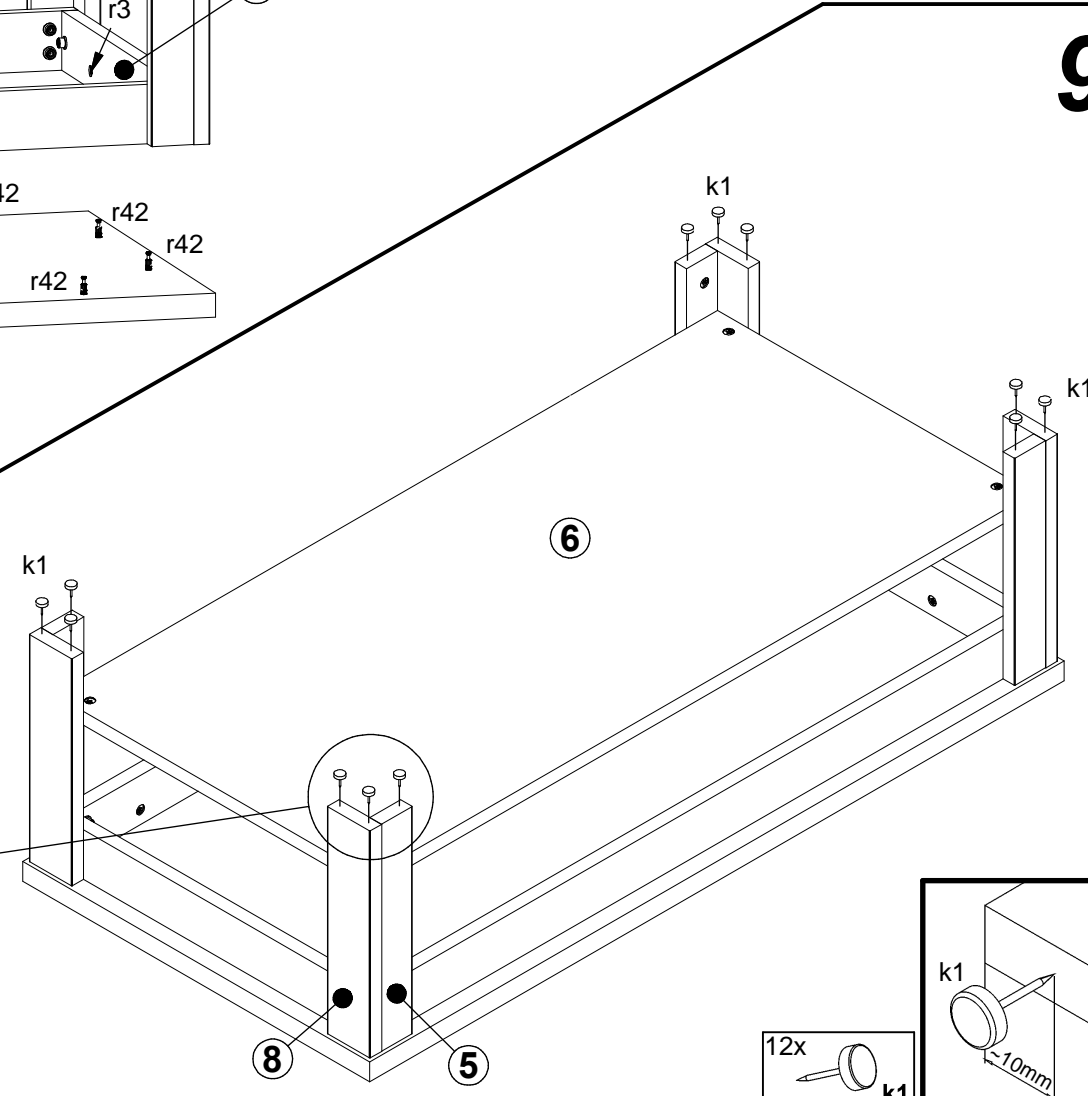
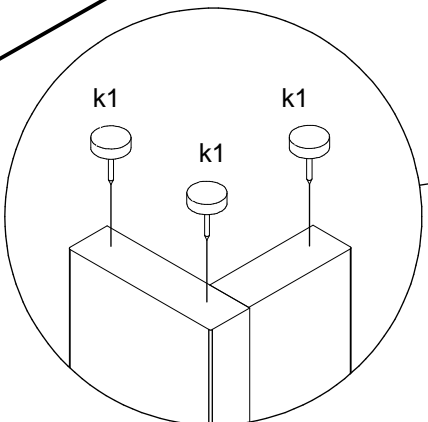
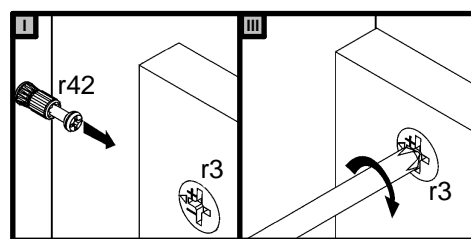


7





8



9

