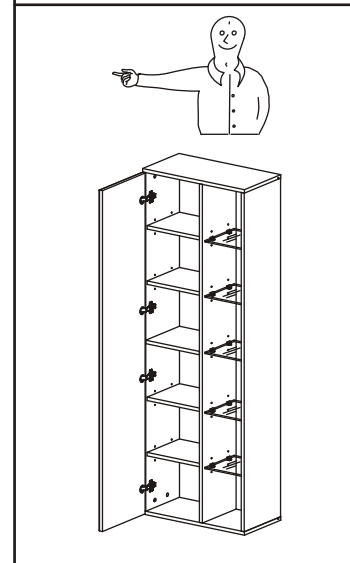
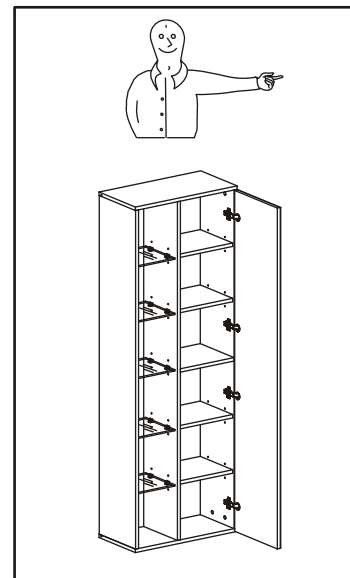
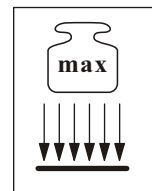
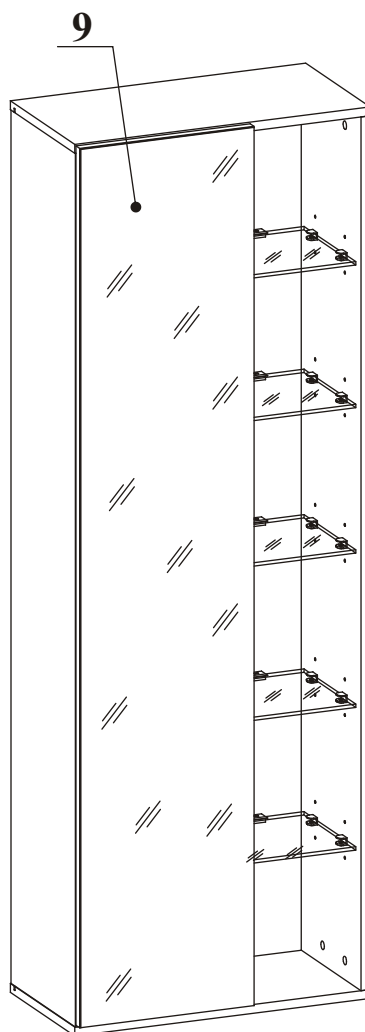
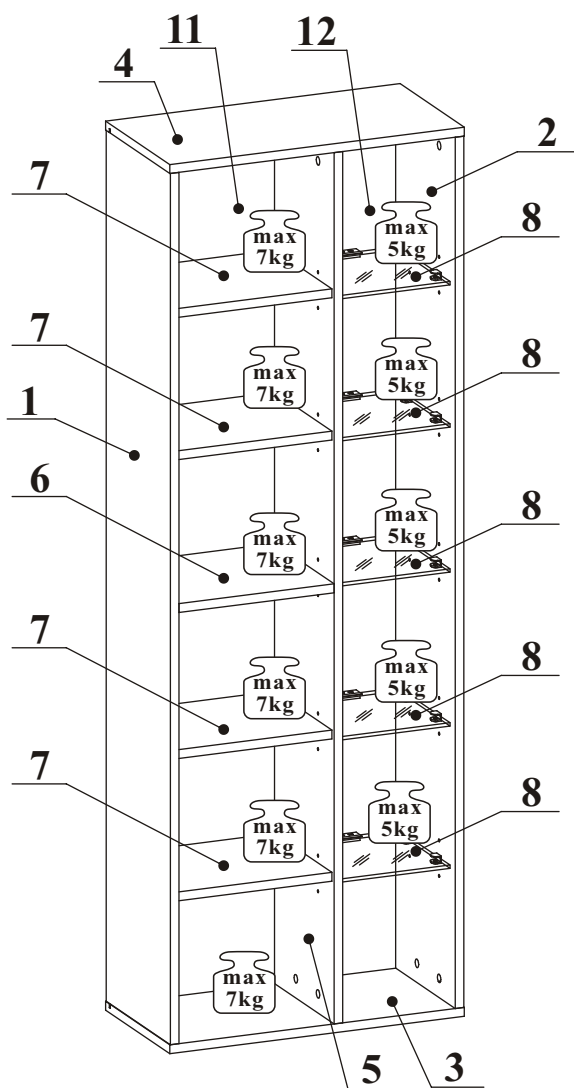
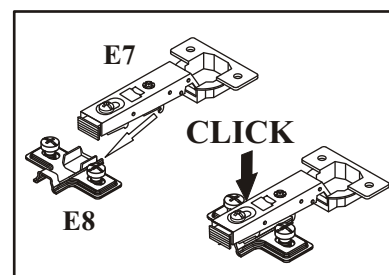
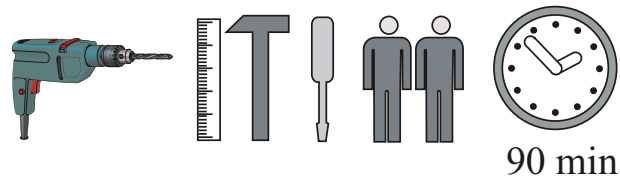
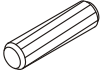
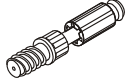


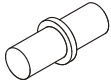

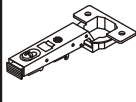


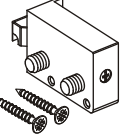
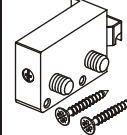
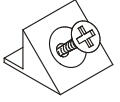



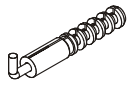
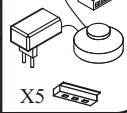





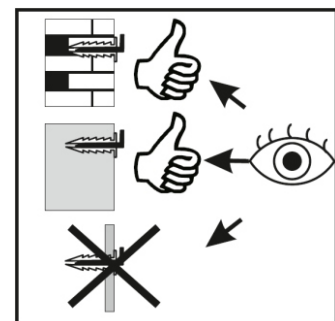
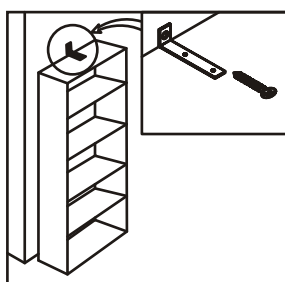
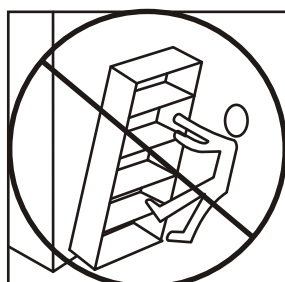
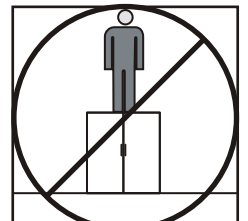
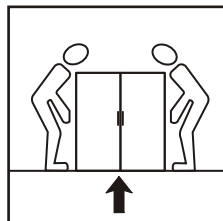
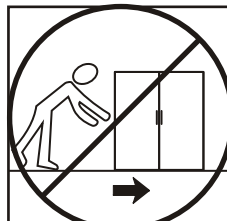
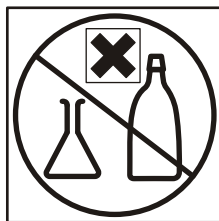
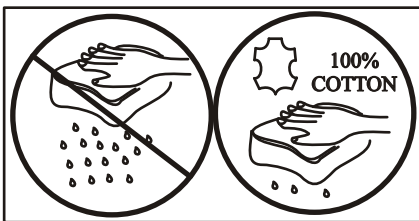
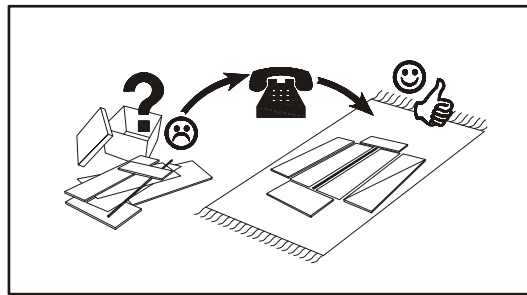
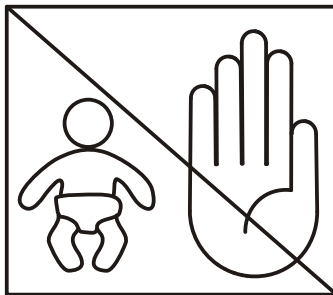
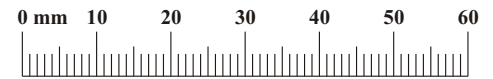
# BEST 71-308-\_\_-6

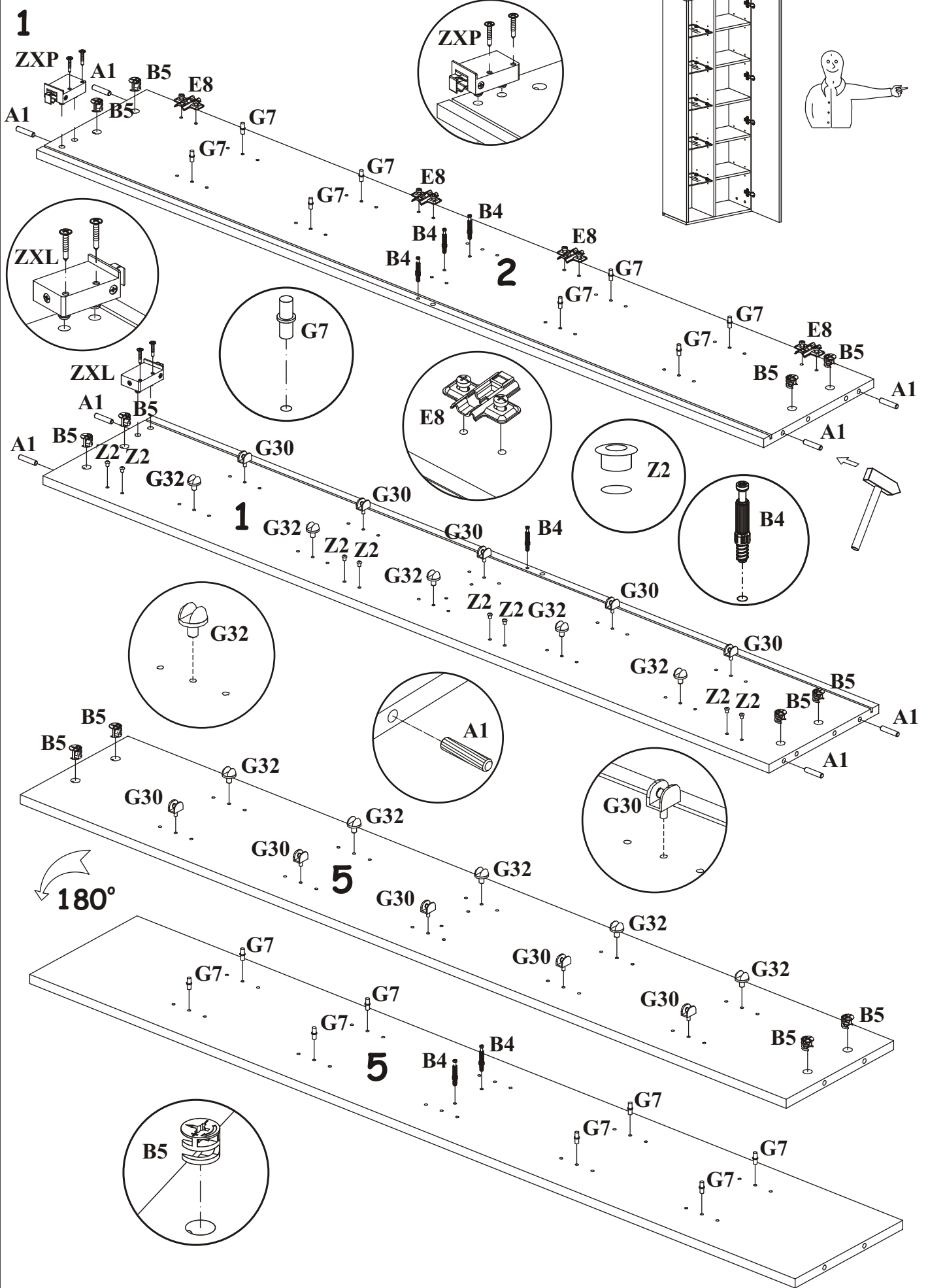


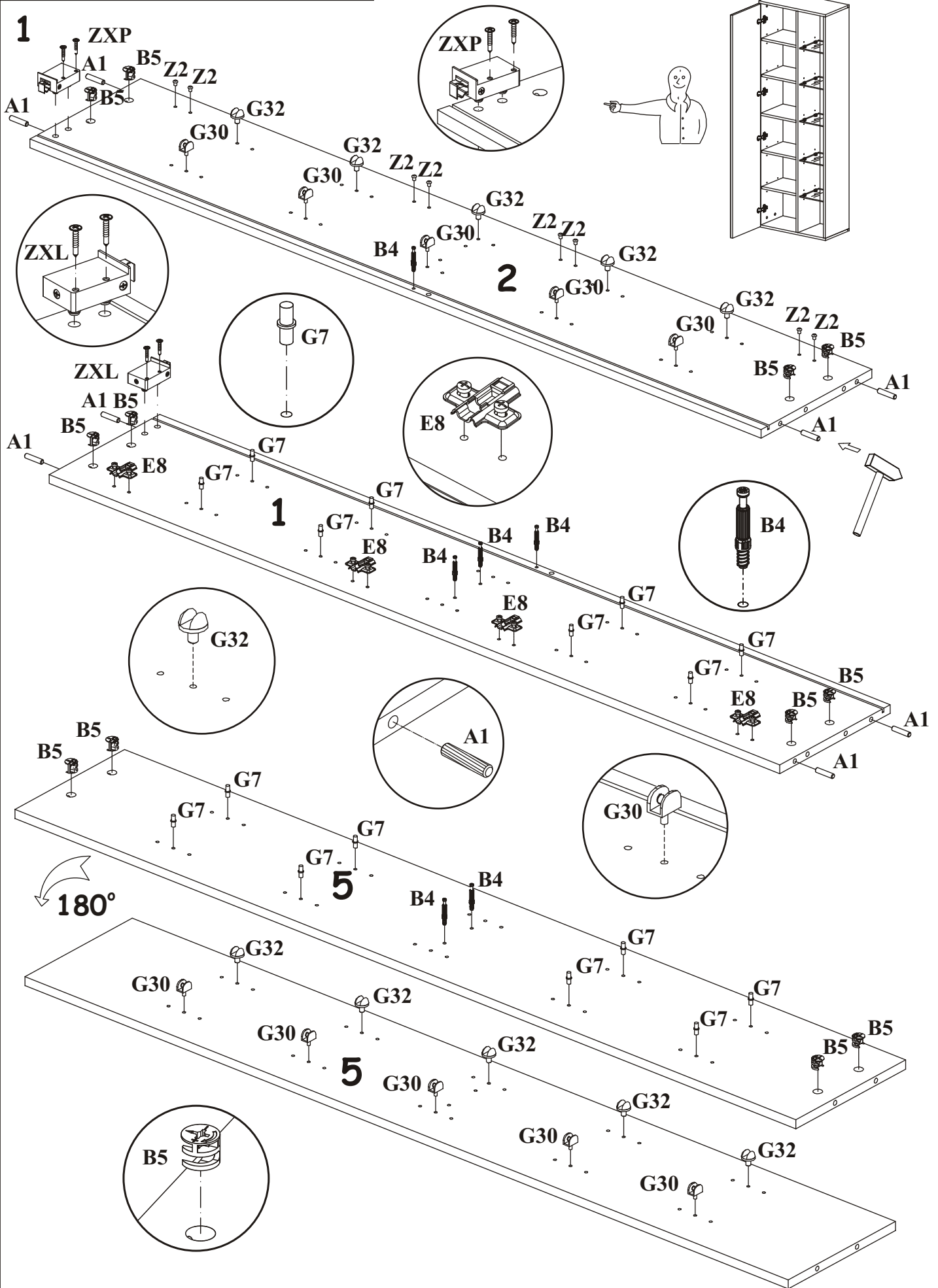
NO	Dim.		Col.-No	Qty
1	1568	278	1	1
2	1568	278	1	1
3	552	278	1	1
4	552	300	1	1
5	1568	258	1	1
6	291	258	1	1
7	291	248	1	4
8	204	223	1	5
9	326	1578	1	1
11	1580	304	1	1
12	1580	224	1	1
13	518	80	1	1



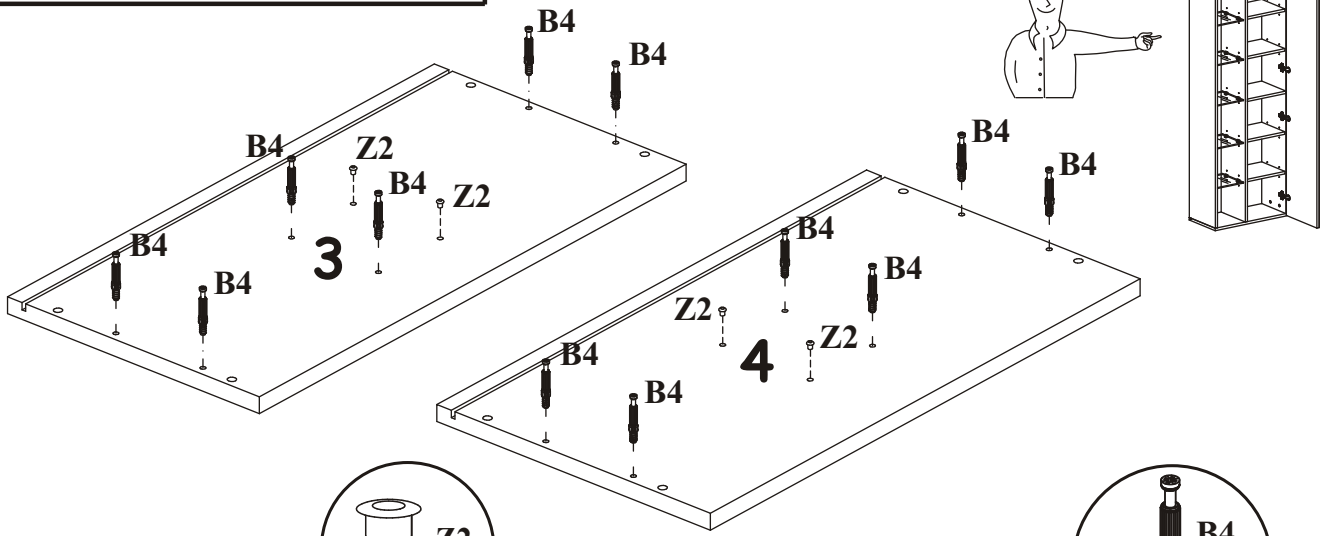
A1 x10  ø8x36	B4 x18 	B5 x18  ø15x12	G5 x18 	G7 x16 	G32 x10 
E7 x4 	E8 x4 H=0 	D10 x8  USØ3,5x13	ZXL x1 	ZXP x1 	S1 x14 
UP13 x10  UPØ3x16	KR1 x1 	G2 x1 	KR2 x2 	LED x1 x5 	G30 x10 
Z4 x4  ø8	Z2 x12  ø5				



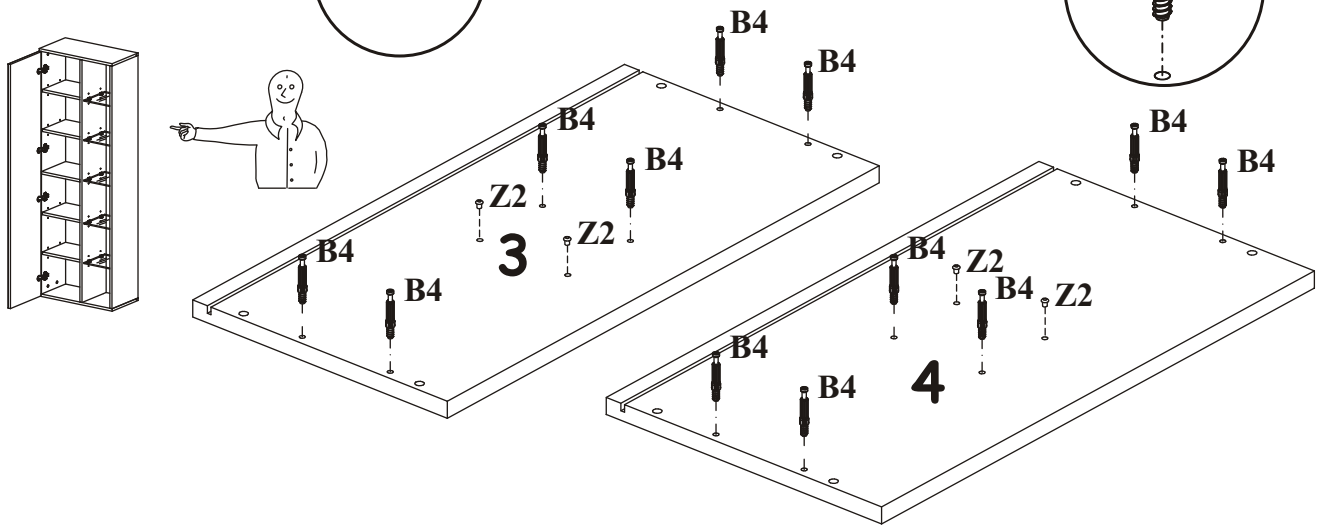




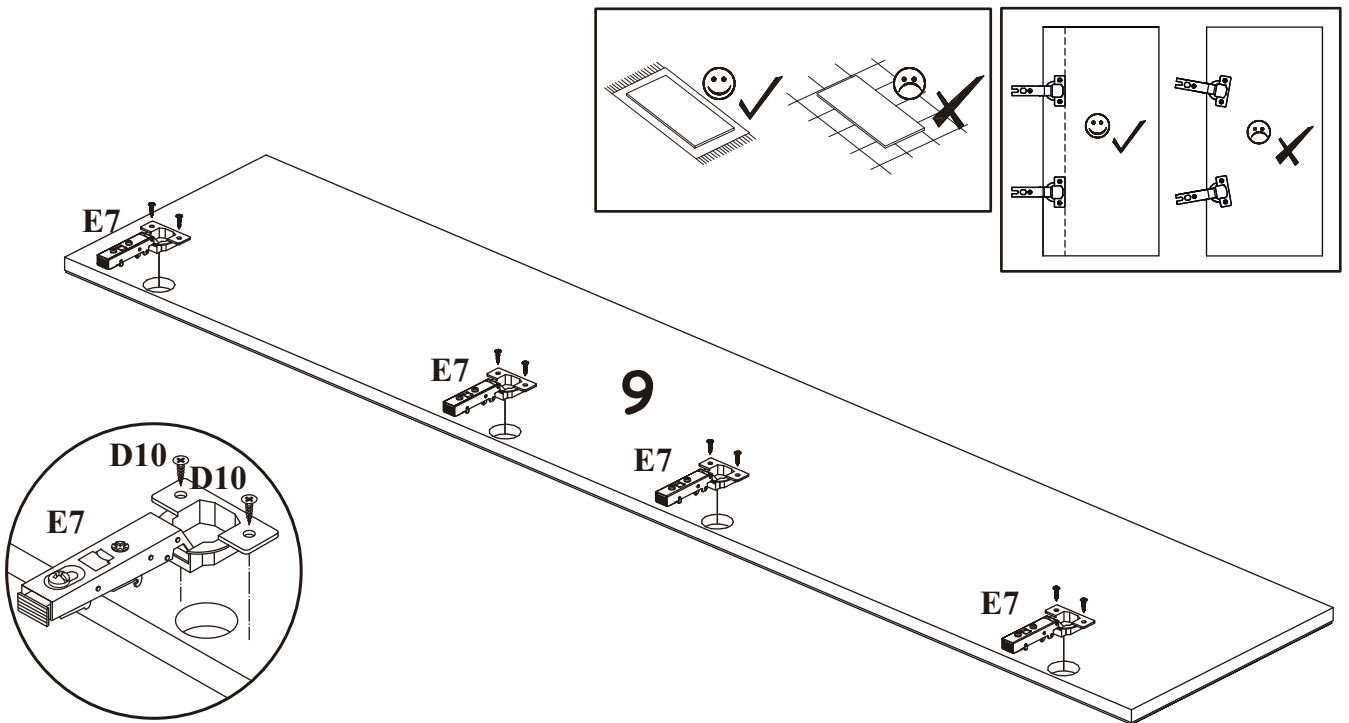
2



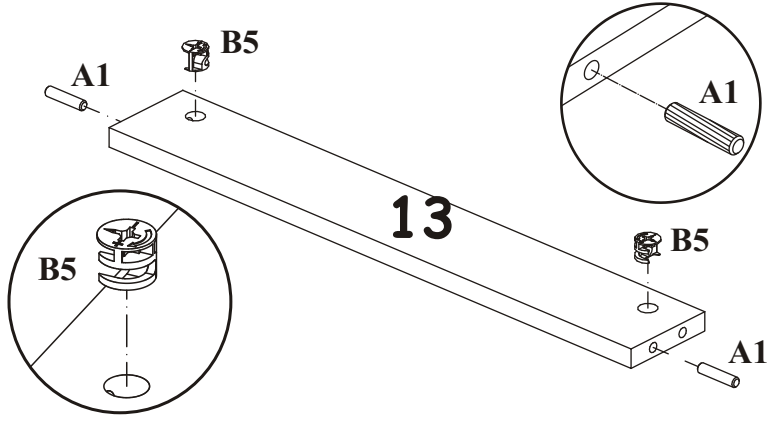
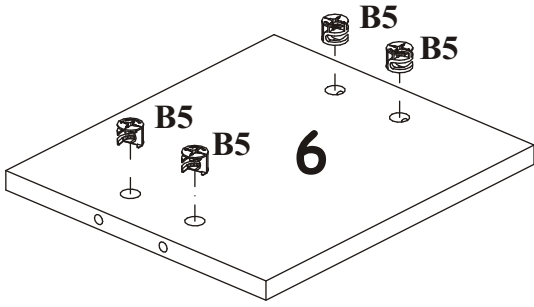
2



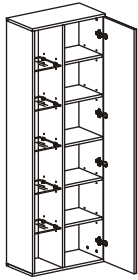
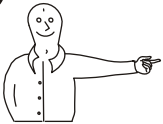
3



4

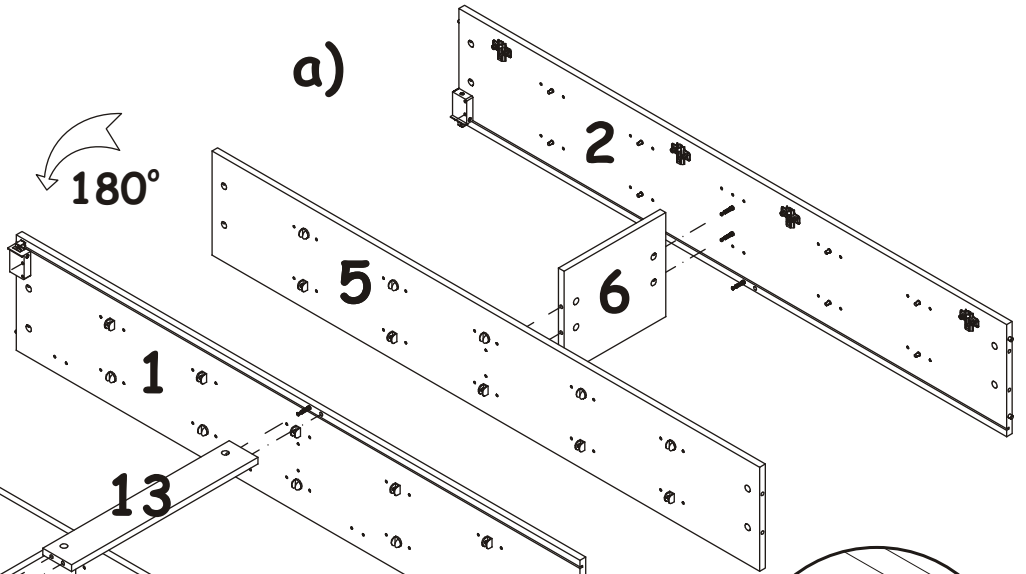


5

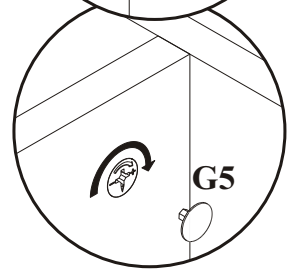
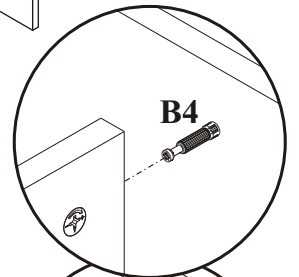
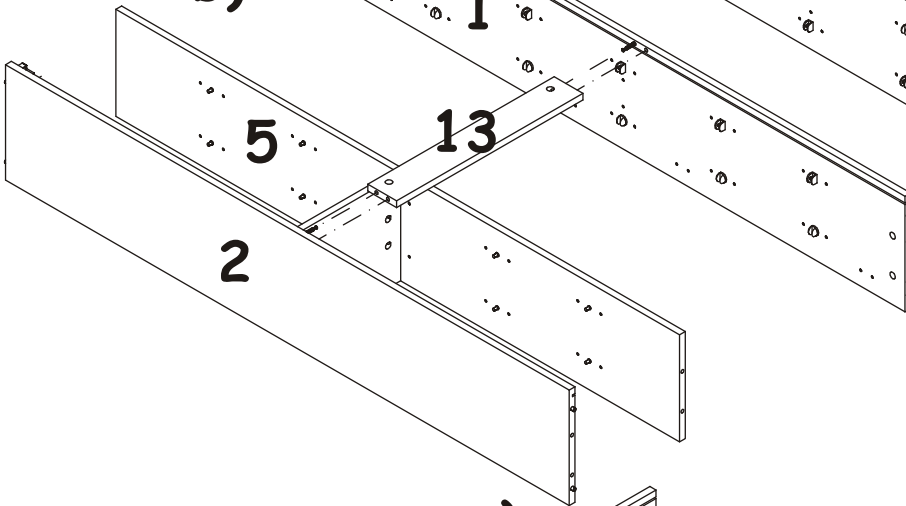


180°

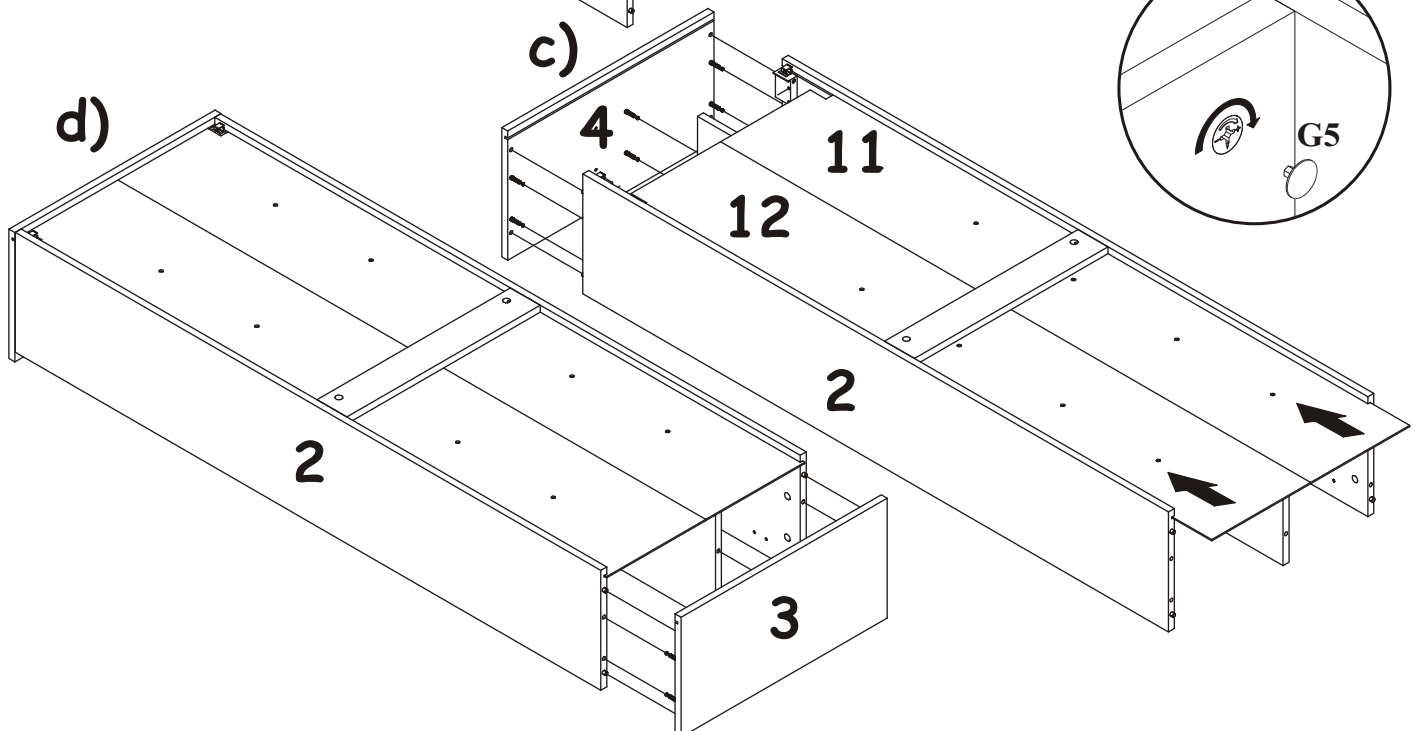
a)



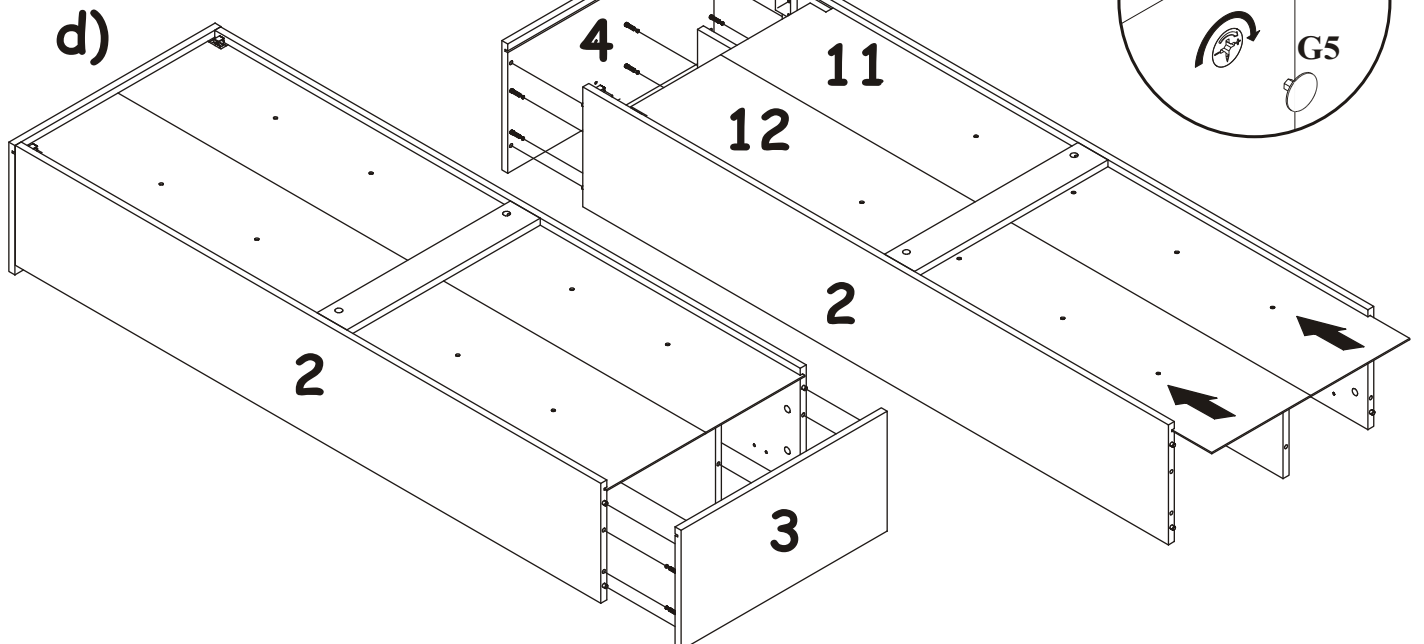
b)



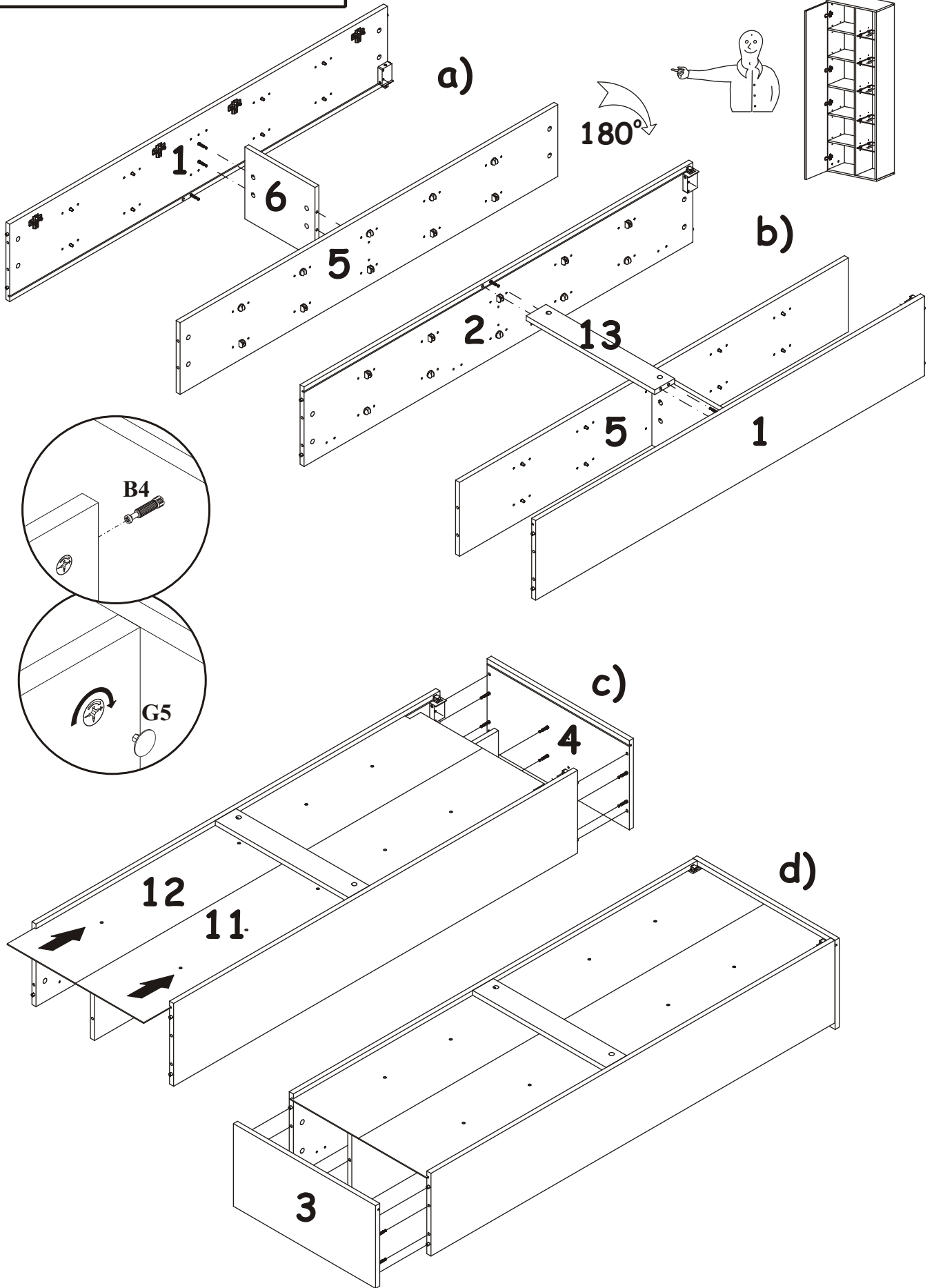
c)



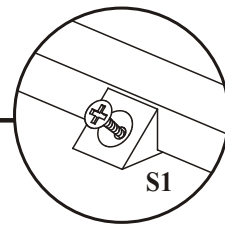
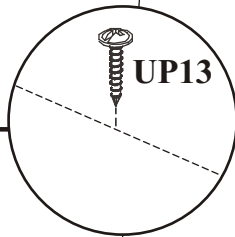
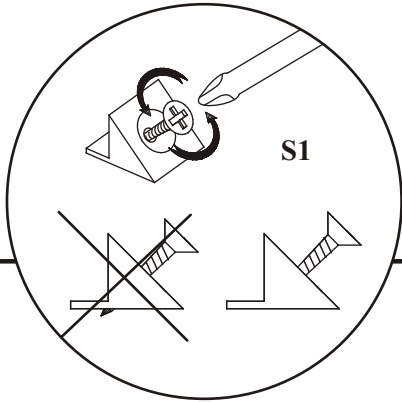
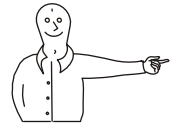
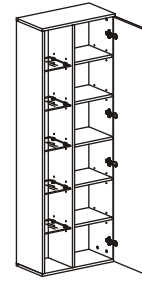
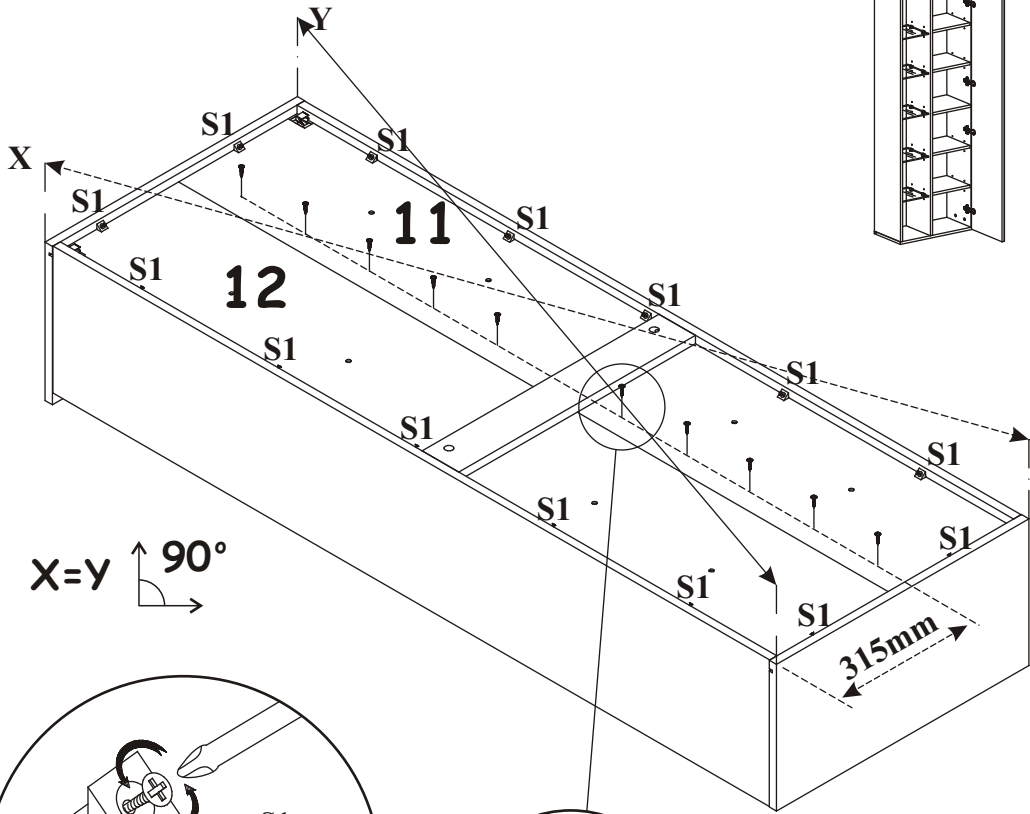
d)



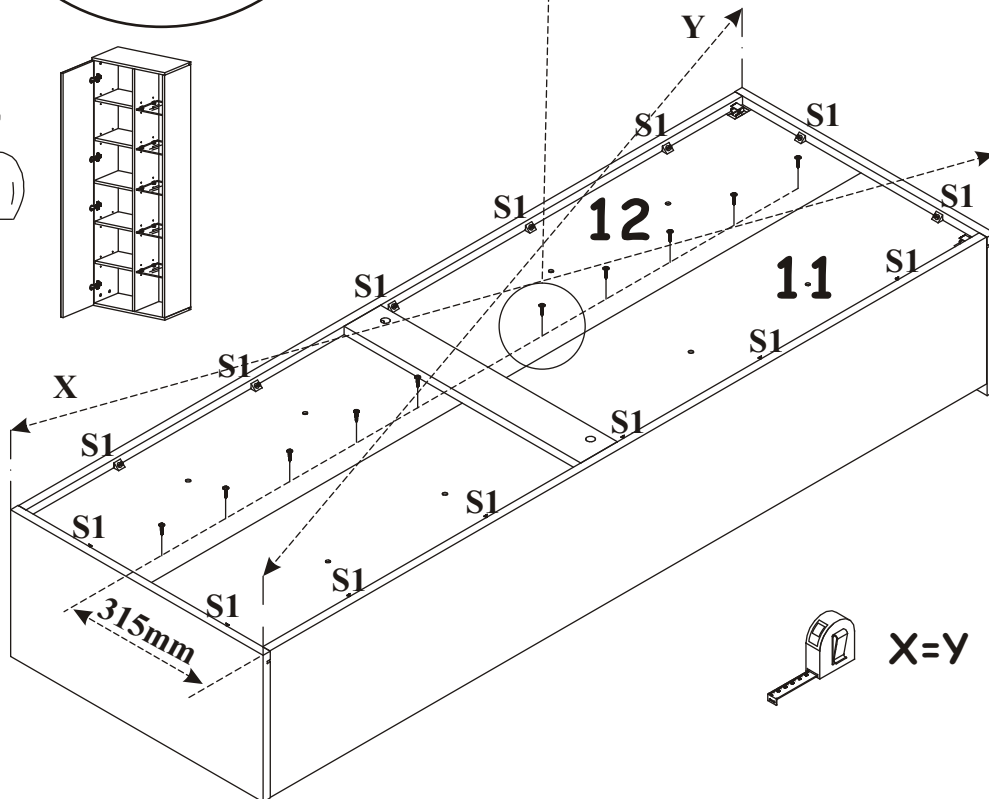
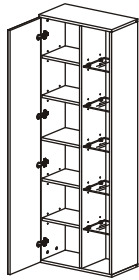
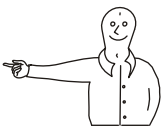
5



6

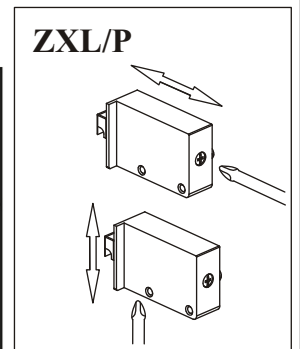
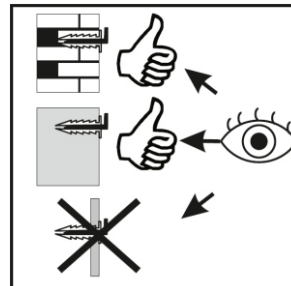
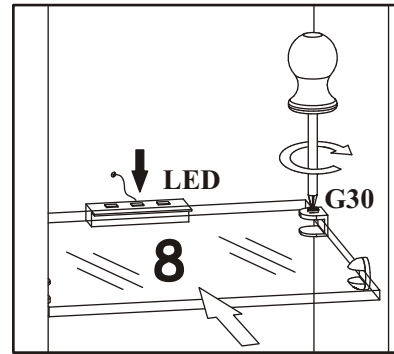
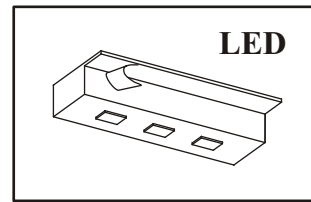
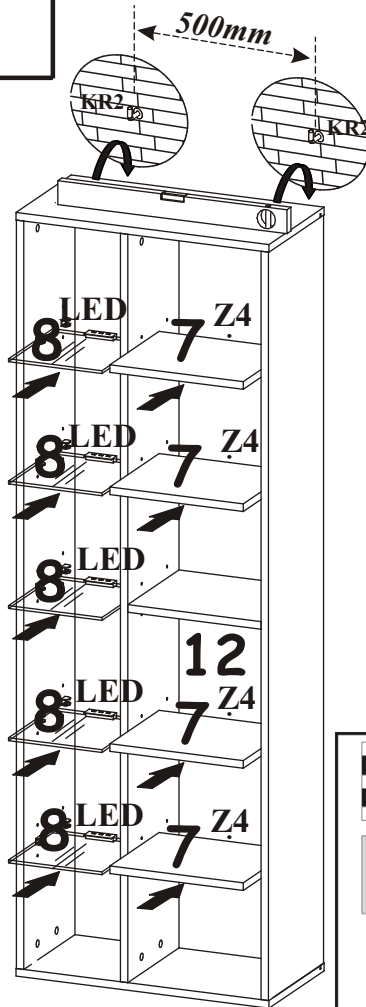
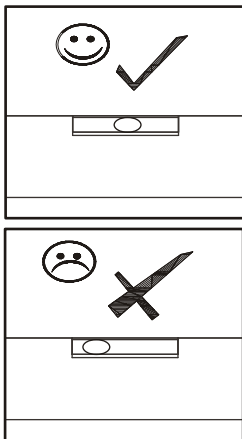
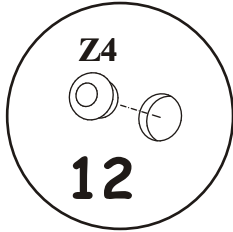
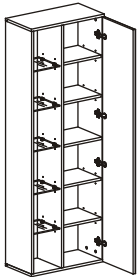
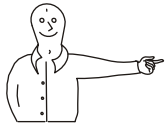


6

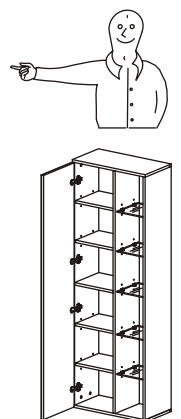
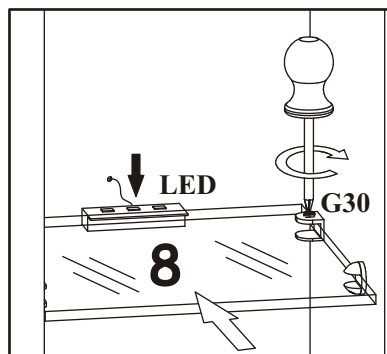
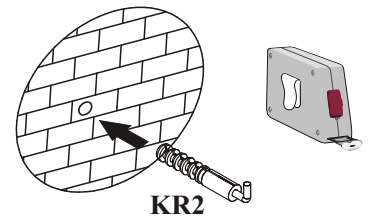
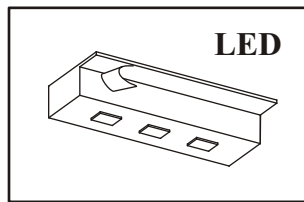
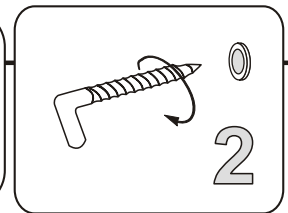
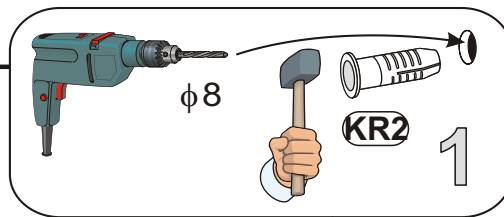
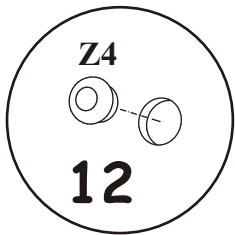
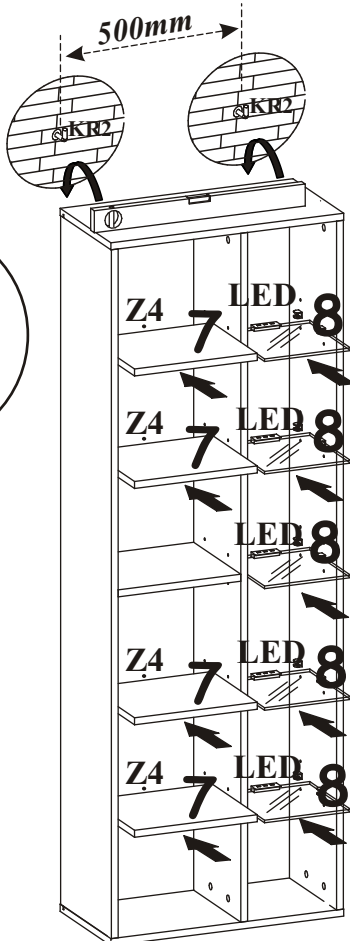




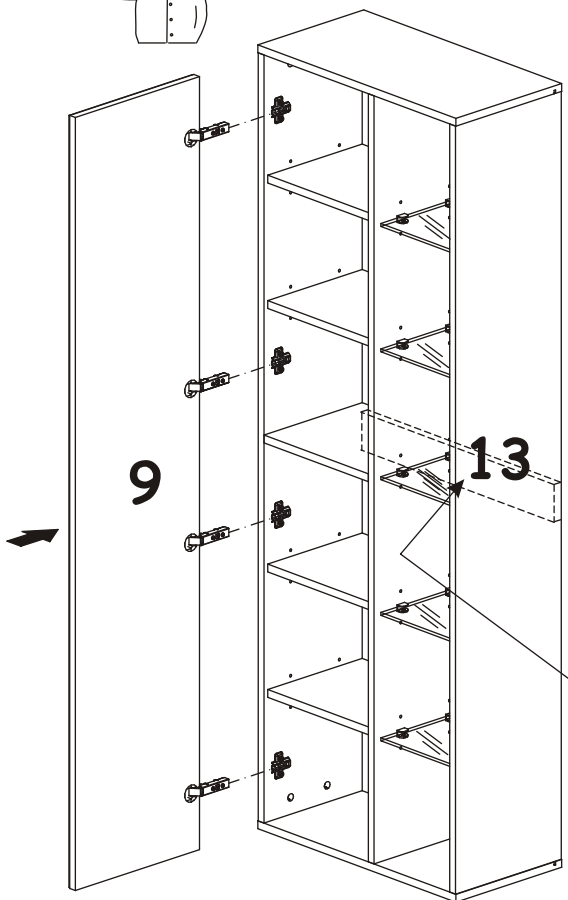
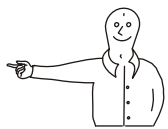
7



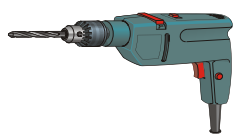
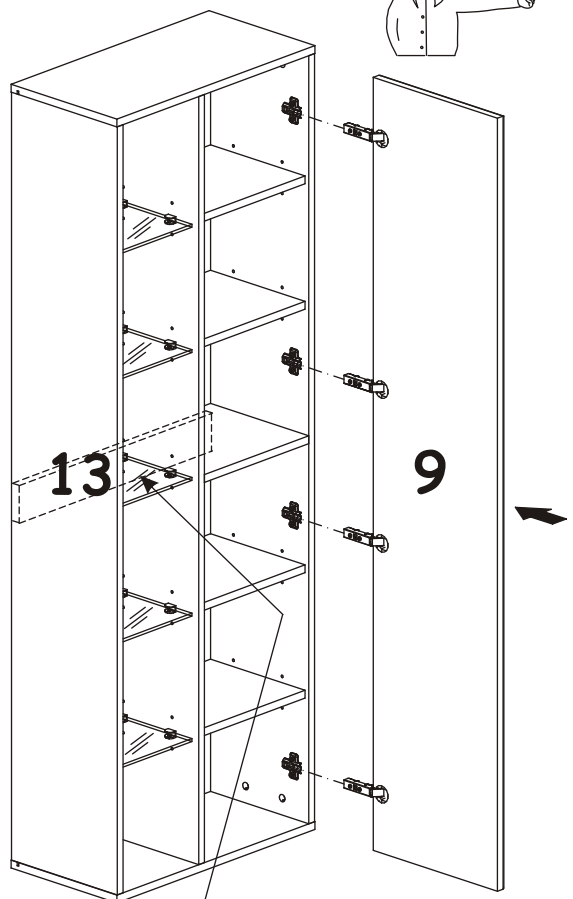
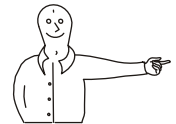
7



8



8



x1 KR1

