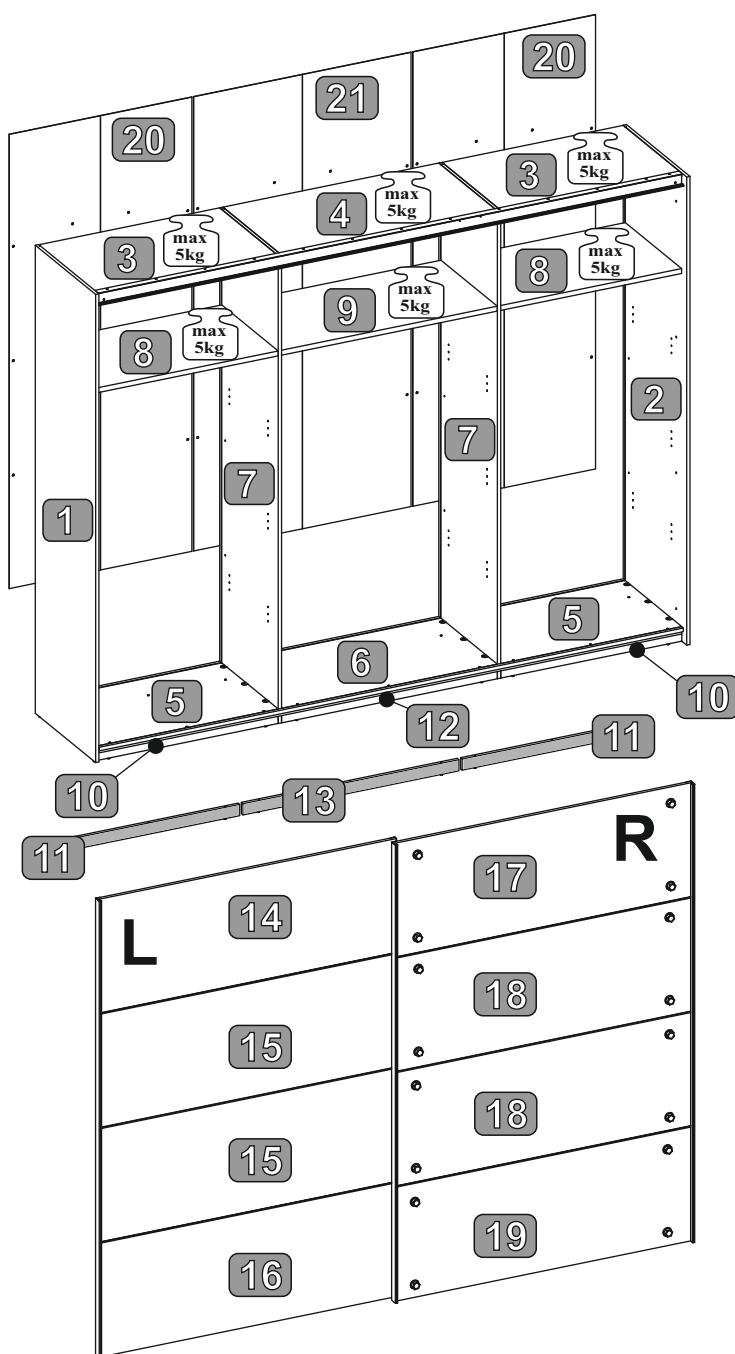
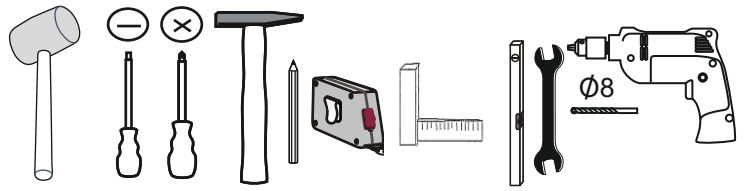
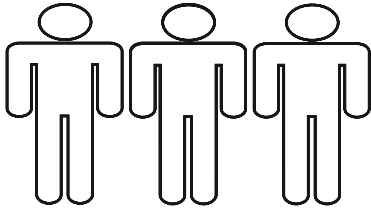





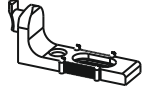





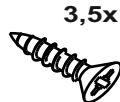


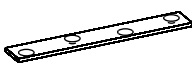
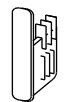
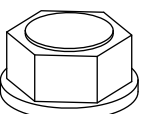
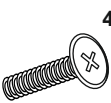
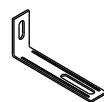




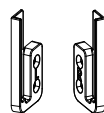
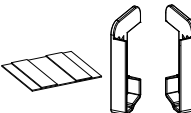
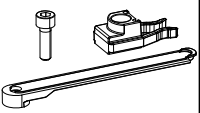
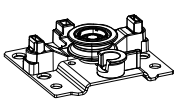
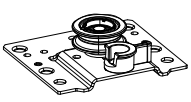
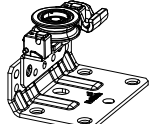
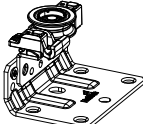
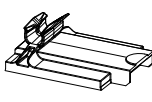
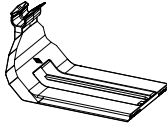



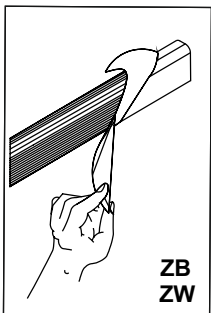
NR	DIM	QTE	COLLI
1	2095x551x15	1	3/7
2	2095x580x15	1	3/7
3	827x535x15	2	1/7
4	986x535x15	1	2/7
5	827x535x15	2	1/7
6	986x535x15	1	2/7
7	2094x535x15	2	4/7
8	827x515x22	2	1/7
9	986x515x22	1	2/7
10	827x50x15	2	2/7
11	827x50x15	2	2/7

NR	DIM	QTE	COLLI
12	986x50x15	1	2/7
13	986x50x15	1	2/7
14	1365x512,5x15	1	5/7
15	1365x512,5x15	2	5/7
16	1365x512,5x15	1	5/7
17	1365x512,5x15	1	6/7
18	1365x512,5x15	2	6/7
19	1365x512,5x15	1	6/7
20	2033x834x2	2	4/7
21	2033x993x2	1	3/7





 48x T05	 48x T04	 1x K02	 18x W16	 18x C02	 24x R02	 24x W20
 20x S01	 6x E03	 1x J01	 2x J02	 194x W02	 24x W12	 13x W05
 24x W08	 6x ZA2	 16x APS	 16x Y03	 2x P01	 4x W07	 2x F01
 2x F11	 1x K03	 1x A08  1x A09  2x A10				
 1x A01	 1x A02	 1x A03	 1x A04	 2x A05	 2x A06	 4x A07



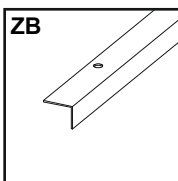
ZB
ZW

ZB

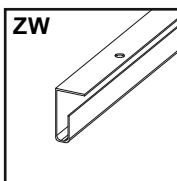
ZW

SU

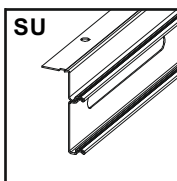
SD



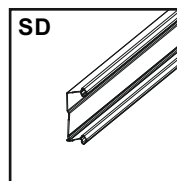
ZB



ZW



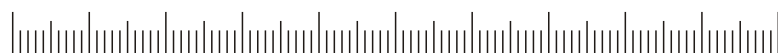
SU

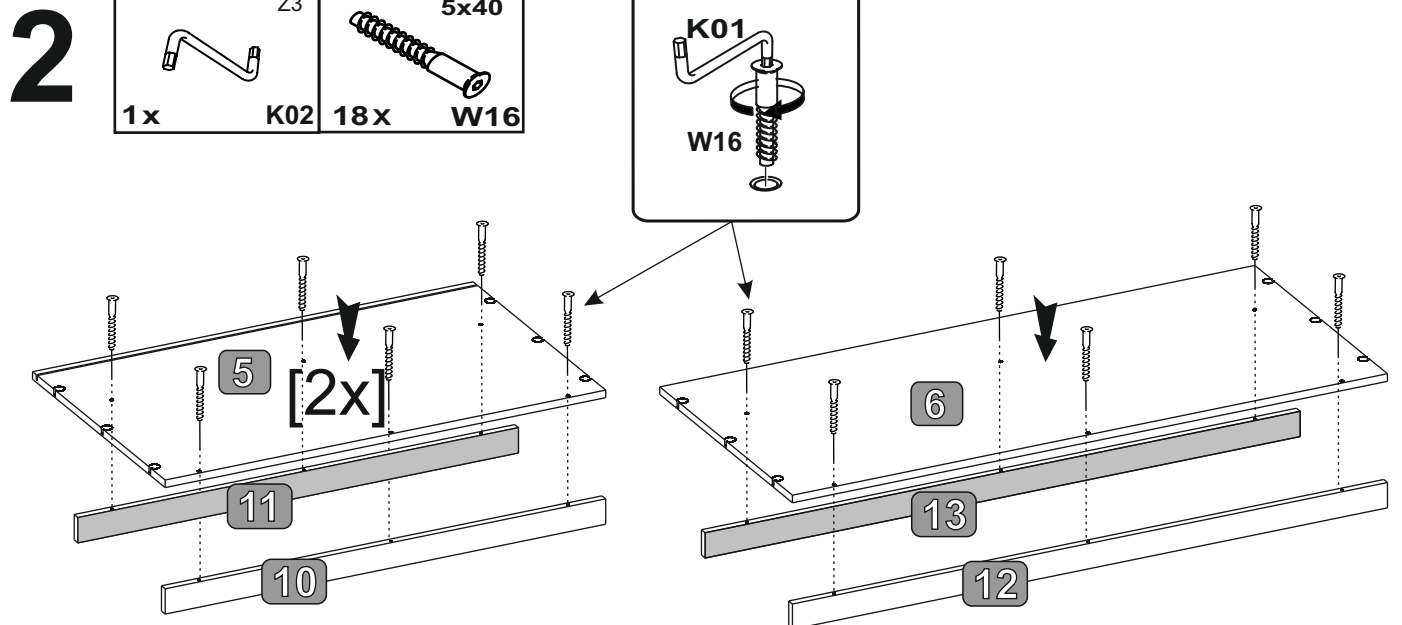
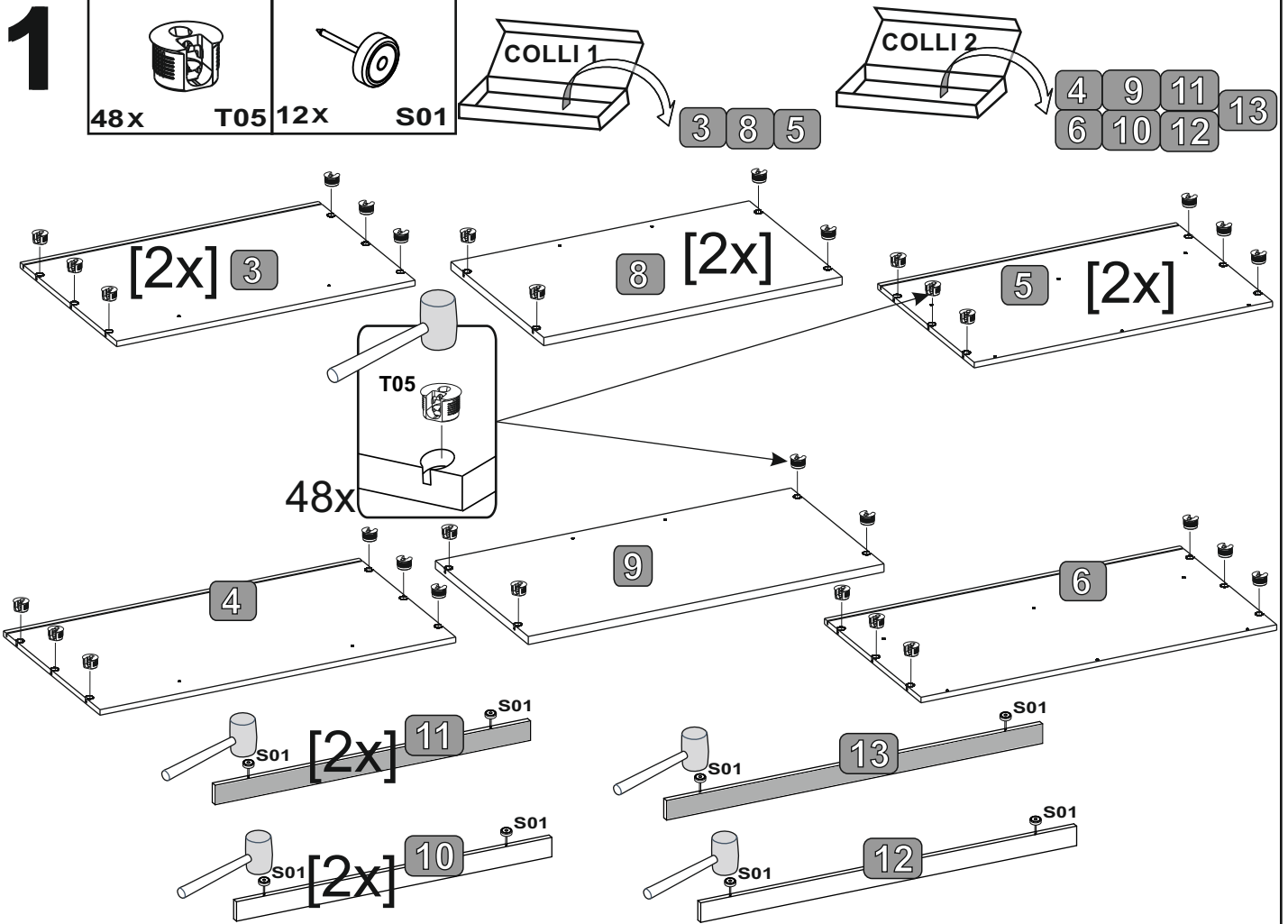


SD

NR	DIM	QTE	COLLI
ZB	L-2050	1	7/7
ZW	L-2050 H-37	3	7/7
SU	L-2668	1	7/7
SD	L-2664	1	7/7

0 10 20 30 40 50 60 70 80 90 100





3



6x

E03



48x

T04

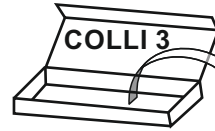


8x

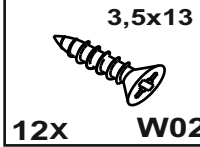
S01



7 8
20

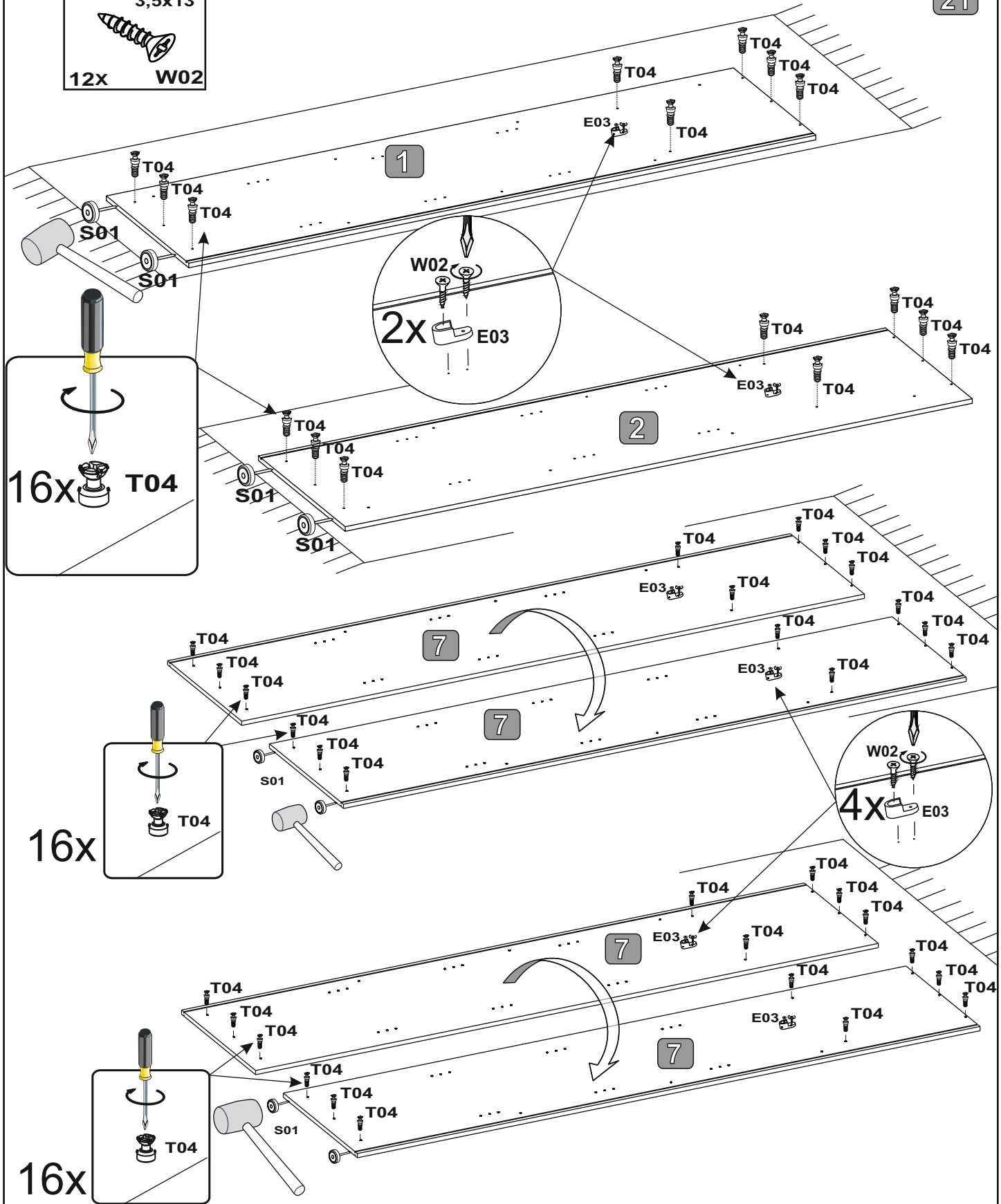


1 2
21

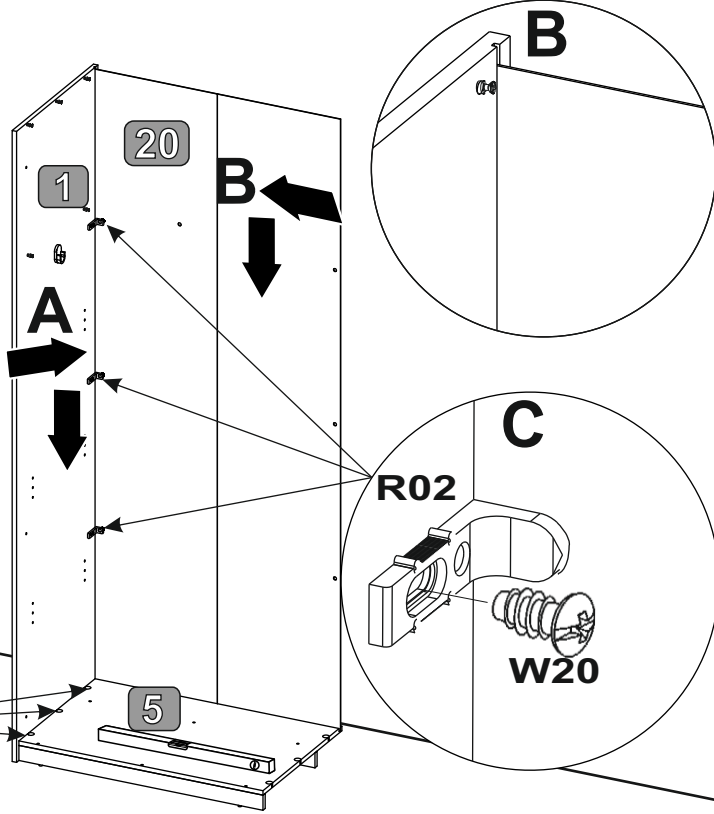
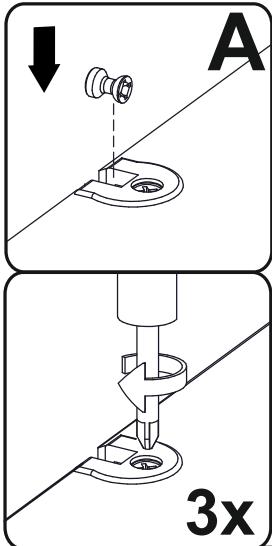
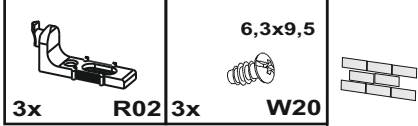


12x

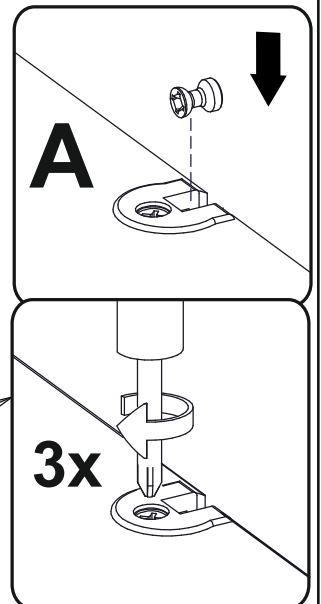
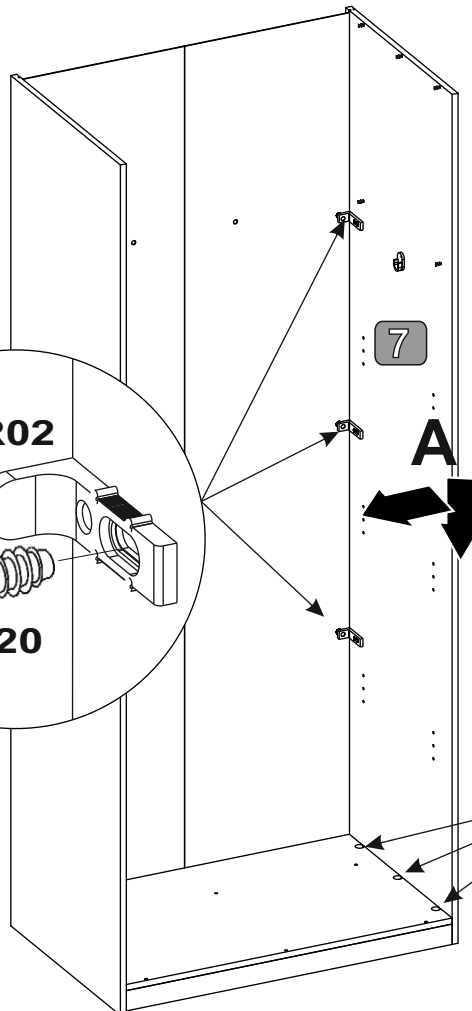
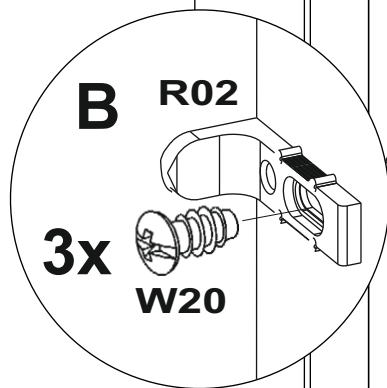
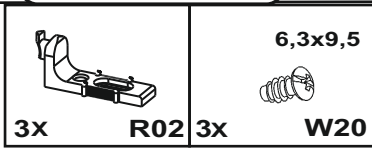
W02



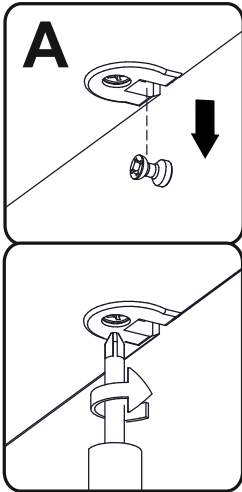
4



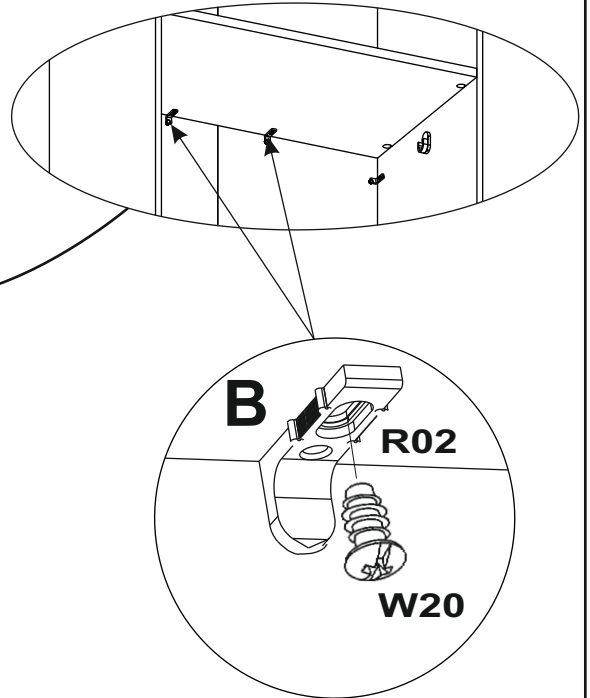
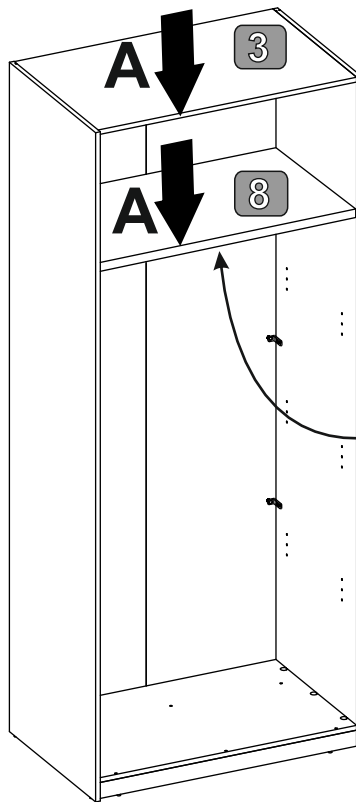
5



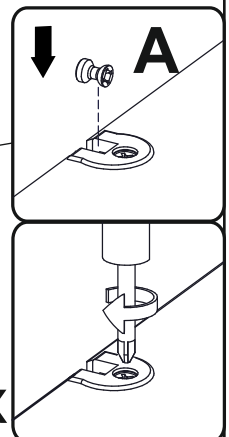
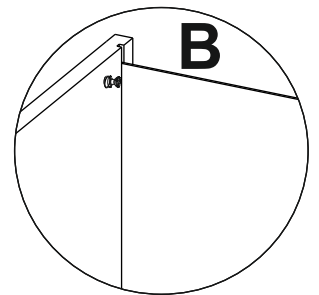
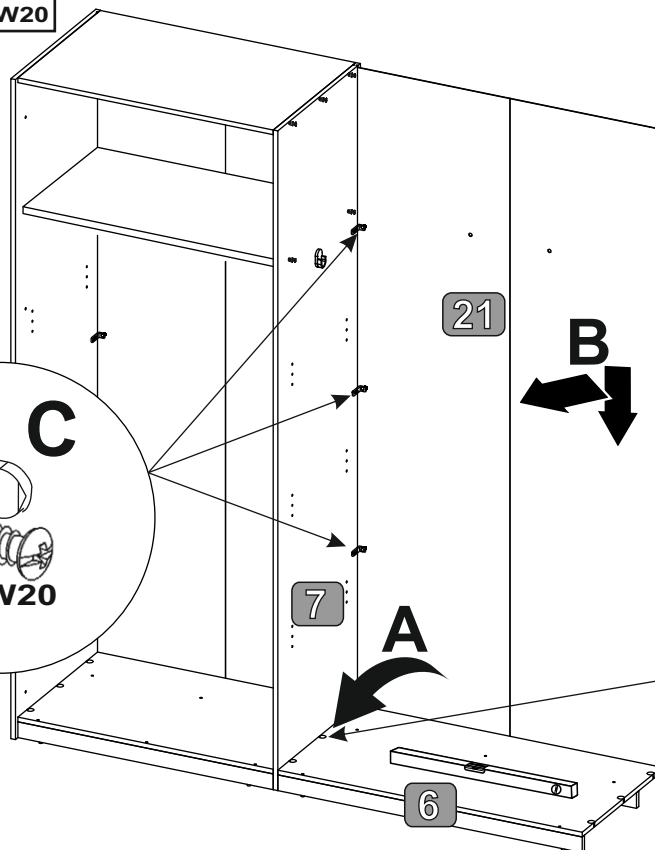
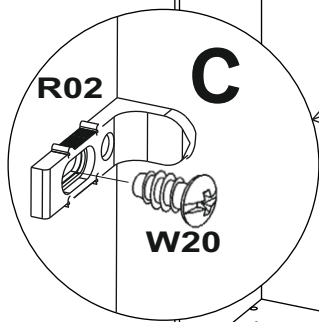
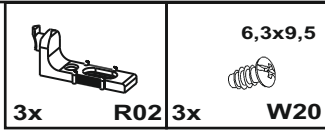
6



10x

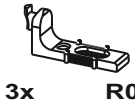


7



3x

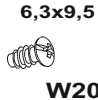
8



3x

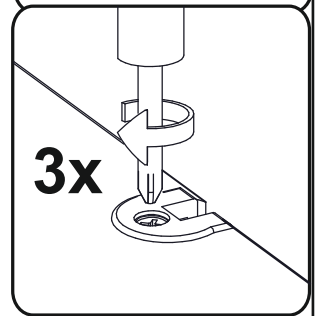
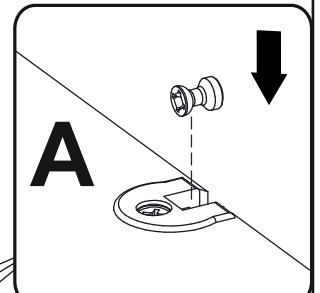
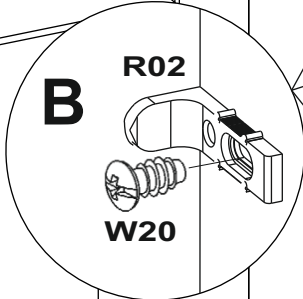
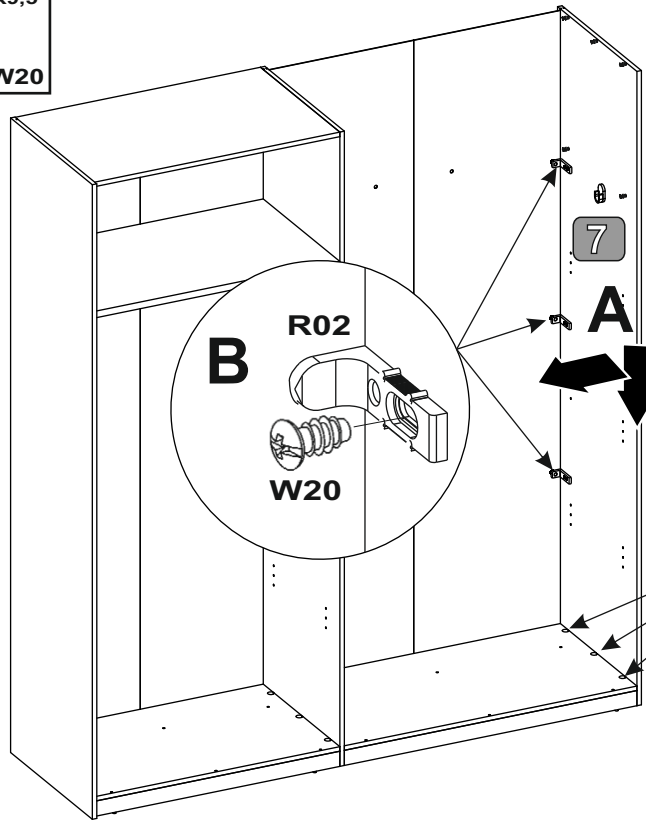
R02

3x



6,3x9,5

W20



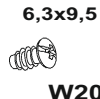
9



2x

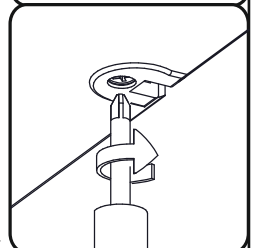
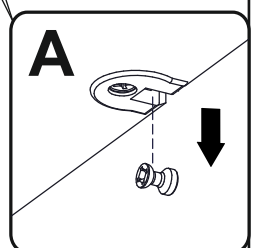
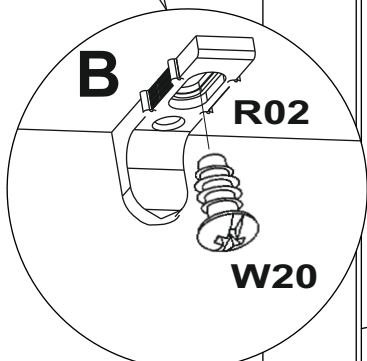
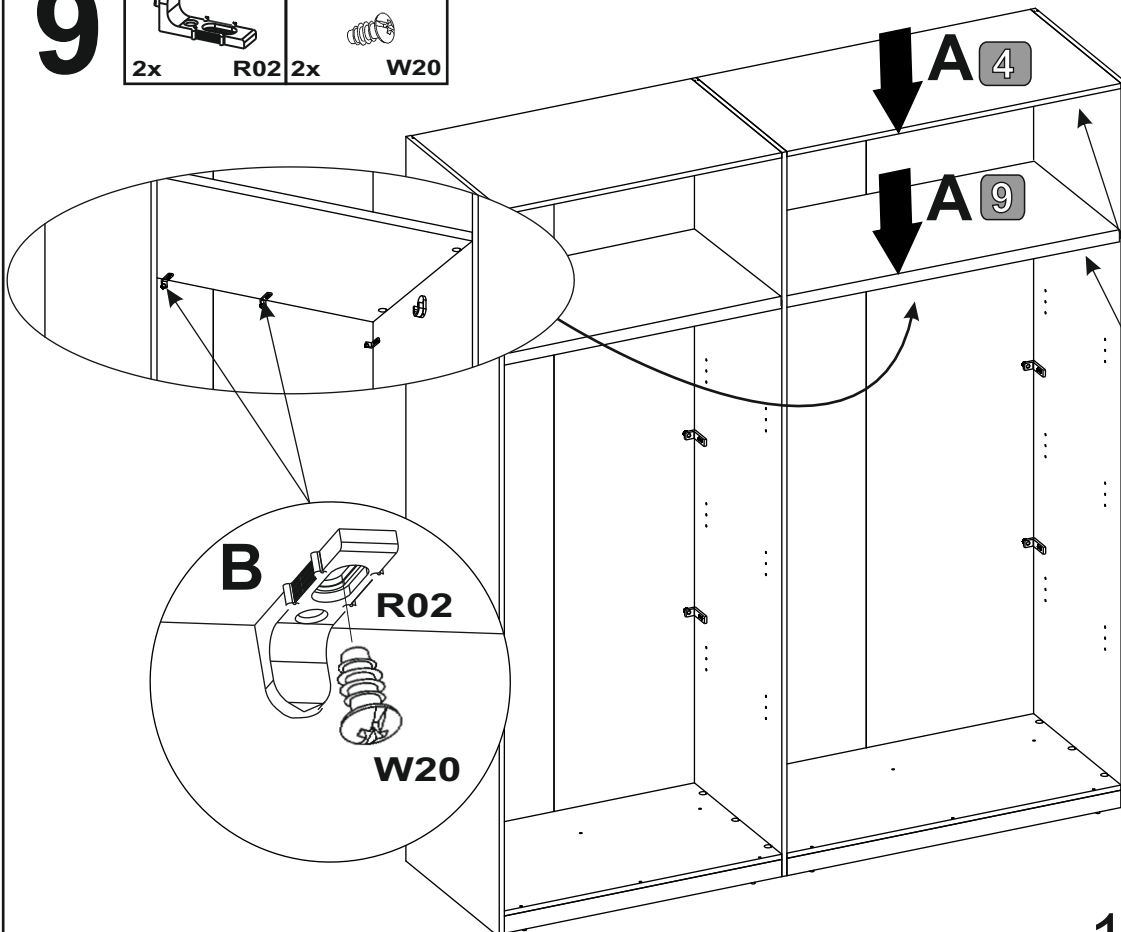
R02

2x



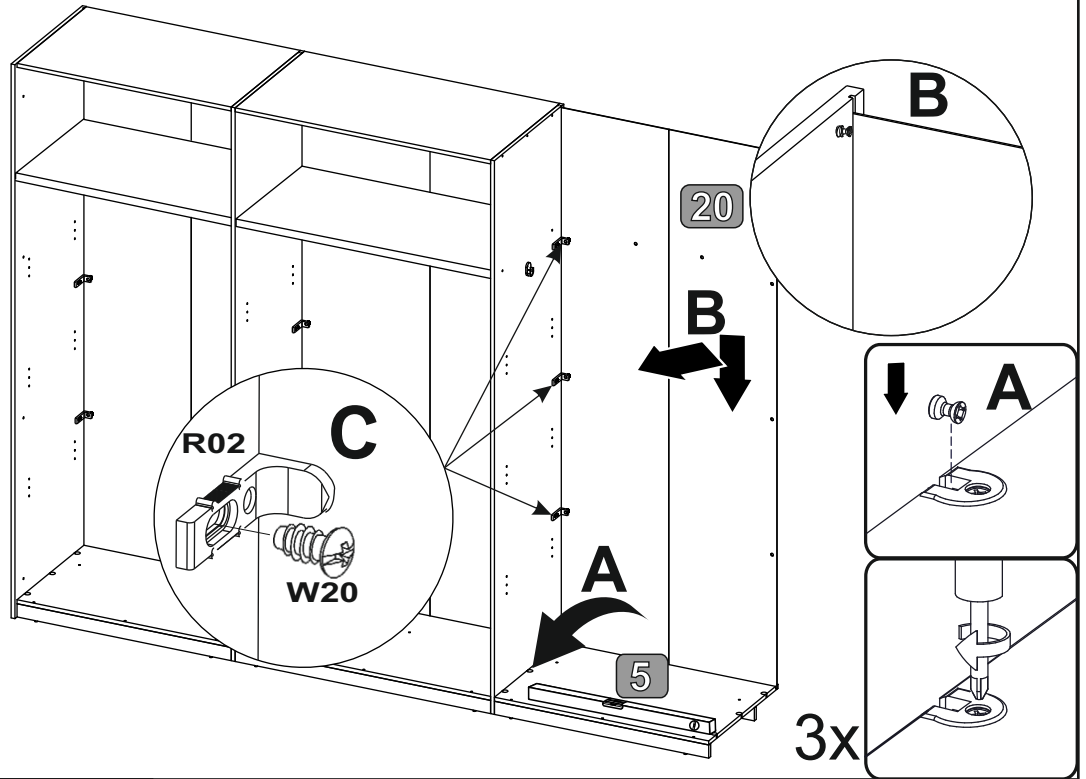
6,3x9,5

W20

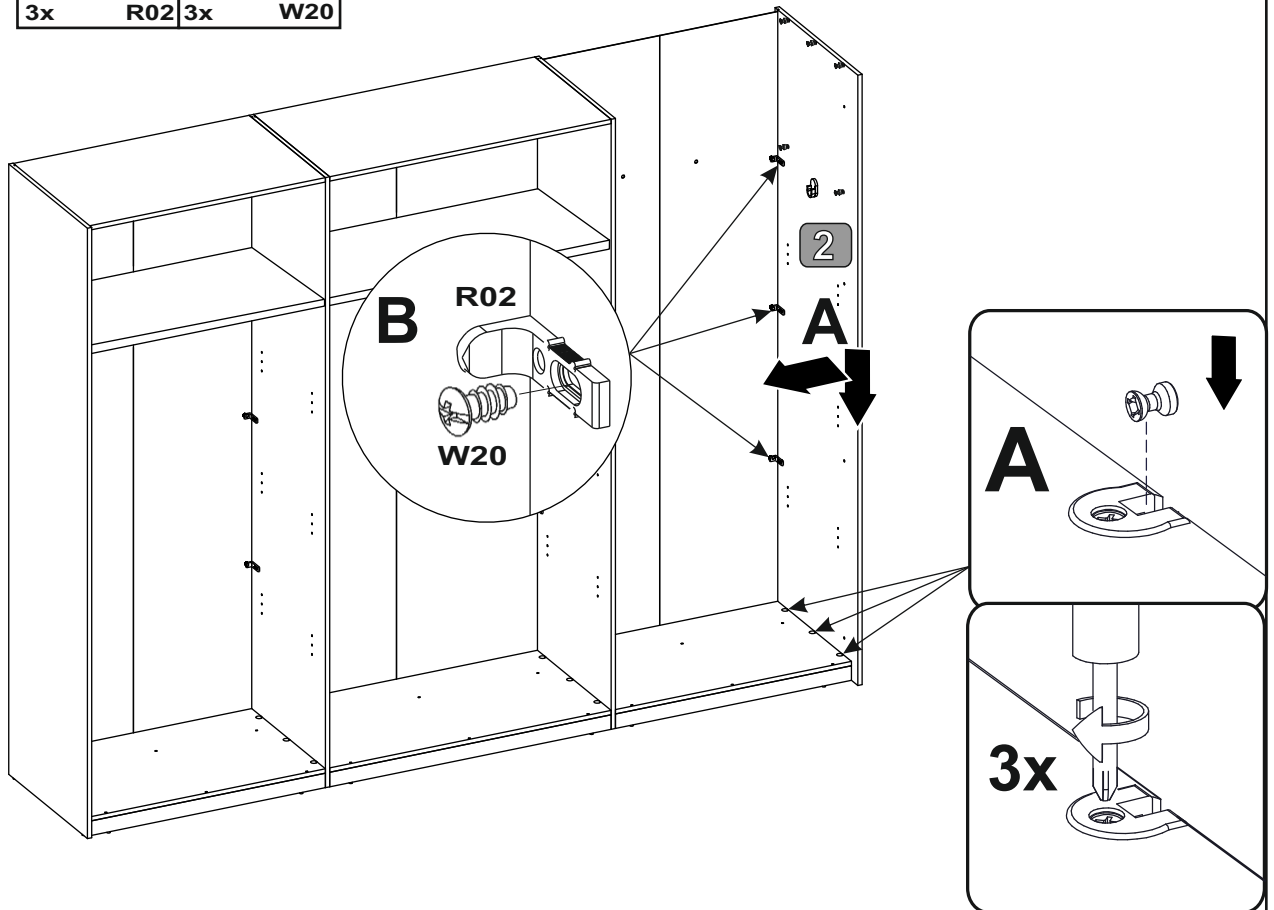
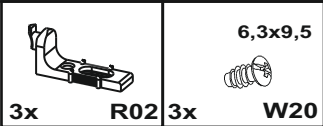


10x

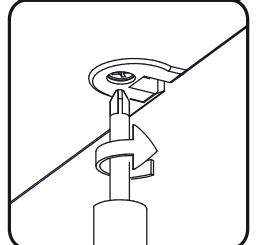
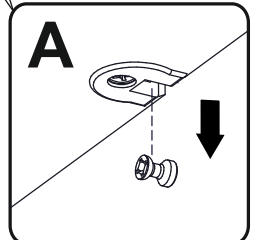
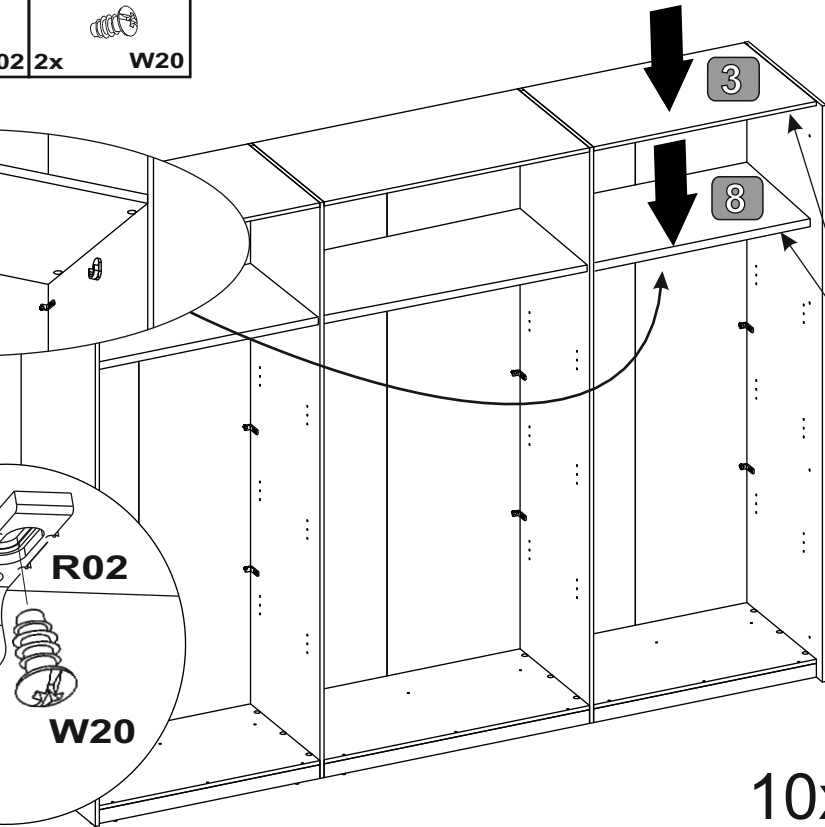
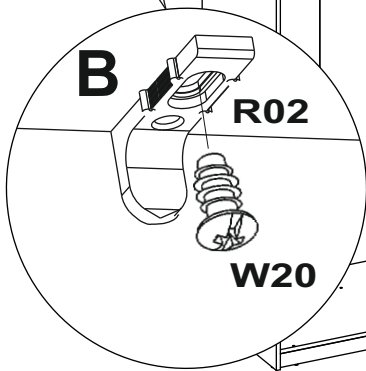
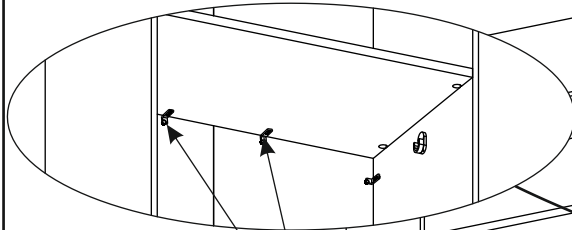
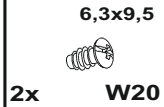
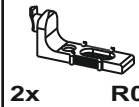
10



11

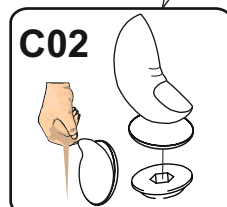
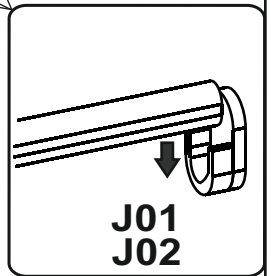
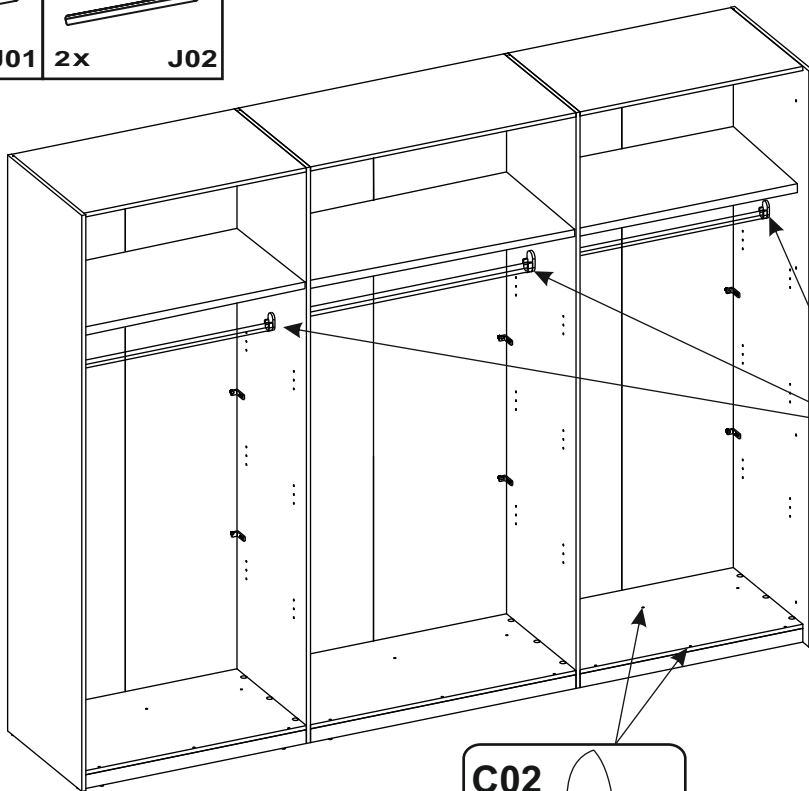
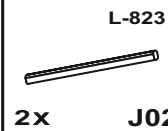
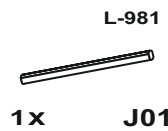


12








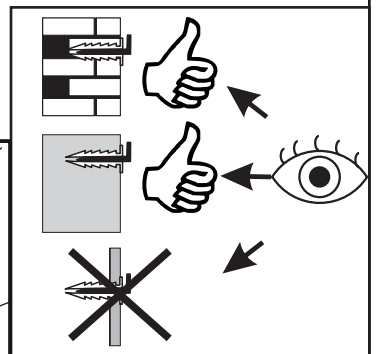
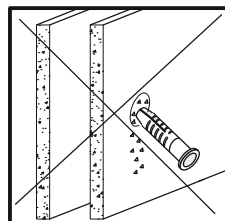
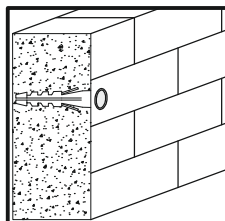
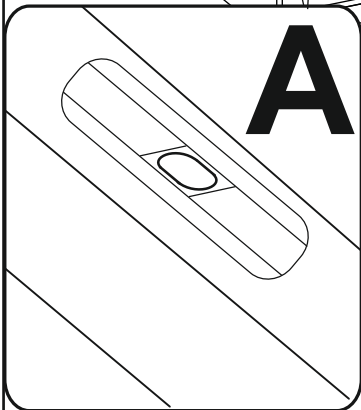
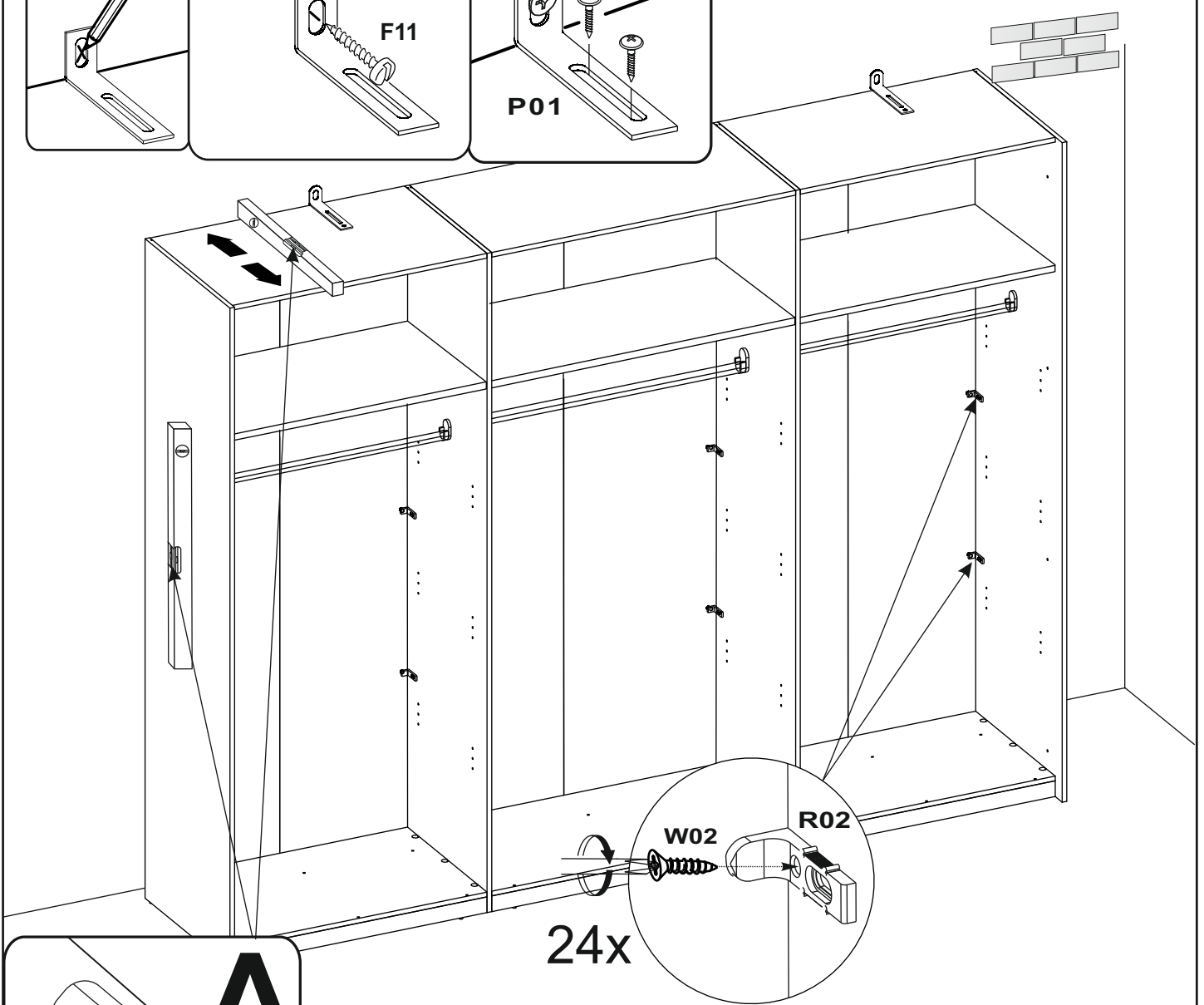
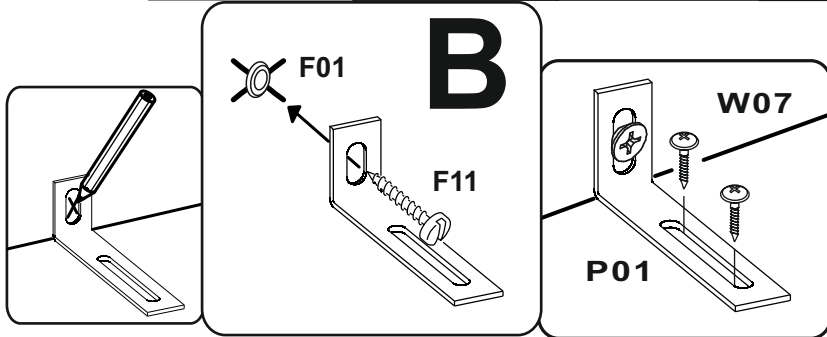
10x

13

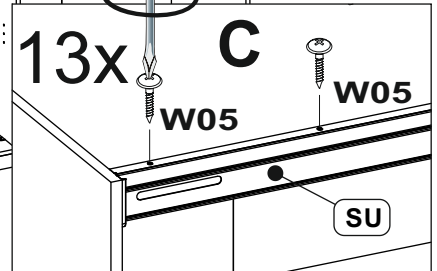
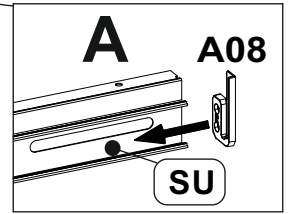
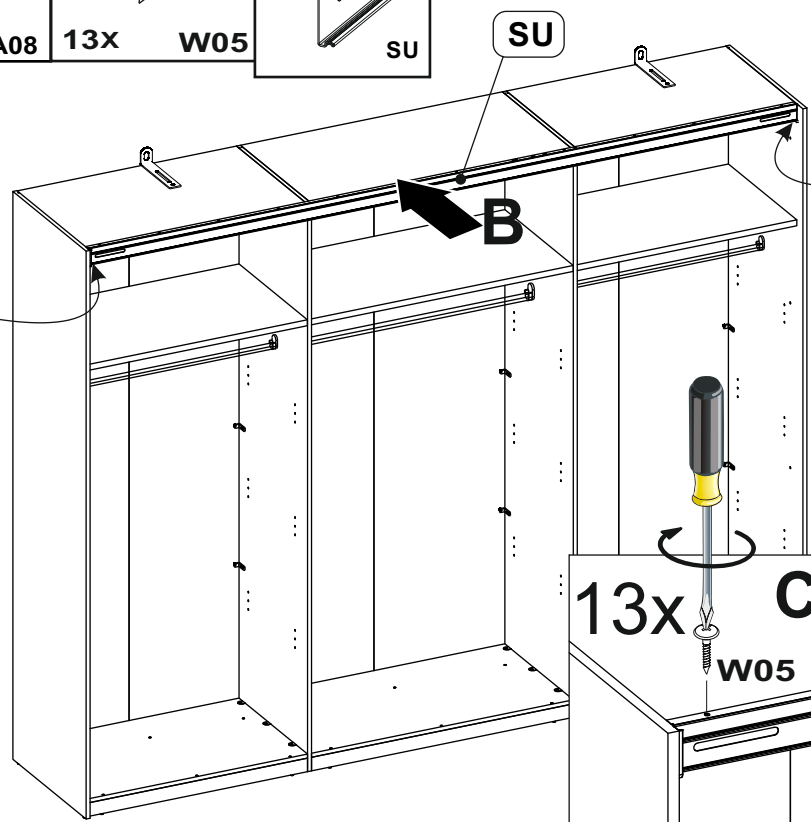
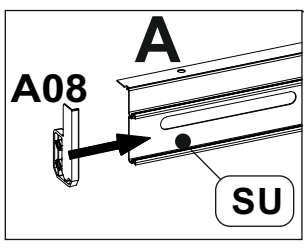
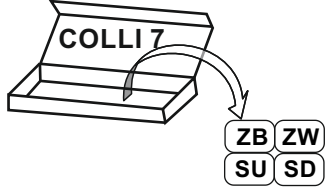
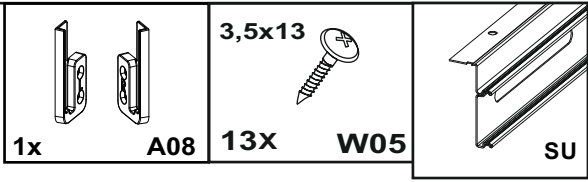


14

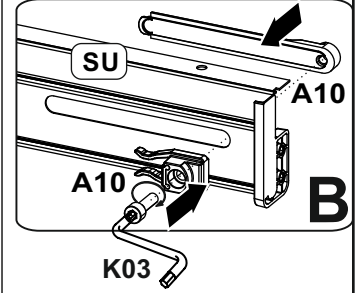
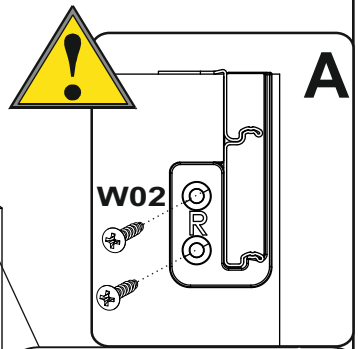
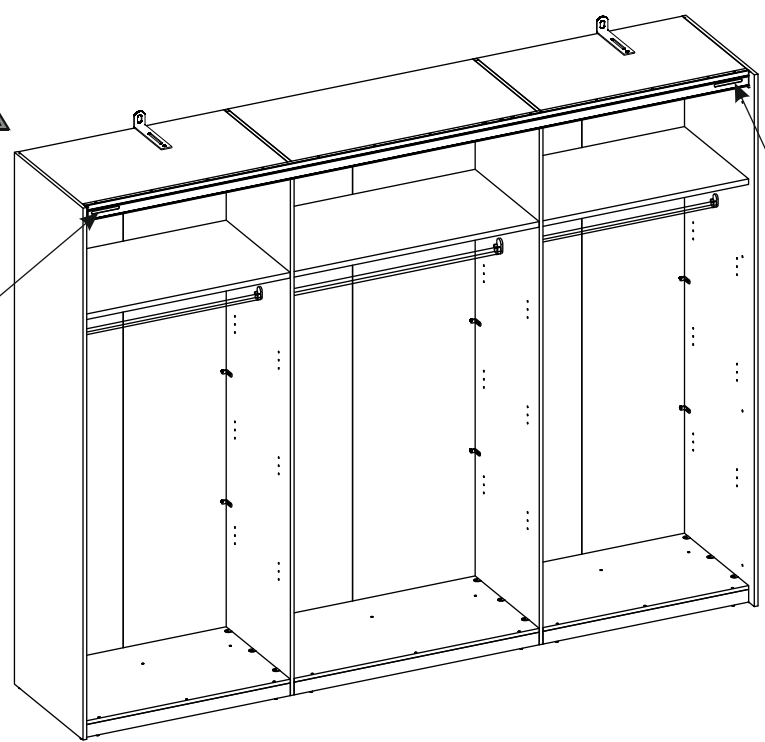
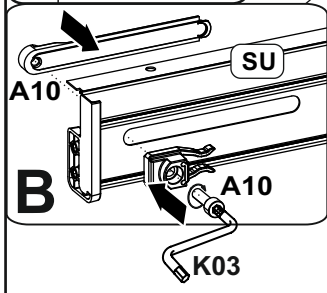
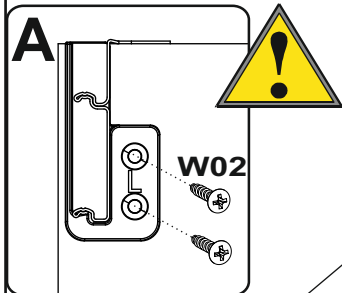
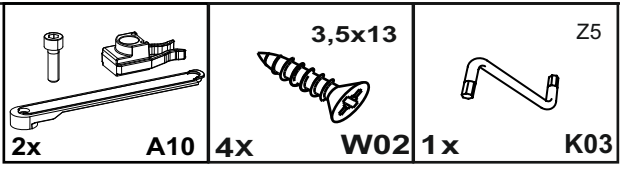
 2x F11	 2x F01	 2x P01	 24x W02	 4x W07
---	---	---	---	---



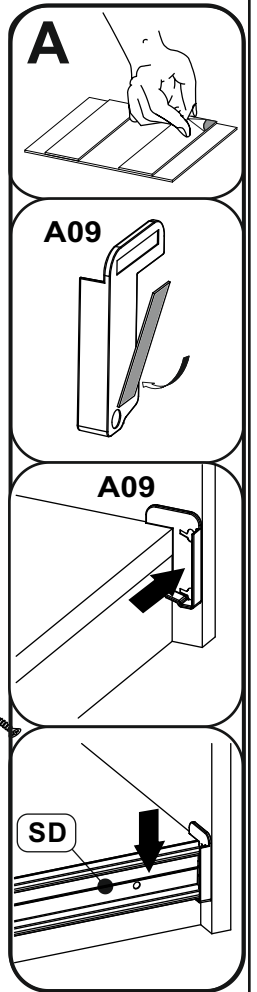
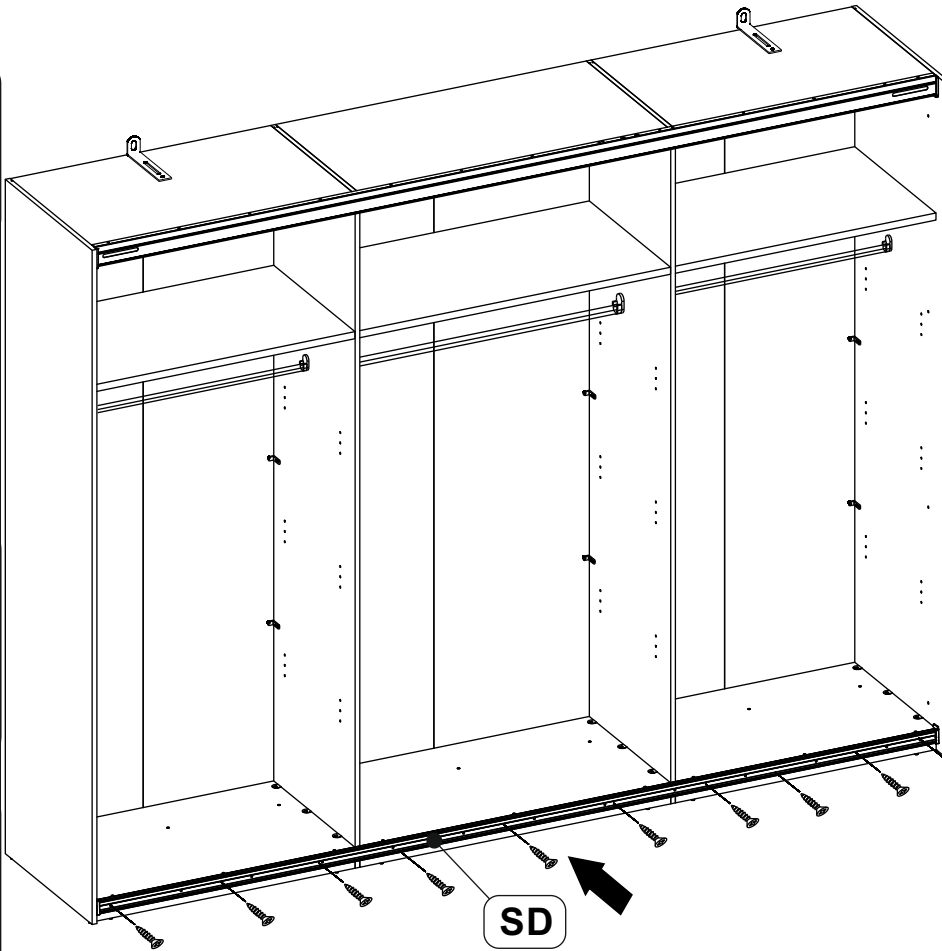
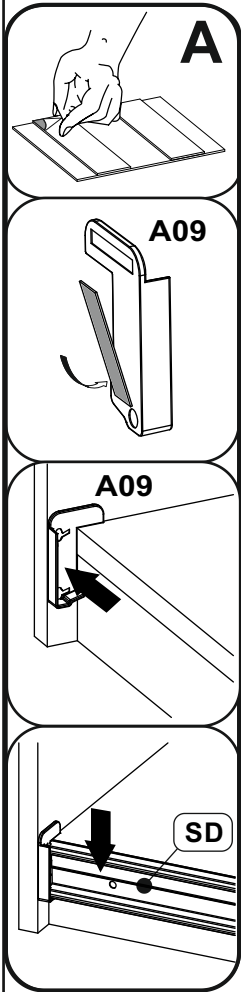
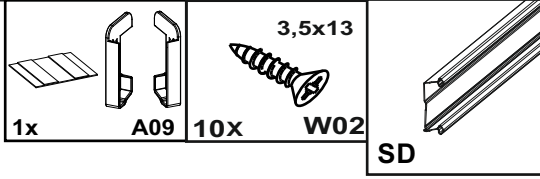
15



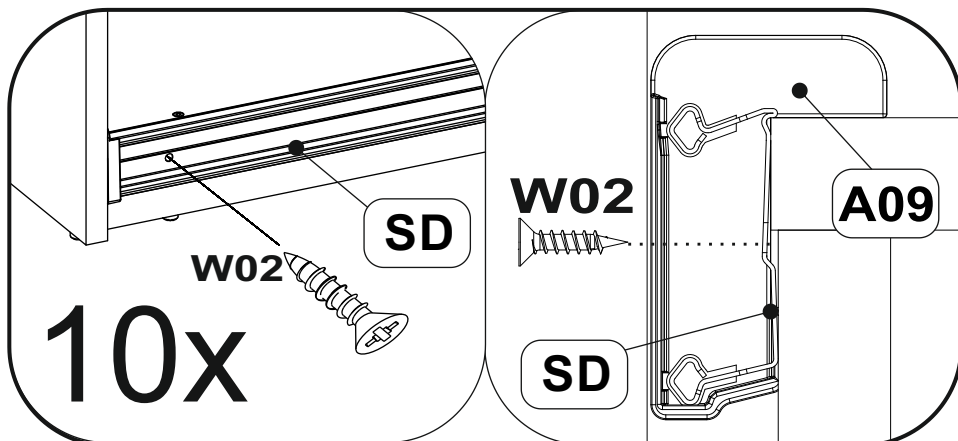
16



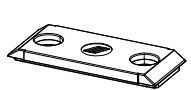
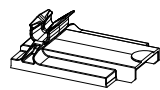

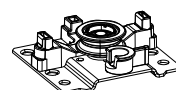
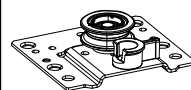
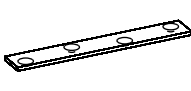

17



B

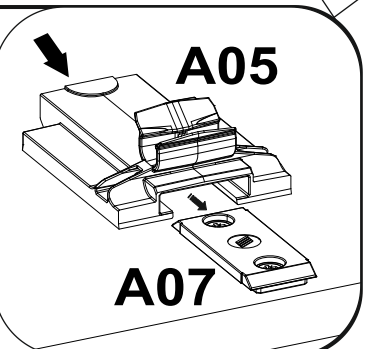
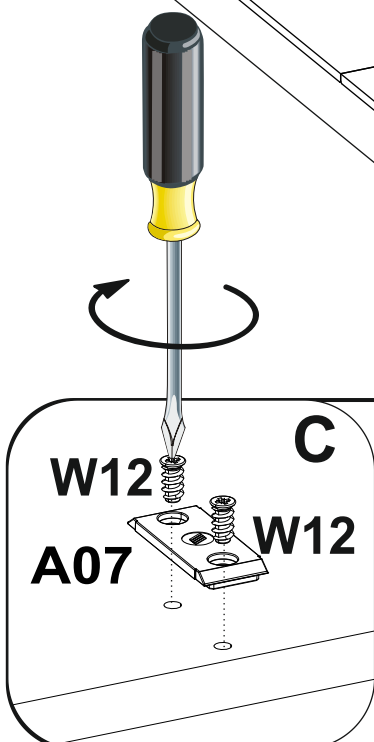
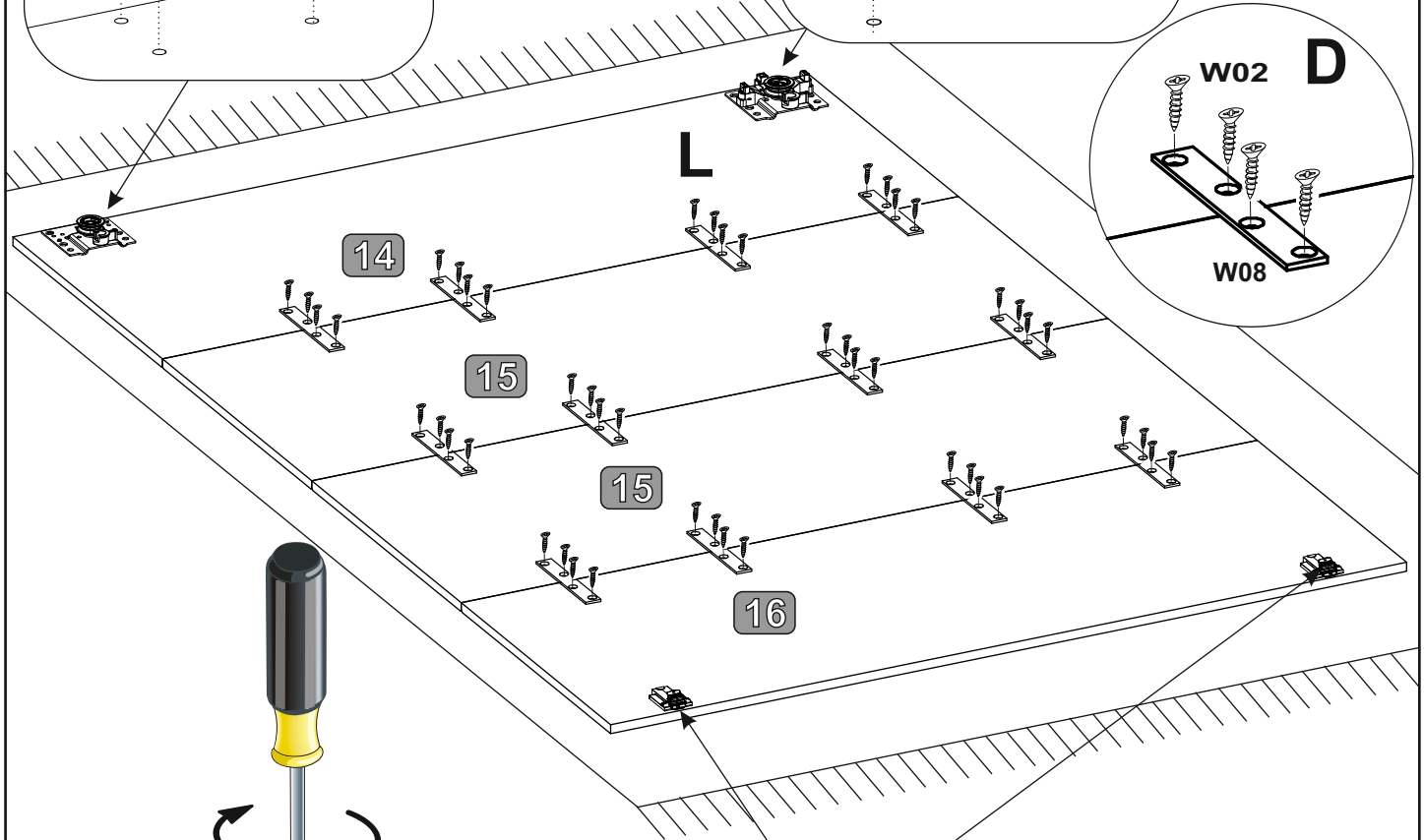
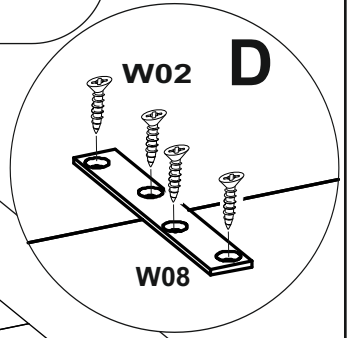
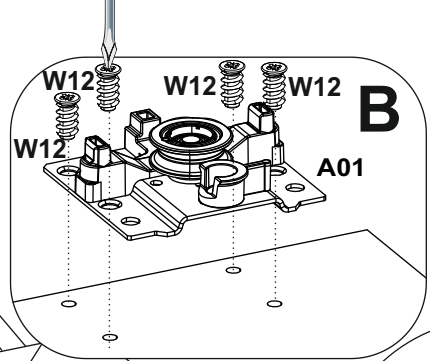
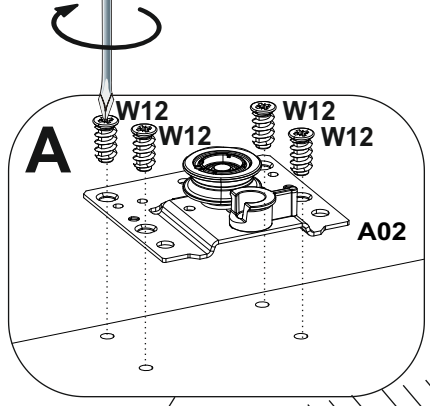


18


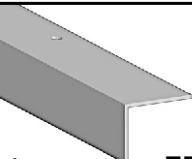
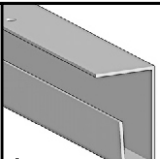
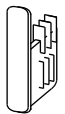
 2x A07	 2x A05	 12x W12	 1x A01	 1x A02
 12x W08	 48x W02			

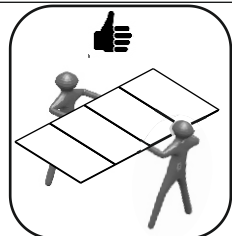
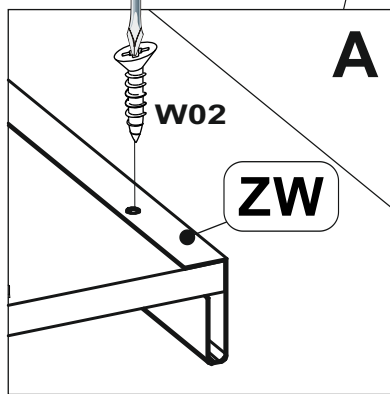
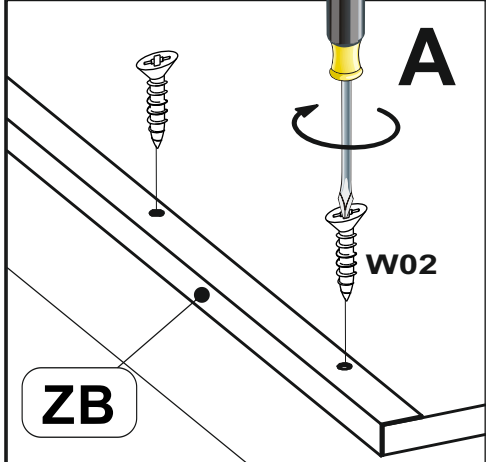
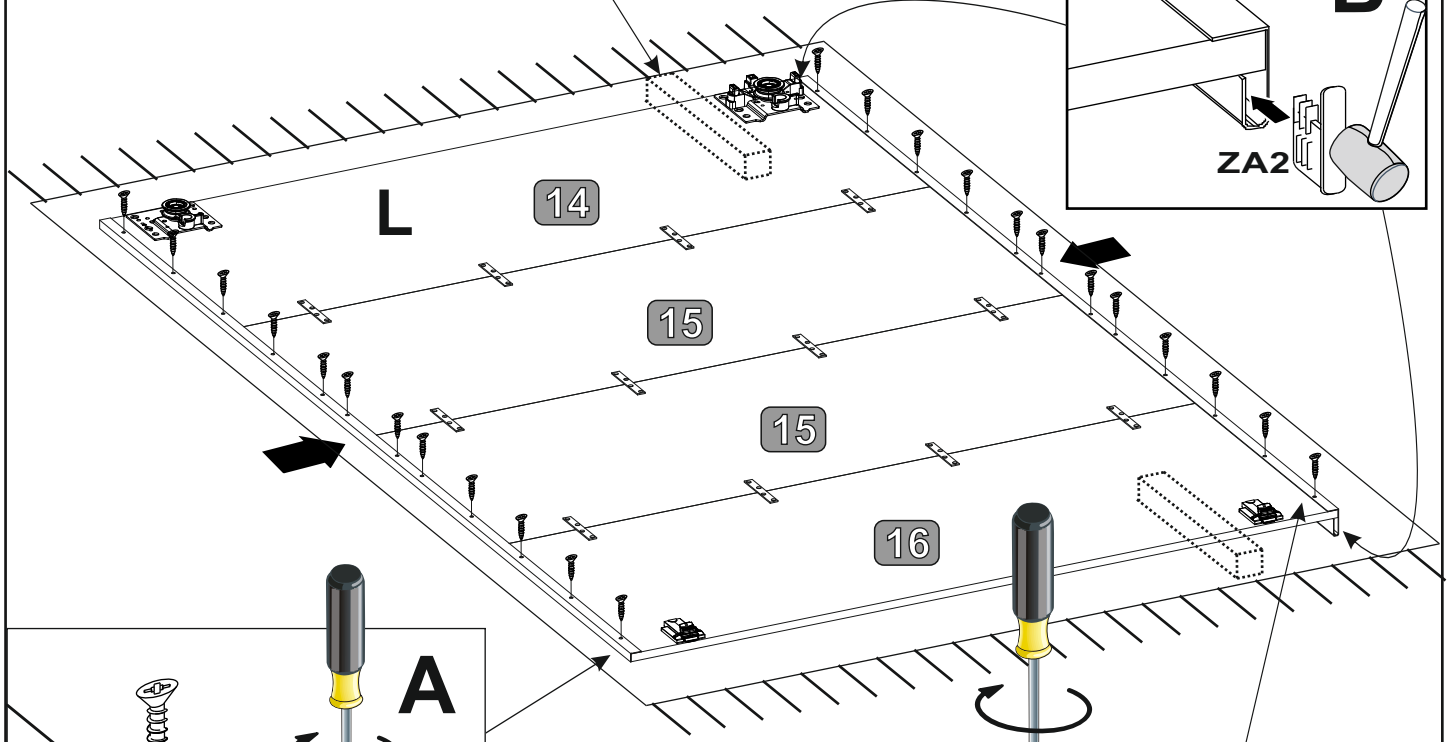
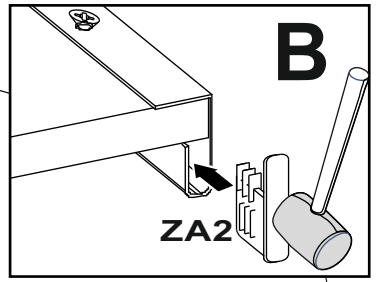
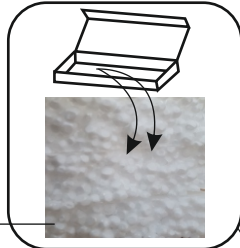
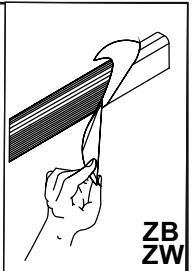


14
15 16



19

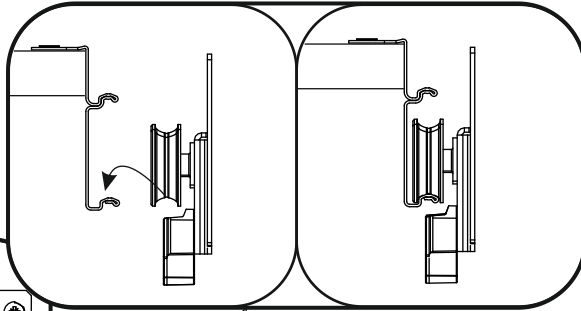
 3,5x13 24X W02	 ZB 1x	 ZW 2x	 H-37 ZA2
--	--	--	---



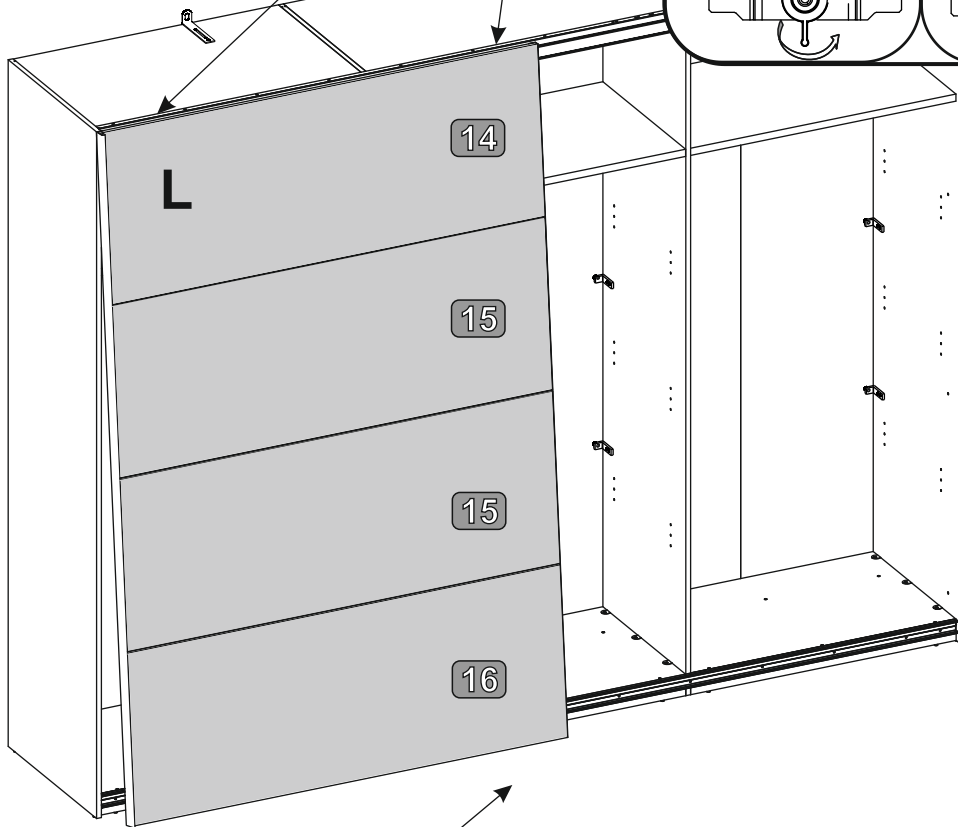
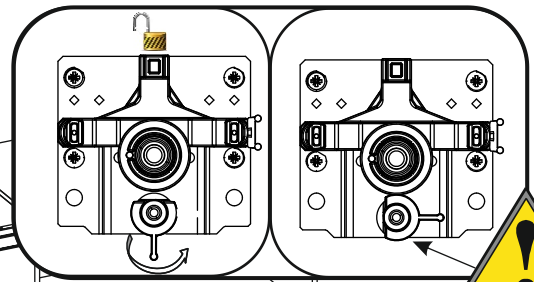
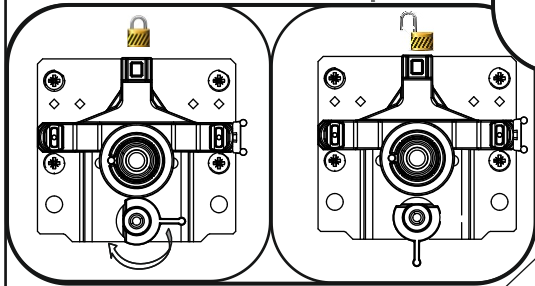
20

B

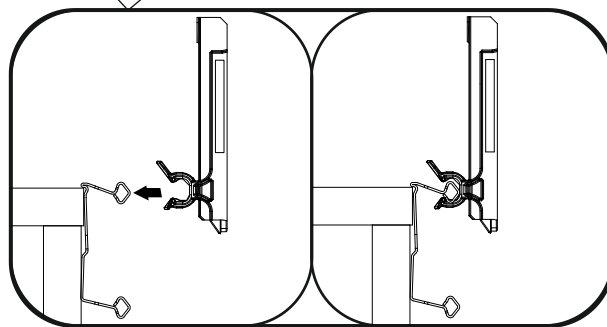
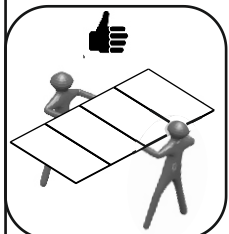
A



D



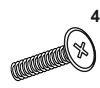
C



21

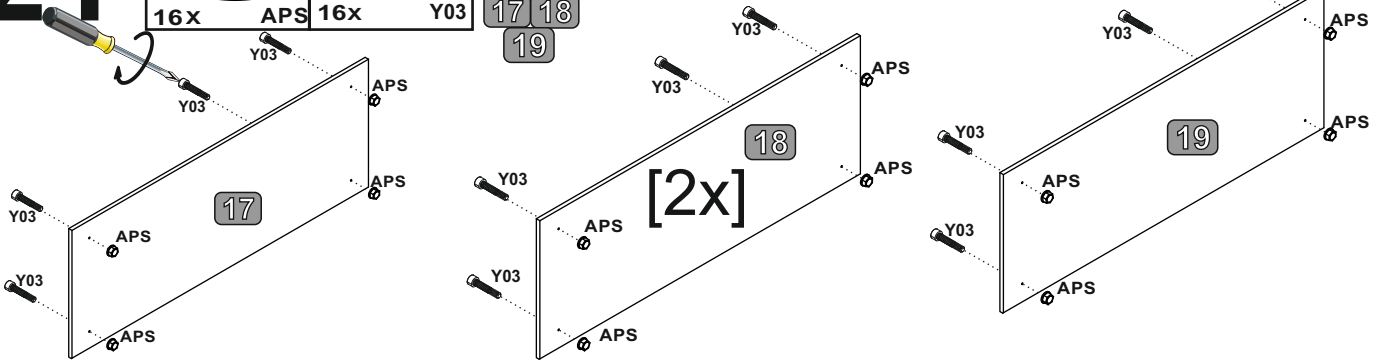


16x APS

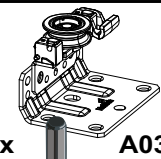


4x22 Y03

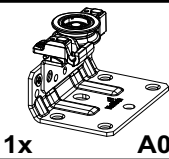
COLLI 6
17 18
19



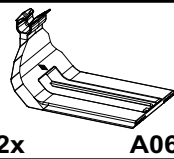
22



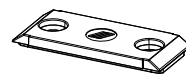
1x A03



1x A04



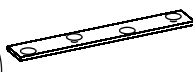
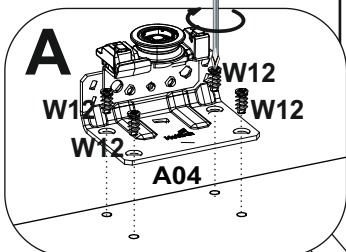
2x A06



2x A07



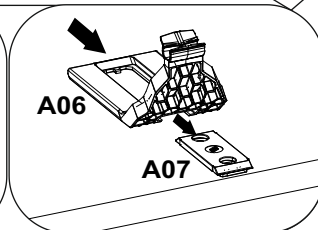
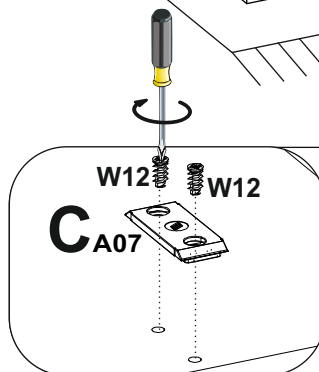
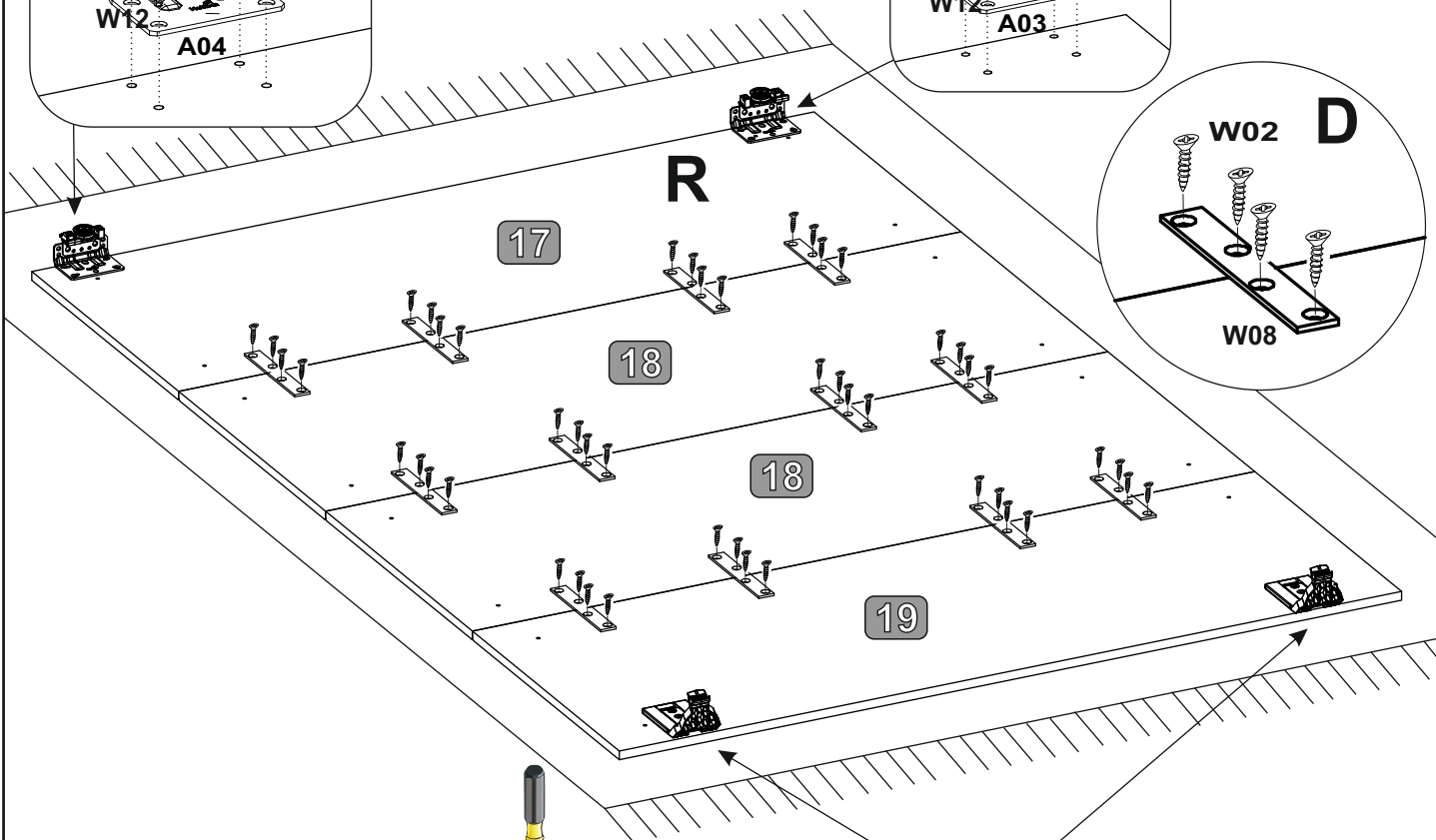
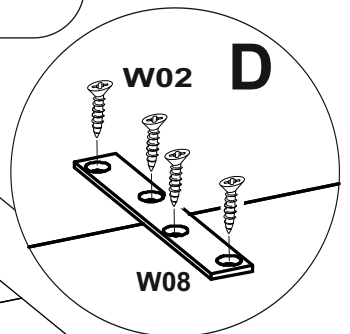
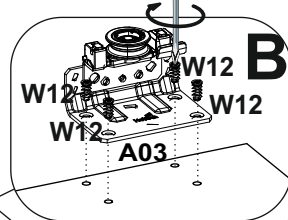
6x11 W12



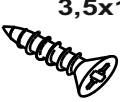
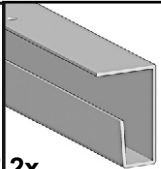
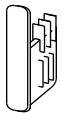
12x W08

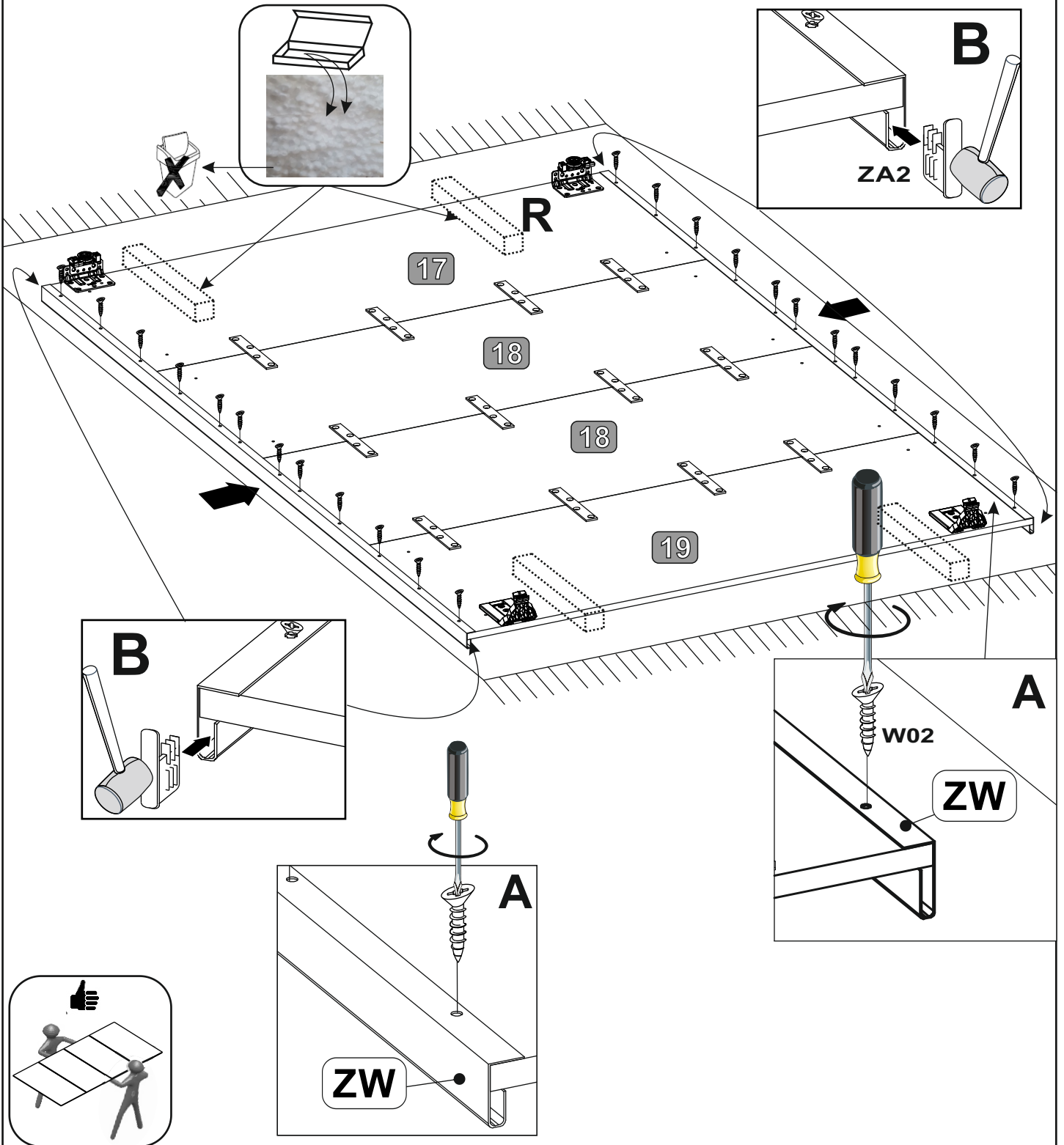
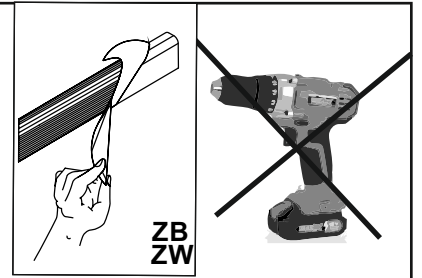


3,5x13 W02



23

 3,5x13 24X W02	 2x ZW	 H-37 4X ZA2
--	--	---



R

17

18

18

19

B


A

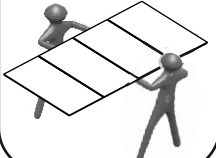
A

W02

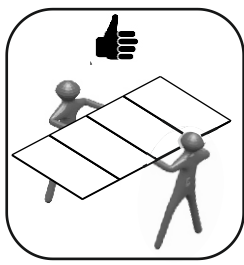
ZW

ZW

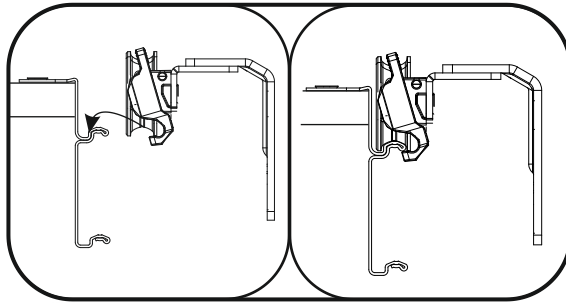




24



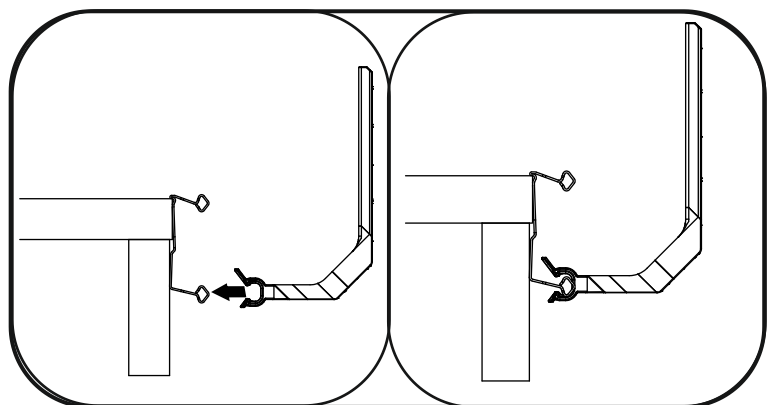
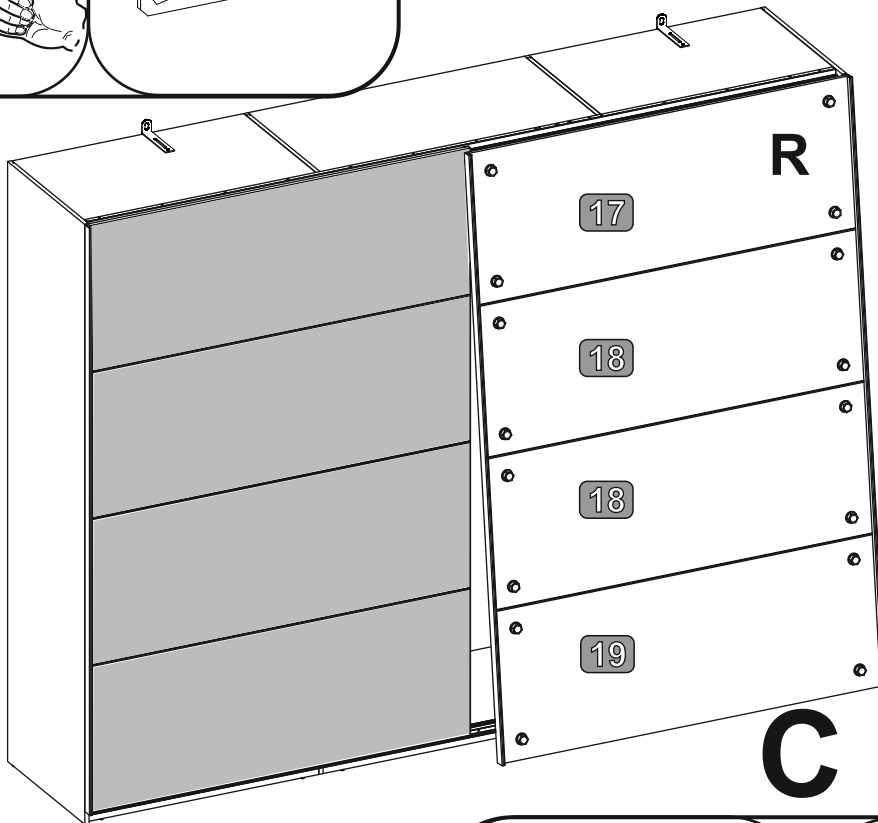
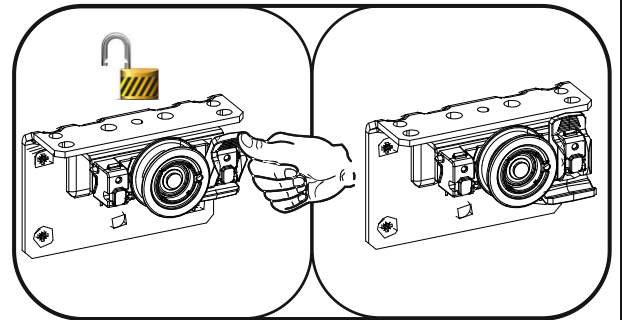
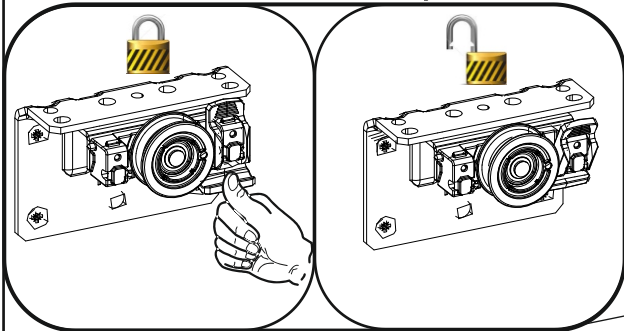
B



D



A



25

