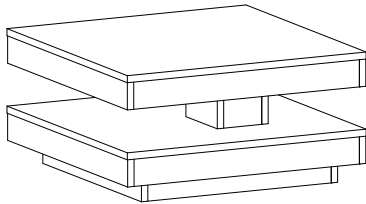
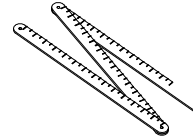
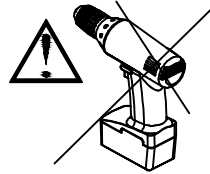
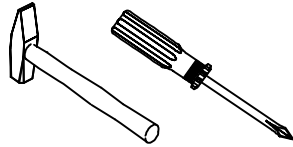
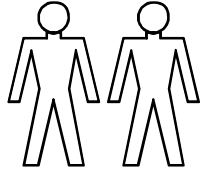
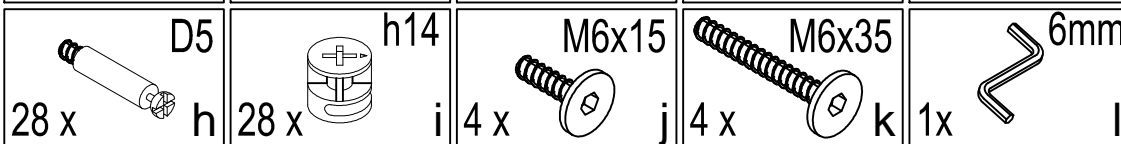
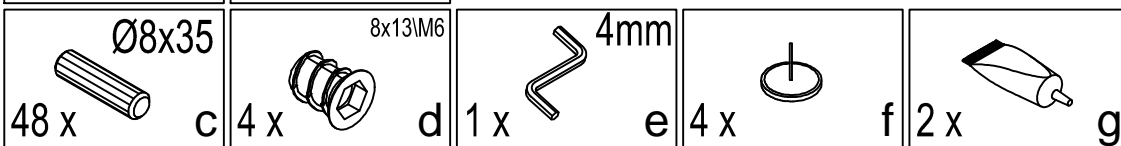
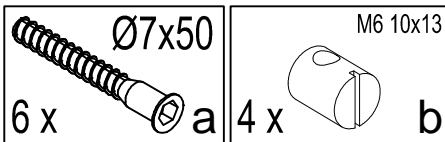
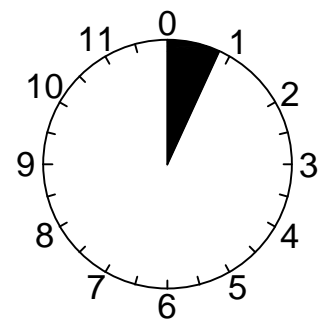
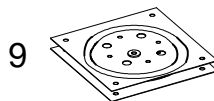
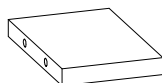
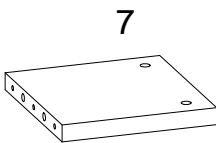
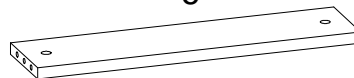
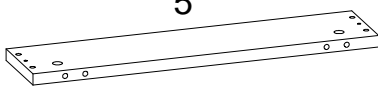
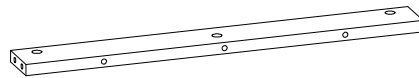
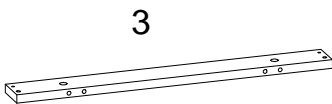
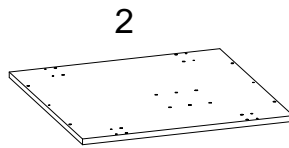
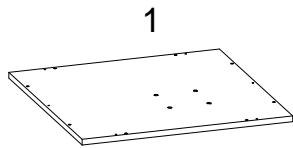
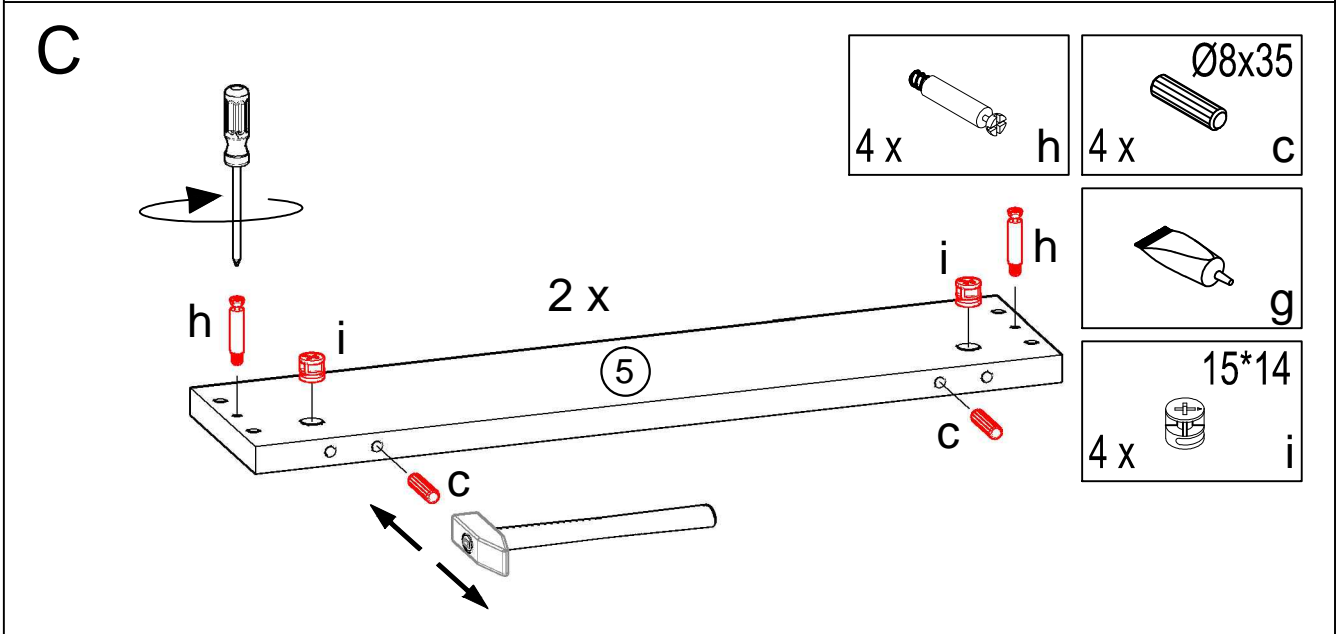
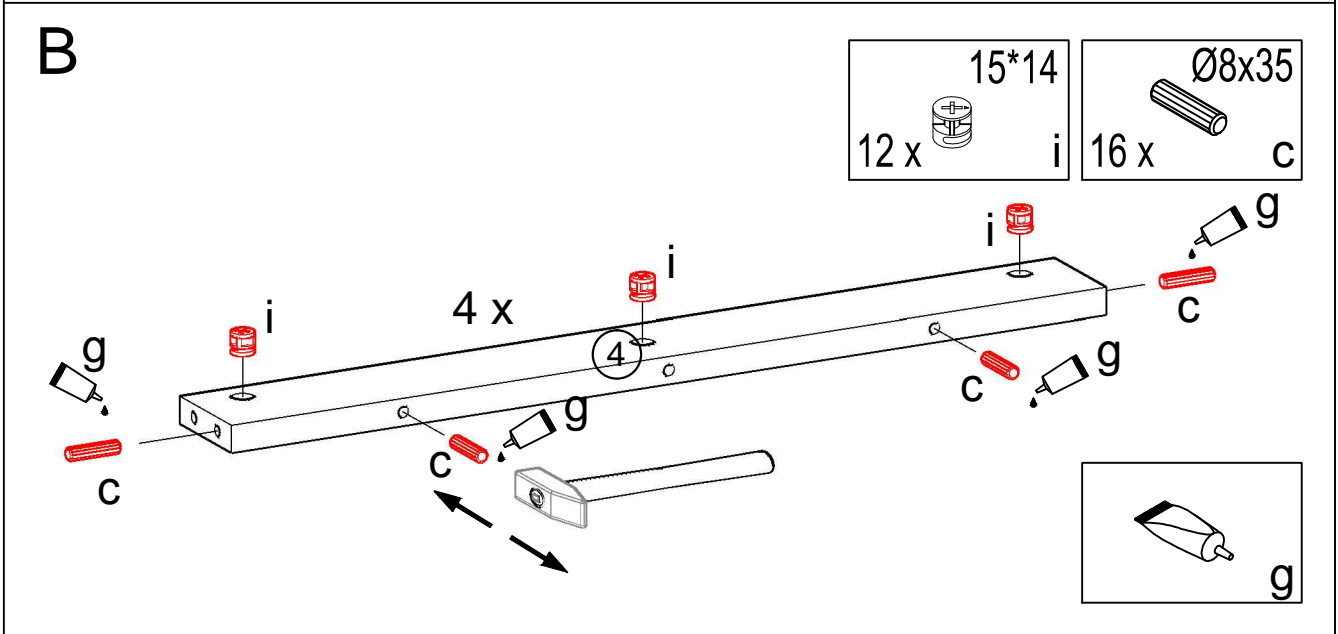
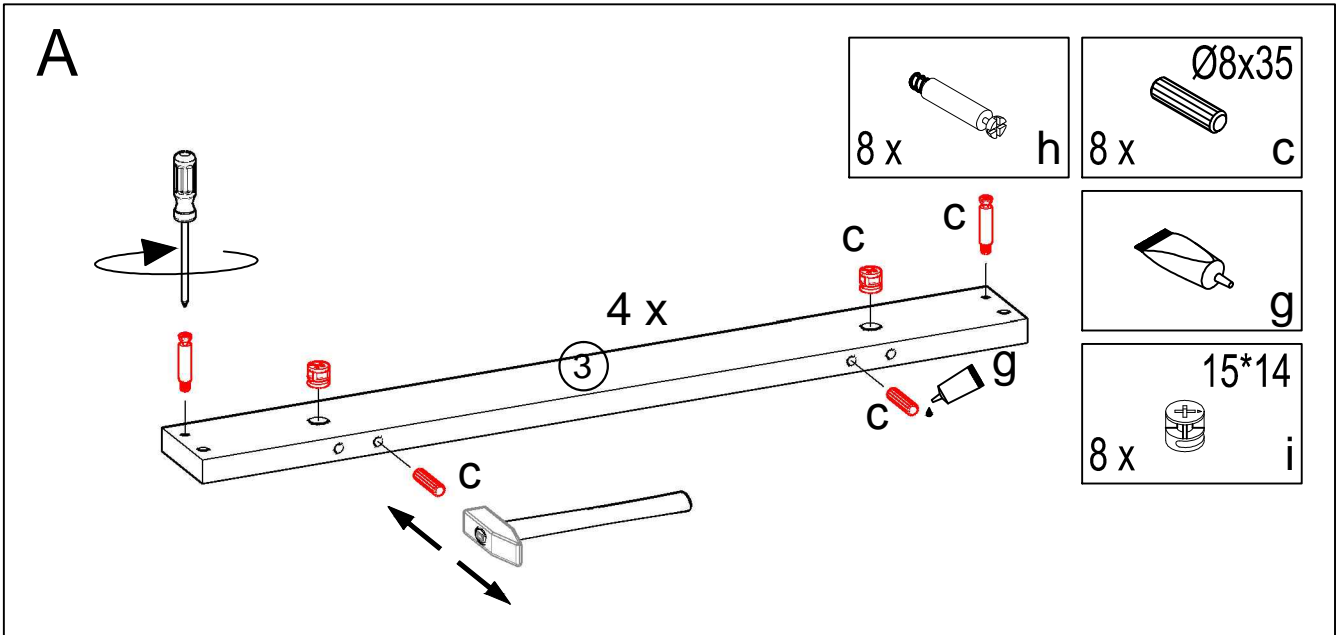


CT ANDY

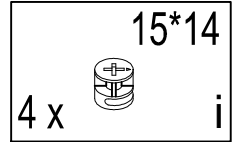
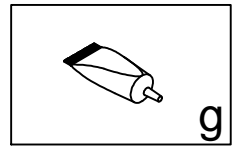
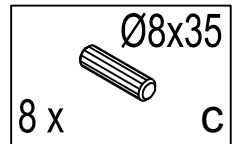
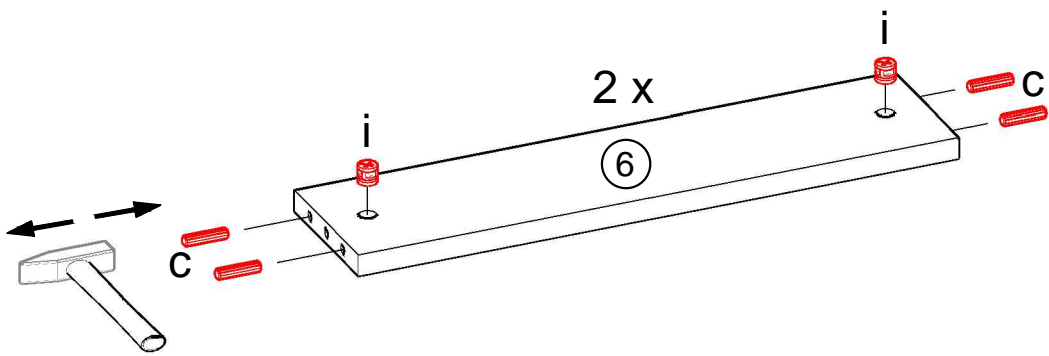


1	1 x
2	1 x
3	4 x
4	4 x
5	2 x
6	2 x
7	2 x
8	2 x
9	1 x

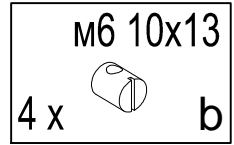
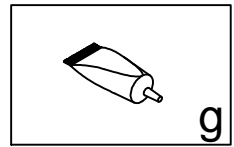
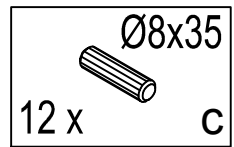
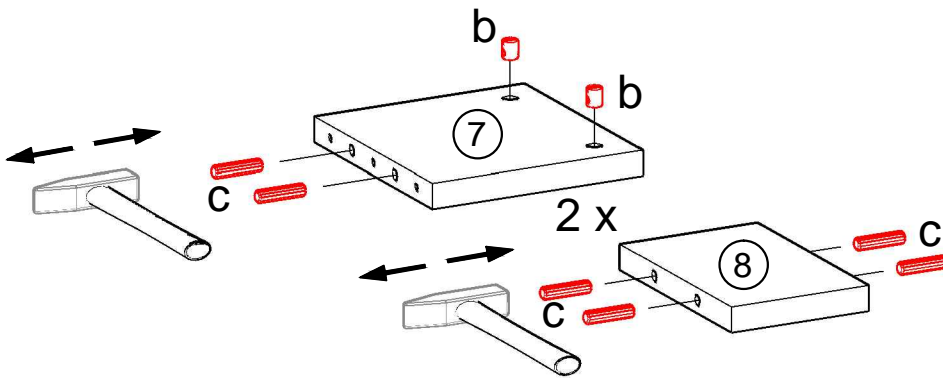




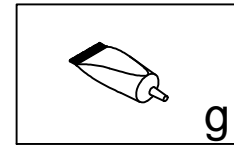
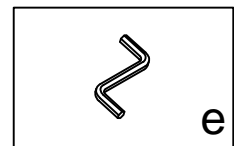
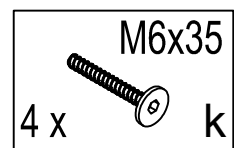
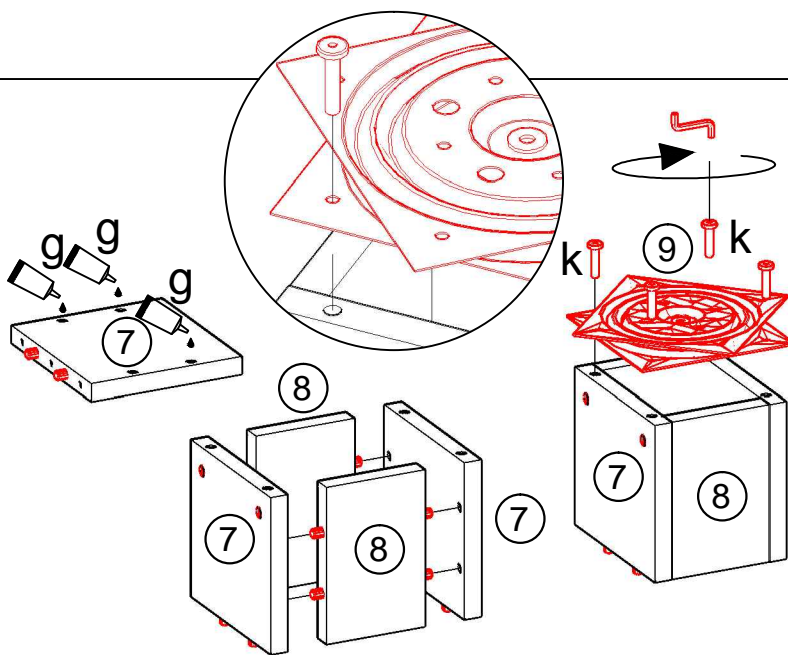
D



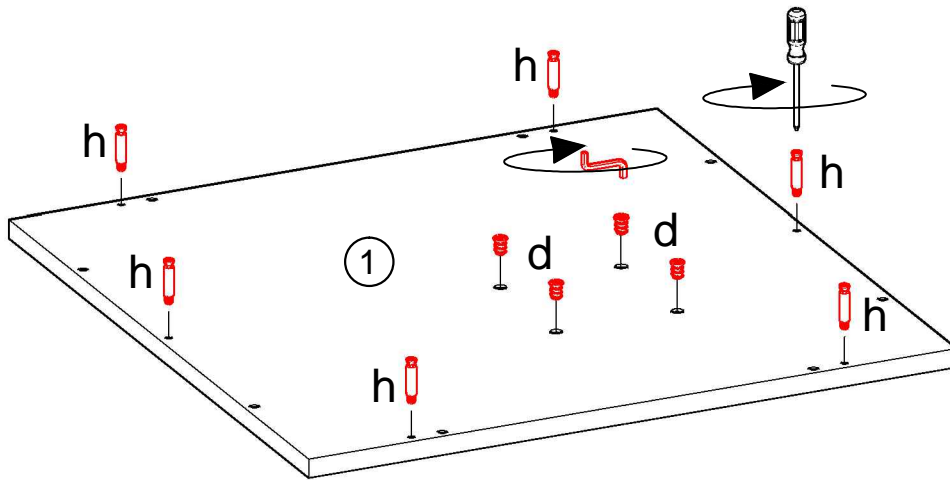
E





F

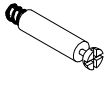


G

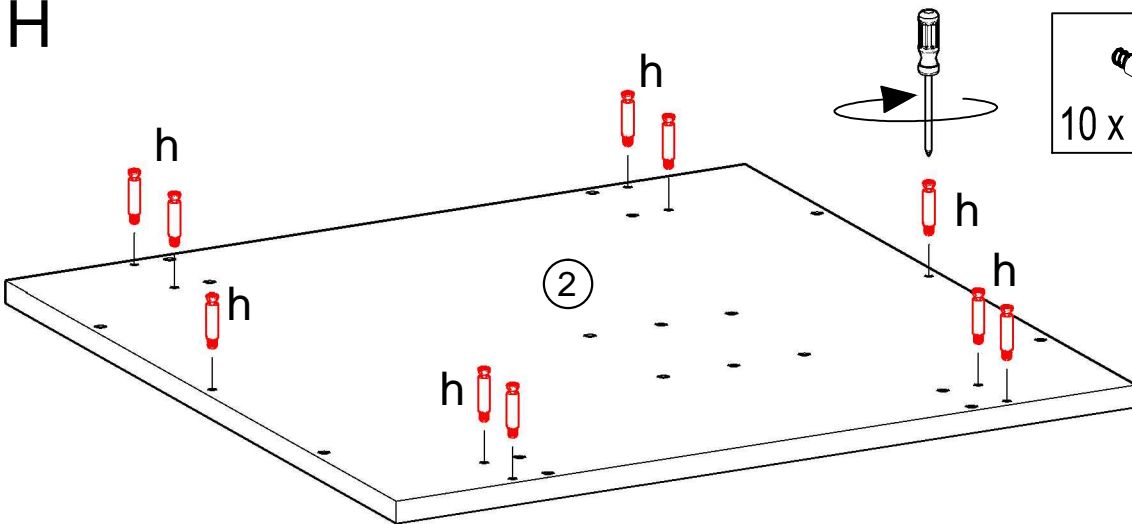


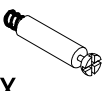
8x13\M6
4 x  d

 e

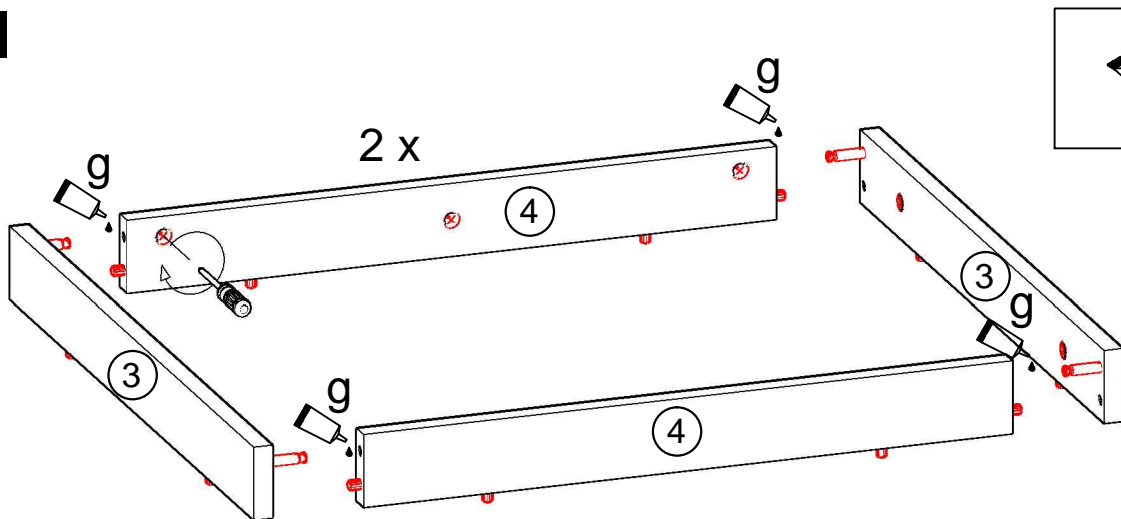
6 x  h


H



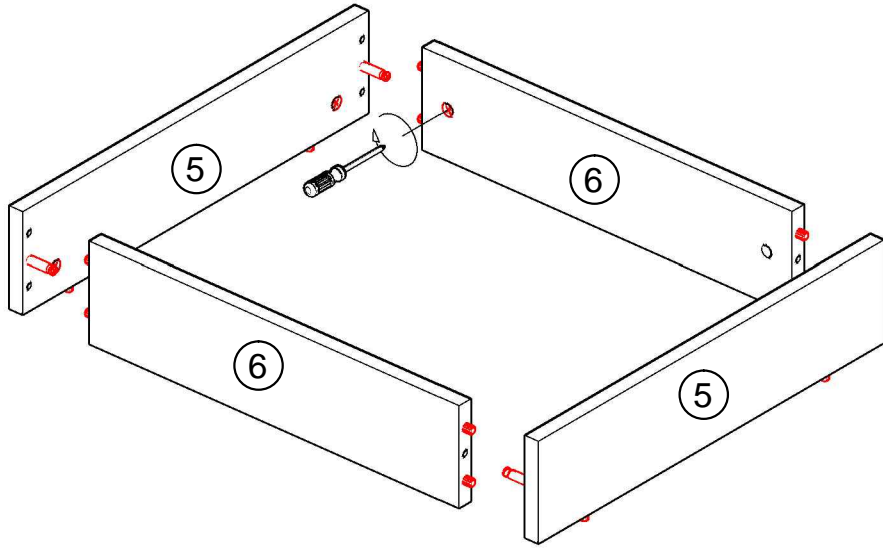
10 x  h

I

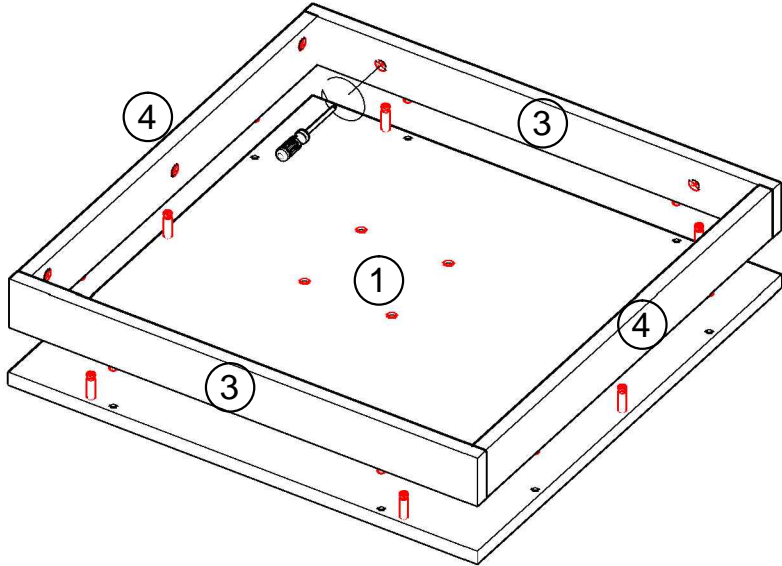


 g

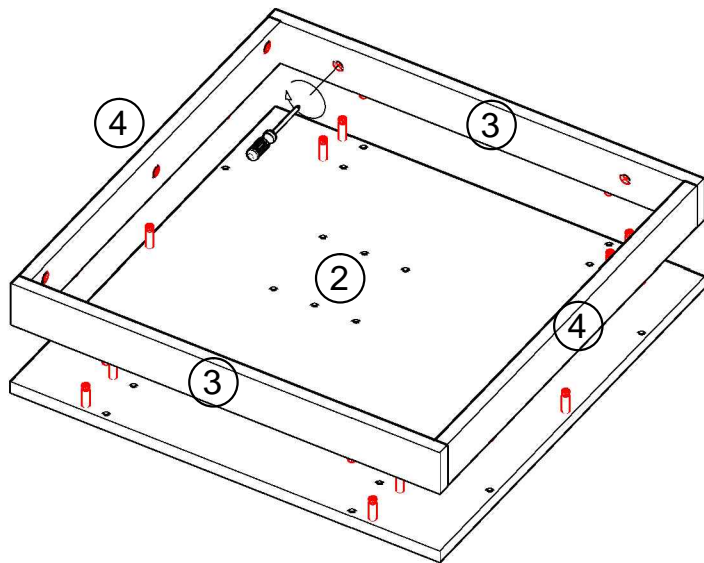
J



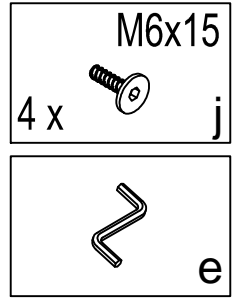
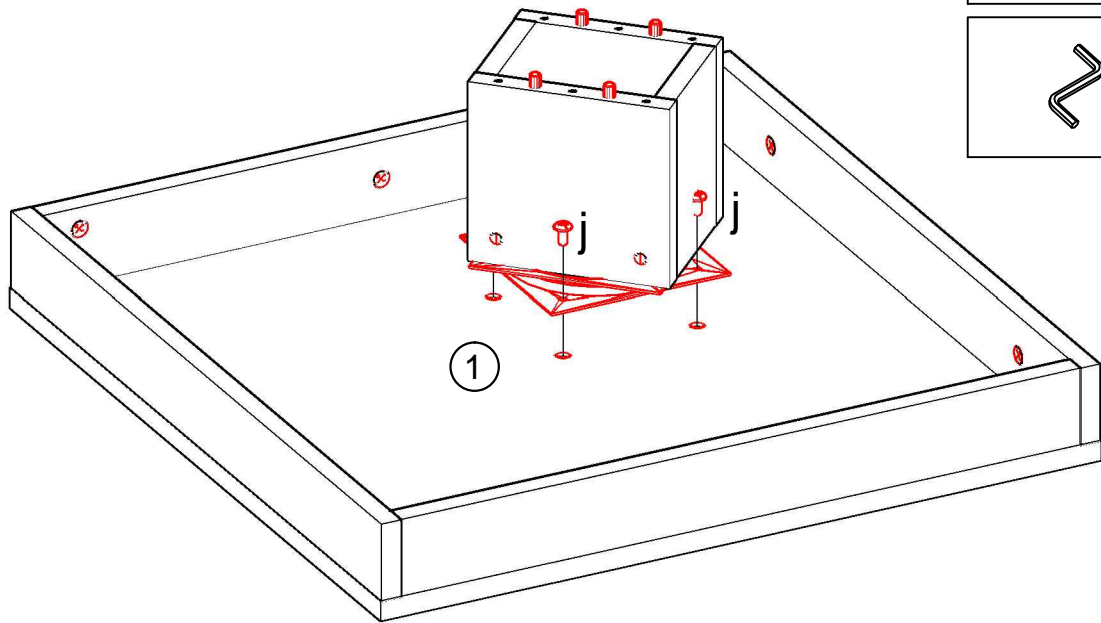
K



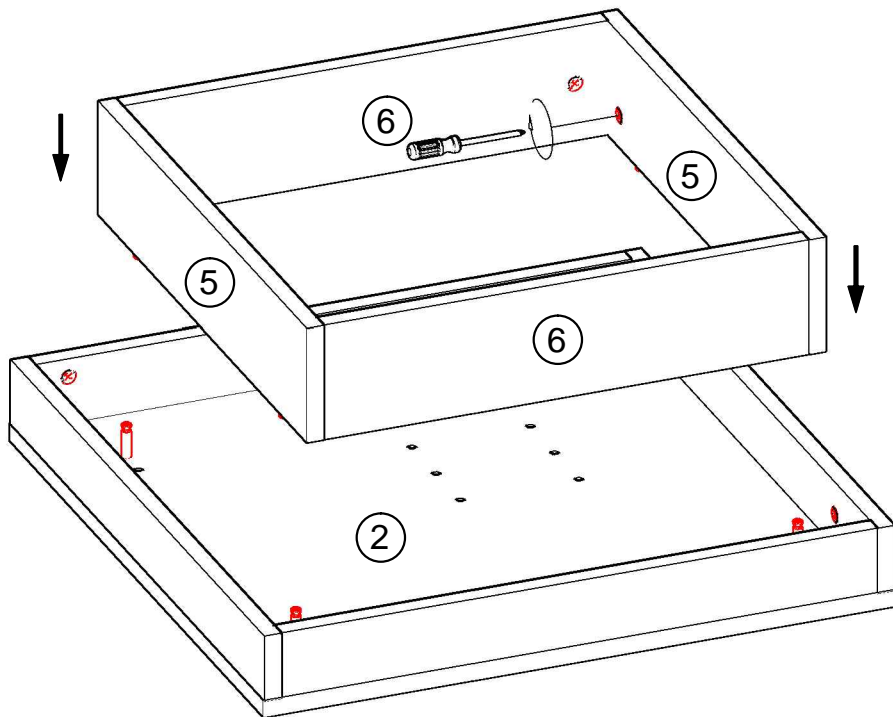
L



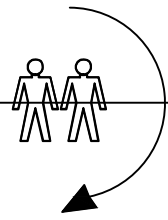
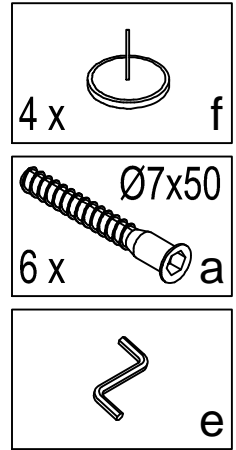
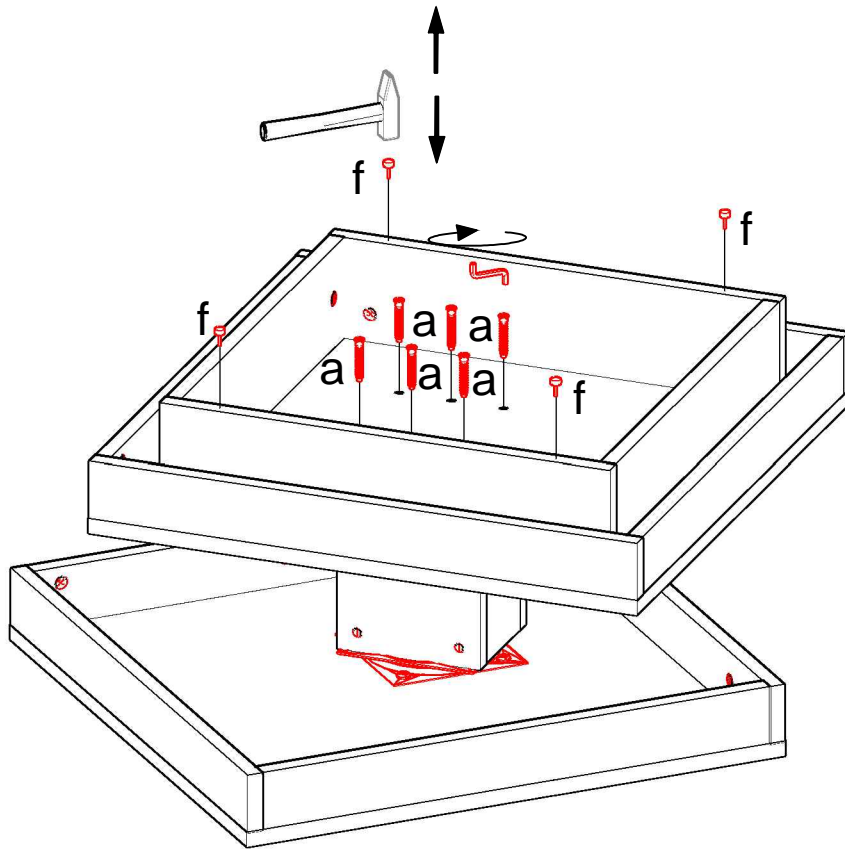
M



N



O



P

